










-  Magnetic Integrated Connector Modules
-  Compliant with IEEE802.3 standard including 350μH OCL with 8mA DC Bias
-  1500Vrms isolation voltage per IEEE802.3
-  Enhanced performance on EMI suppression with metal shield
-  Support various 10/100 transceiver ICs
-  Operating temperature 0°C to +70°C
-  Symmetrical TX and RX channels which is suitable for Auto MDI/MDIX application
-  UL 1863 listed
-  RoHS compliant versions are available



GENERAL ELECTRICAL SPECIFICATION @ 25°C

Insertion Loss (dB Max)	Return Loss (dB Min)				CMRR (dB Min)			Crosstalk (dB Min)	Hipot (Vrms)
	1-30MHz	40MHz	50MHz	60-80MHz	32MHz	62MHz	100MHz		
0.1-100MHz	1-30MHz	40MHz	50MHz	60-80MHz	32MHz	62MHz	100MHz	0.1-100MHz	
1.0	16.0	14.0	13.0	12.0	42.0	37.0	33.0	35.0	1500

PART NUMBER TABLE

Part Number ¹	RoHS Part Number	Turn Ratio (Chip : Cable) (±3%)		Configuration ²		LED ³ (Left / Right)	Mechanical Package	Schematic
		Tx	Rx	Tx	Rx			
MJ-11D2GYA0-H30Y	MJR11D2GYA0-H30Y	1CT:1CT	1CT:1CT	TC	TC	G / Y	MJ11D-01A	H30Y
MJ-11D2GYA0-H33D	MJR11D2GYA0-H33D	1CT:1CT	1CT:1CT	TC	TC	G / Y	MJ11D-01A	H33D
MJ-11D2GYA0-H34F	MJR11D2GYA0-H34F	1CT:1CT	1CT:1CT	TC	TC	G / Y	MJ11D-01A	H34F
MJ-11D2GYA0-K30Y ⁵	MJR11D2GYA0-K30Y	1CT:1CT	1CT:1CT	TC	TC	G / Y	MJ11D-01A	K30Y
MJ-11D2GYA0-K33D ⁵	MJR11D2GYA0-K33D	1CT:1CT	1CT:1CT	TC	TC	G / Y	MJ11D-01A	K33D
MJ-11D2GYA1-H30Y	MJR11D2GYA1-H30Y	1CT:1CT	1CT:1CT	TC	TC	G / Y	MJ11D-01B	H30Y
MJ-11D2GYA1-H33D	MJR11D2GYA1-H33D	1CT:1CT	1CT:1CT	TC	TC	G / Y	MJ11D-01B	H33D
MJ-11D2GYA1-H34F	MJR11D2GYA1-H34F	1CT:1CT	1CT:1CT	TC	TC	G / Y	MJ11D-01B	H34F
MJ-11D2GYA1-K30Y ⁵	MJR11D2GYA1-K30Y	1CT:1CT	1CT:1CT	TC	TC	G / Y	MJ11D-01B	K30Y
MJ-11D2GYA1-K33D ⁵	MJR11D2GYA1-K33D	1CT:1CT	1CT:1CT	TC	TC	G / Y	MJ11D-01B	K33D
MJ-11D2NNA0-H30Y	MJR11D2NNA0-H30Y	1CT:1CT	1CT:1CT	TC	TC	—	MJ11D-01C	H30Y
MJ-11D2NNA0-H33D	MJR11D2NNA0-H33D	1CT:1CT	1CT:1CT	TC	TC	—	MJ11D-01C	H33D
MJ-11D2NNA0-H34F	MJR11D2NNA0-H34F	1CT:1CT	1CT:1CT	TC	TC	—	MJ11D-01C	H34F
MJ-11D2NNA0-K30Y ⁵	MJR11D2NNA0-K30Y	1CT:1CT	1CT:1CT	TC	TC	—	MJ11D-01C	K30Y
MJ-11D2NNA0-K33D ⁵	MJR11D2NNA0-K33D	1CT:1CT	1CT:1CT	TC	TC	—	MJ11D-01C	K33D

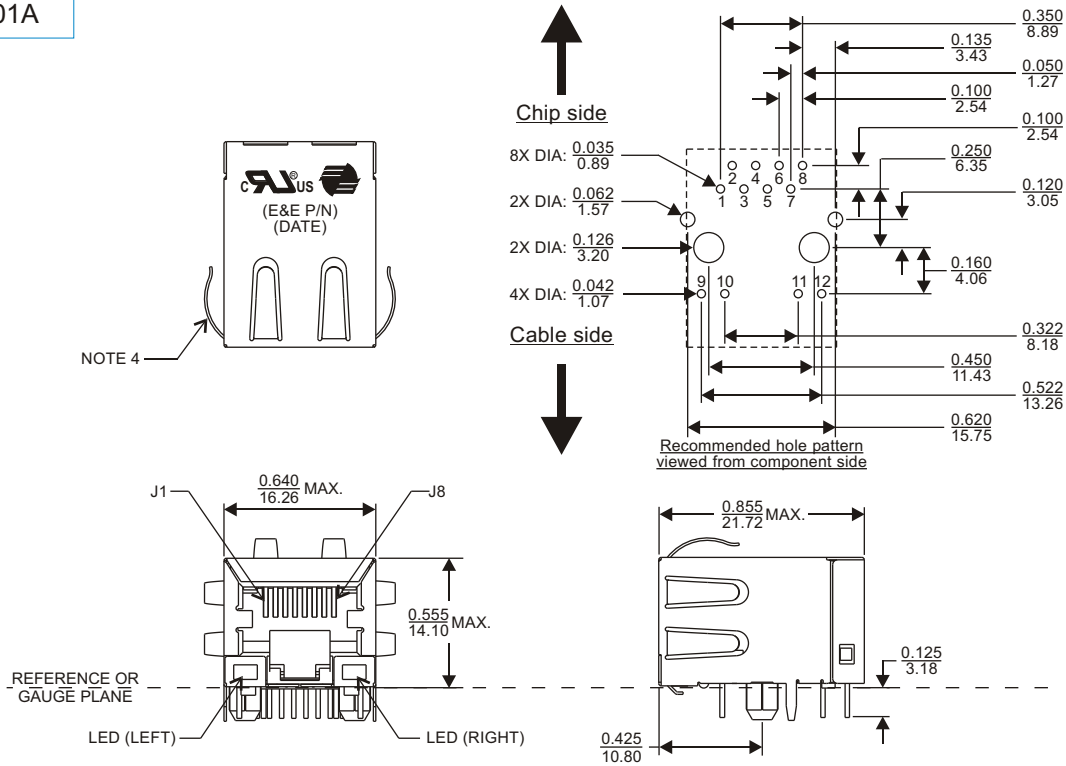
Notes:

- For different electrical and mechanical specifications, please contact E&E Magnetic Products Limited.
- Core location are counted from PCB (Chip) side to Cable (Media) side, where:
"T" = Isolation transformer ; "C" = Common-mode choke ;
- LEDs (Left / Right) : "G" = Green ; "Y" = Yellow ; "—" = None. For different LED color requirements, please contact E&E Magnetic Products Limited.
- Panel tabs are optional.
- Operating temperature: -40°C to +85°C.

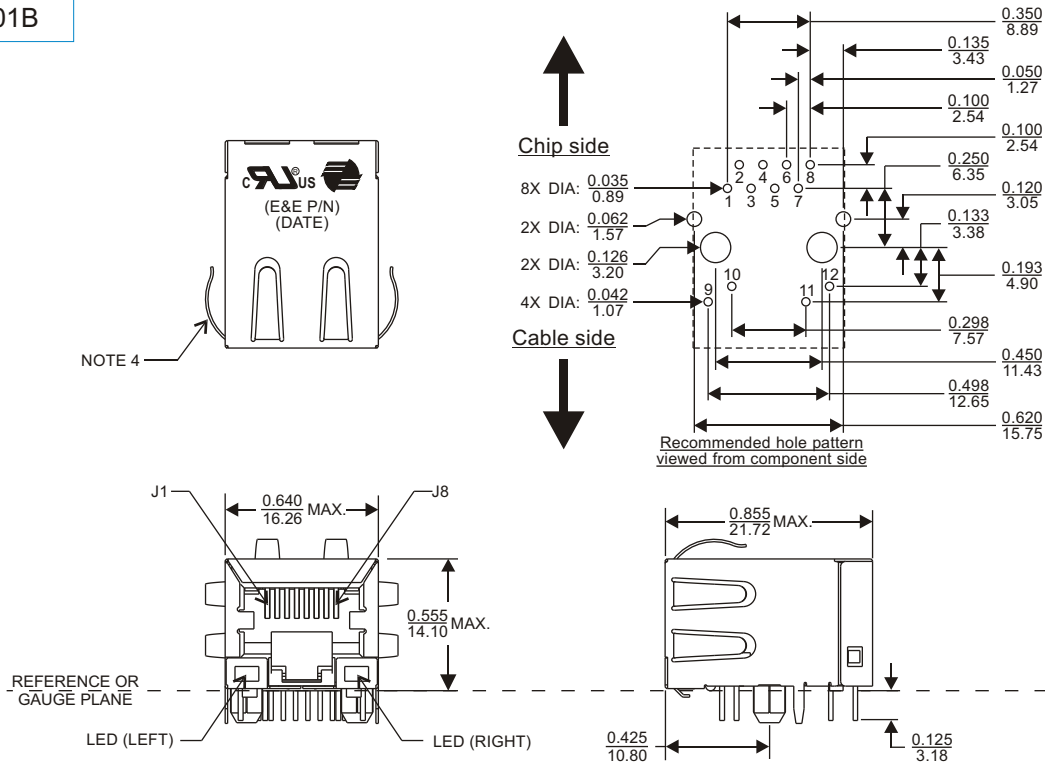


MECHANICAL DIMENSIONS

MJ11D-01A



MJ11D-01B



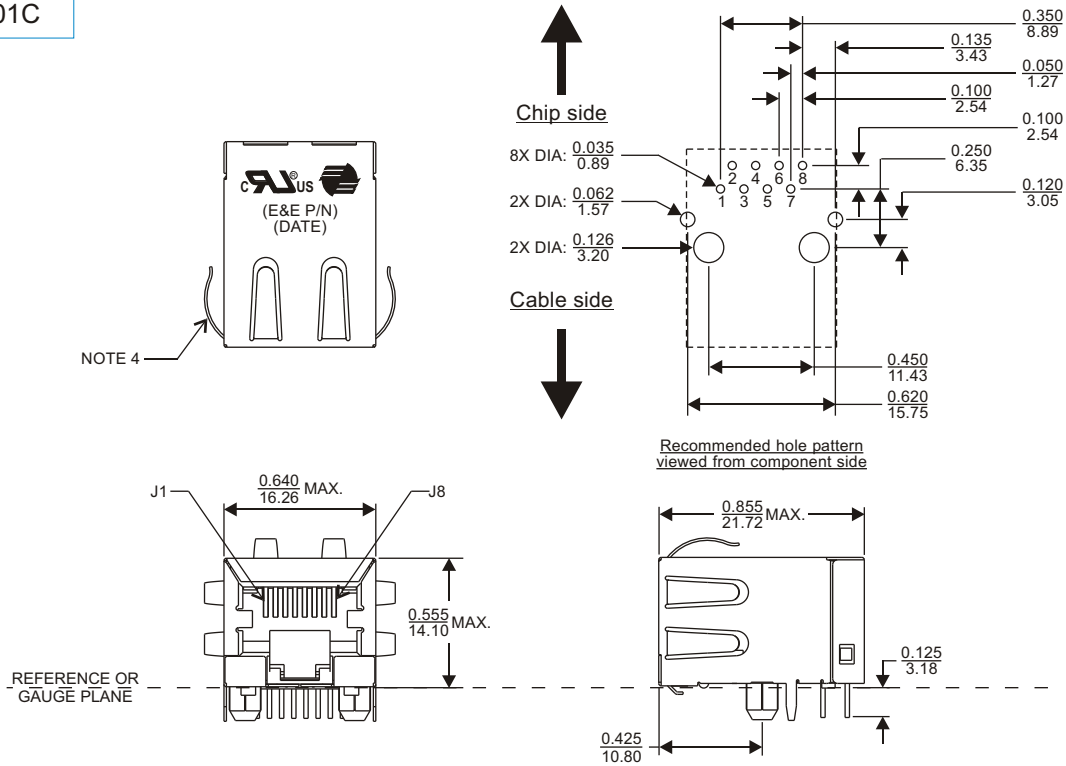
All dimensions are specified in $\frac{\text{inch}}{\text{mm}}$ with higher precedence in inch.

Unless otherwise specified, all tolerances are $\pm \frac{0.010}{0.25}$.



MECHANICAL DIMENSIONS

MJ11D-01C



All dimensions are specified in $\frac{\text{inch}}{\text{mm}}$ with higher precedence in inch.

Unless otherwise specified, all tolerances are $\pm \frac{0.010}{0.25}$.

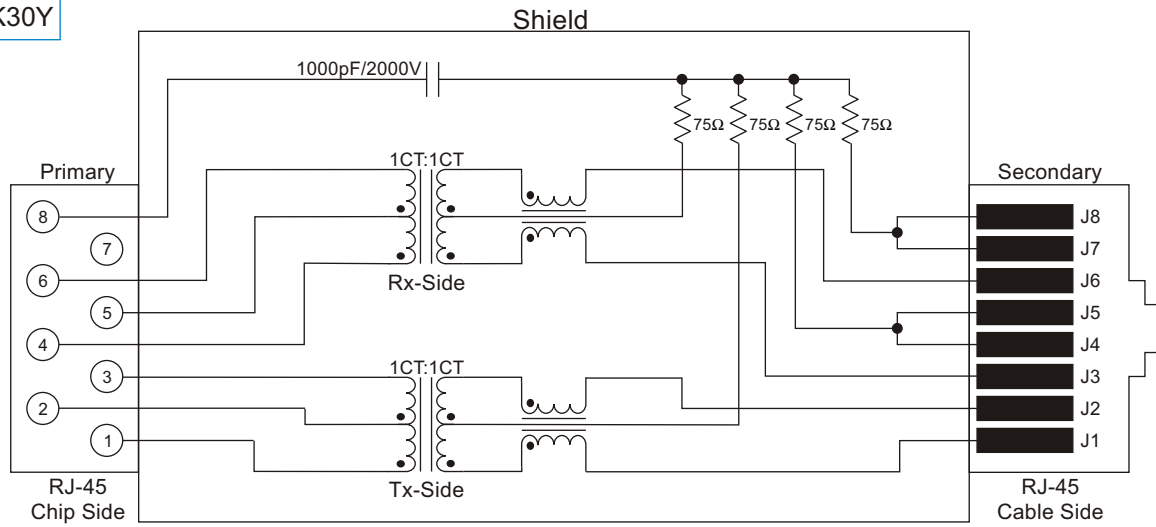
LEDs COLOR AND POLARITY

MJ11D-01A		LED (LEFT)		LED (RIGHT)			
LED (RIGHT)	LED (LEFT)	COLOR	POLARITY		COLOR	POLARITY	
			PIN 9	PIN 10		PIN 11	PIN 12
		GREEN	+	-	YELLOW	+	-
MJ11D-01B		LED (LEFT)		LED (RIGHT)			
LED (RIGHT)	LED (LEFT)	COLOR	POLARITY		COLOR	POLARITY	
			PIN 9	PIN 10		PIN 12	PIN 11
		GREEN	+	-	YELLOW	+	-

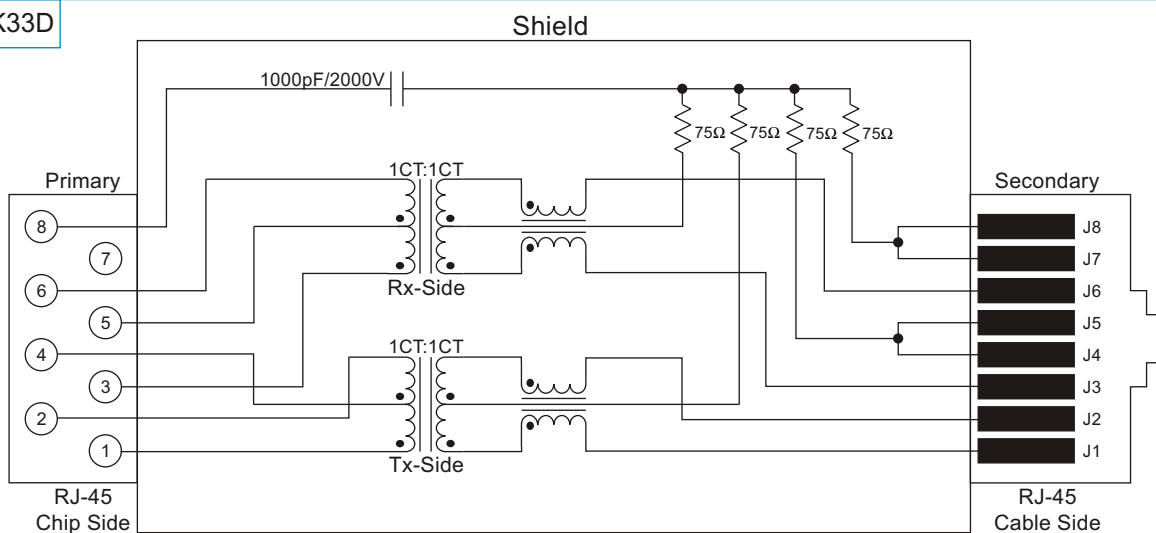


SCHEMATICS

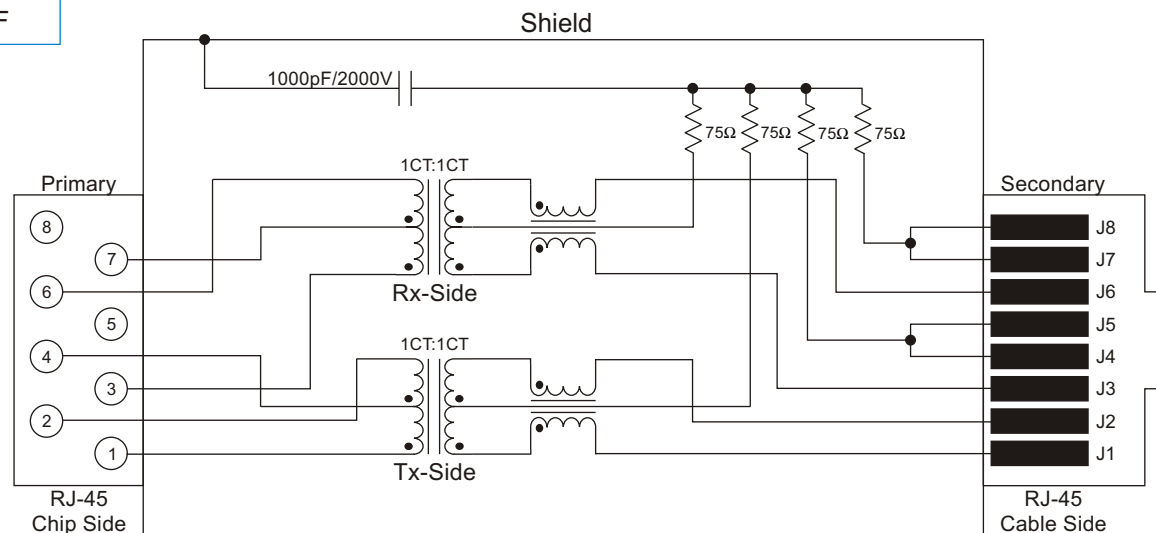
H30Y / K30Y



H33D / K33D



H34F





LED SPECIFICATION @25°C, FORWARD CURRENT = 20mA

Standard Color	Typical Wavelength (nm)	Forward Voltage (volt)	
		Typical	Maximum
Green	565	2.2	2.5
Yellow	590	2.1	2.5

MATERIALS

Housing	Consist of thermoset & thermoplastic materials, all of them are UL 94-V0 rated.
Contact Pins ⁶	Phosphor bronze, plated with nickel under-plating and hard gold over contact area.
PCB Pins	Copper wire which meets solderability requirements per MIL-STD-202, method 208.

Notes:

6. All parts shown in this datasheet have gold plating thickness of 10 micro-inch (min.) over contact area. Advance options including 30 micro-inch (min.) and 50 micro-inch (min.) are also available.

FOR MORE INFORMATION, PLEASE CONTACT

HEADQUARTER
2/F Block A, Merit Industrial Centre,
94 Tokwawan Road, Kowloon,
Hong Kong
Tel: (852) 2765 3888
Fax: (852) 2954 3304
Email: eempl@eleceltek.com
Website: <http://www.eleceltek.com>

Information herein is for reference only and subject to change without notice. It does not constitute any representation, warranty or commitment of the company in respect of the products in any aspect. All logos, brands and product names mentioned herein are trademarks or registered trademarks of their respective owners. The company does not assume any liability arising out of the application or use of any product or circuit described herein. Copyrights 2006, E & E Magnetic Products Limited.