











-  Magnetic Integrated Connector Modules
-  Compliant with IEEE802.3af standard including 350 $\mu$ H OCL with 8mA DC Bias
-  1500Vrms isolation voltage per IEEE802.3
-  350mA balanced DC line current capability
-  Enhanced performance on EMI suppression with metal shield
-  Operating temperature 0°C to +70°C
-  Symmetrical TX and RX channels which is suitable for Auto MDI/MDIX application
-  Designed for Power over Ethernet (PoE) enabled switch / router / hub applications
-  UL 1863 listed
-  RoHS compliant versions are available



#### GENERAL ELECTRICAL SPECIFICATION @ 25°C

Insertion Loss (dB Max)	Return Loss (dB Min)		CMRR (dB Min)	Crosstalk (dB Min)	Hipot (Vrms)
	2-30MHz	60-80MHz			
0.1-100MHz	2-30MHz	60-80MHz	0.1-100MHz	0.1-100MHz	1500
1.5	16.0	10.0	33.0	30.0	

#### PART NUMBER TABLE

Part Number <sup>1</sup>	RoHS Part Number	Turn Ratio (Chip : Cable) ( $\pm 3\%$ )		Configuration <sup>2</sup>		Platform	Mechanical Package	Schematic
		Tx	Rx	Tx	Rx			
MJ-24N2NNA20V70N	MJR24N2NNA20V70N	1CT:1CT	1CT:1CT	CT	CT	2x4	MJ24N-03A+0	V70N
MJ-26N2NNA20V70N	MJR26N2NNA20V70N	1CT:1CT	1CT:1CT	CT	CT	2x6	MJ26N-03A+0	V70N
MJ-28N2NNA20V70N	MJR28N2NNA20V70N	1CT:1CT	1CT:1CT	CT	CT	2x8	MJ28N-03A+0	V70N

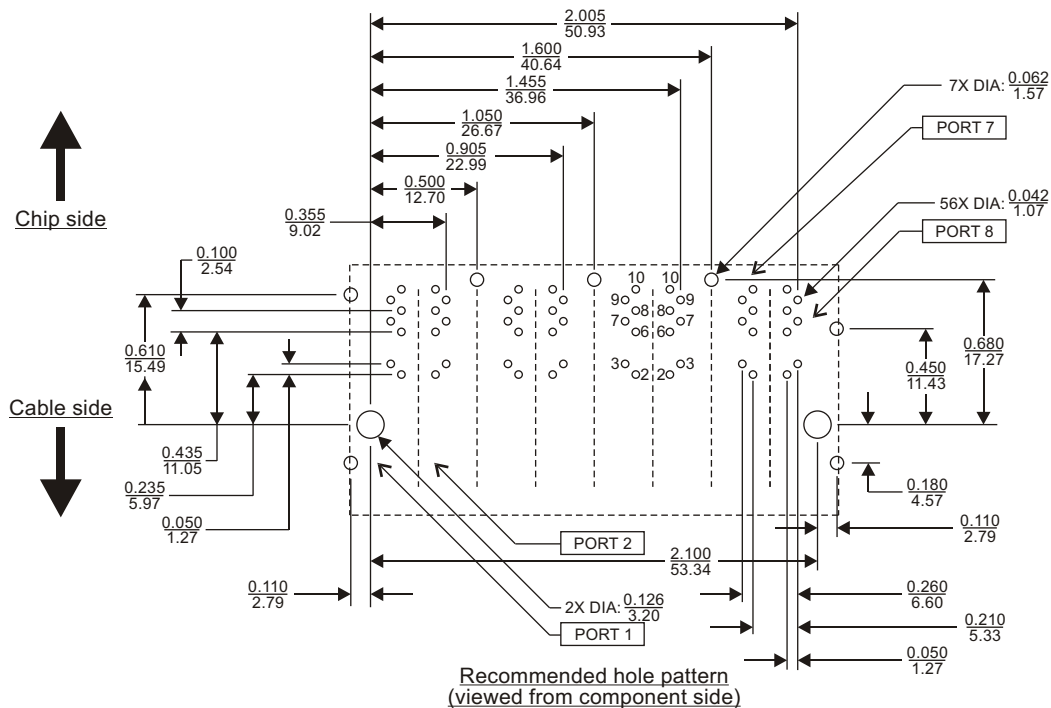
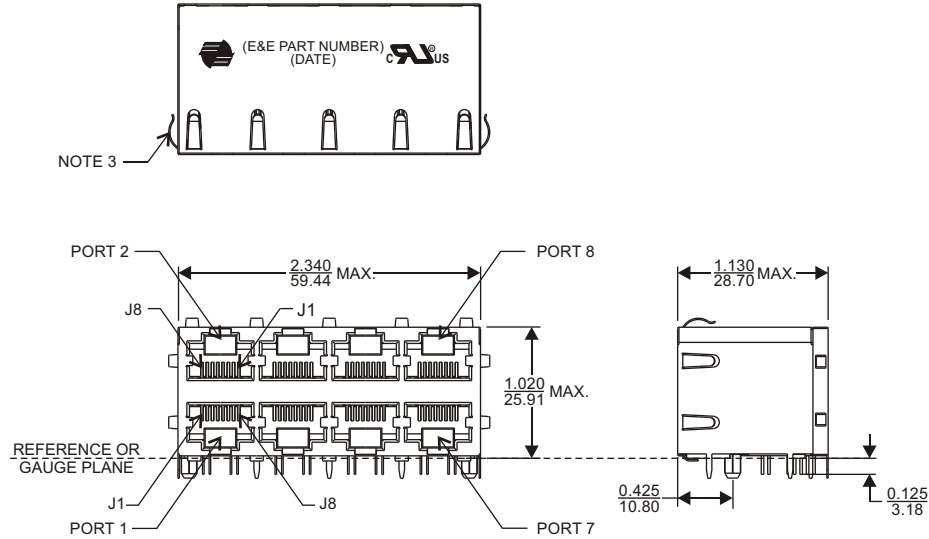
#### Notes:

- For different electrical and mechanical specifications, please contact E&E Magnetic Products Limited.
- Core location are counted from PCB (Chip) side to Cable (Media) side, where:  
“T” = Isolation transformer ; “C” = Common-mode choke
- Panel tabs are optional.
- All parts shown in this datasheet have gold plating thickness of 10 micro-inch (min.) over contact area.  
Advance options including 30 micro-inch (min.) and 50 micro-inch (min.) are also available.



MECHANICAL DIMENSIONS

MJ24N-03A+0

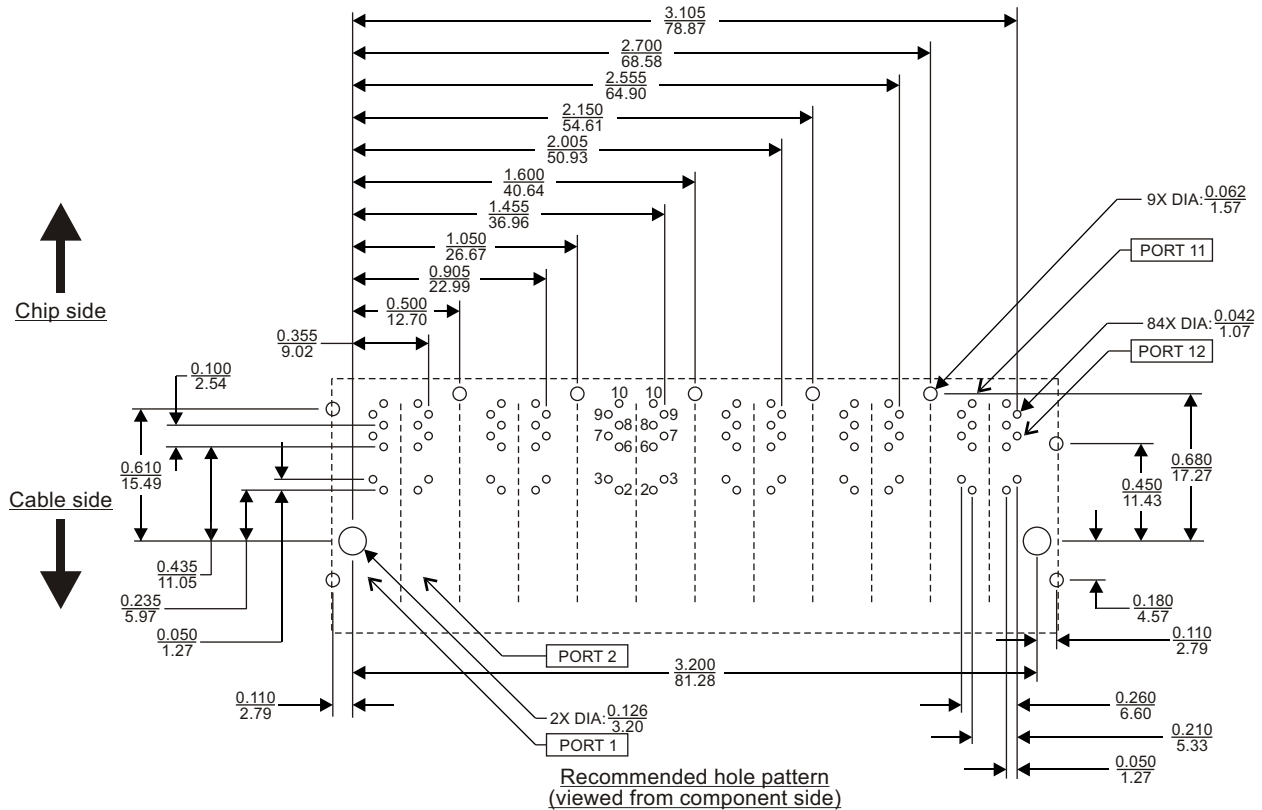
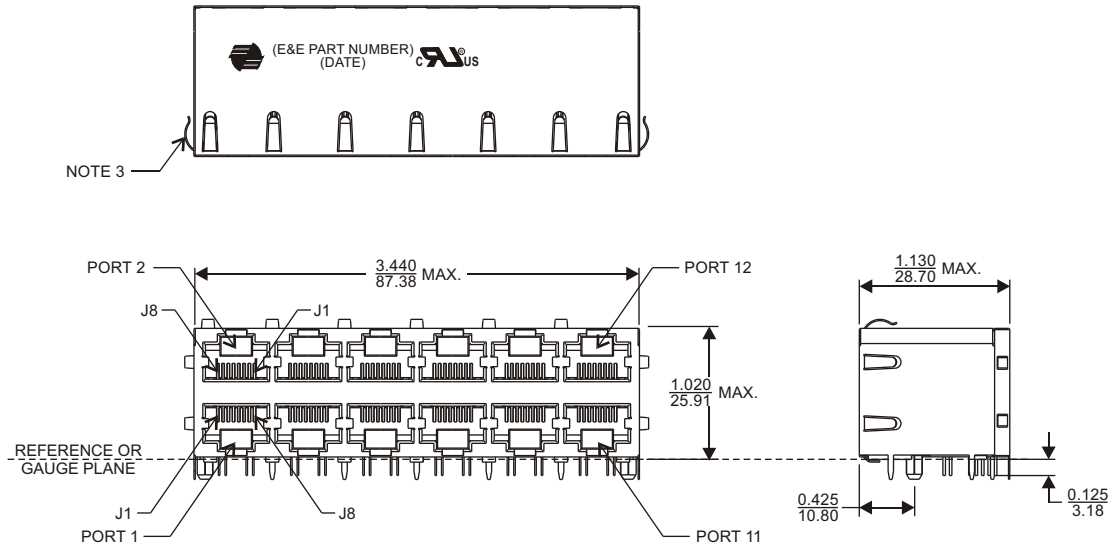


All dimensions are specified in  $\frac{\text{inch}}{\text{mm}}$  with higher precedence in inch.

Unless otherwise specified, all tolerances are  $\pm \frac{0.010}{0.25}$ .

MECHANICAL DIMENSIONS

MJ26N-03A+0



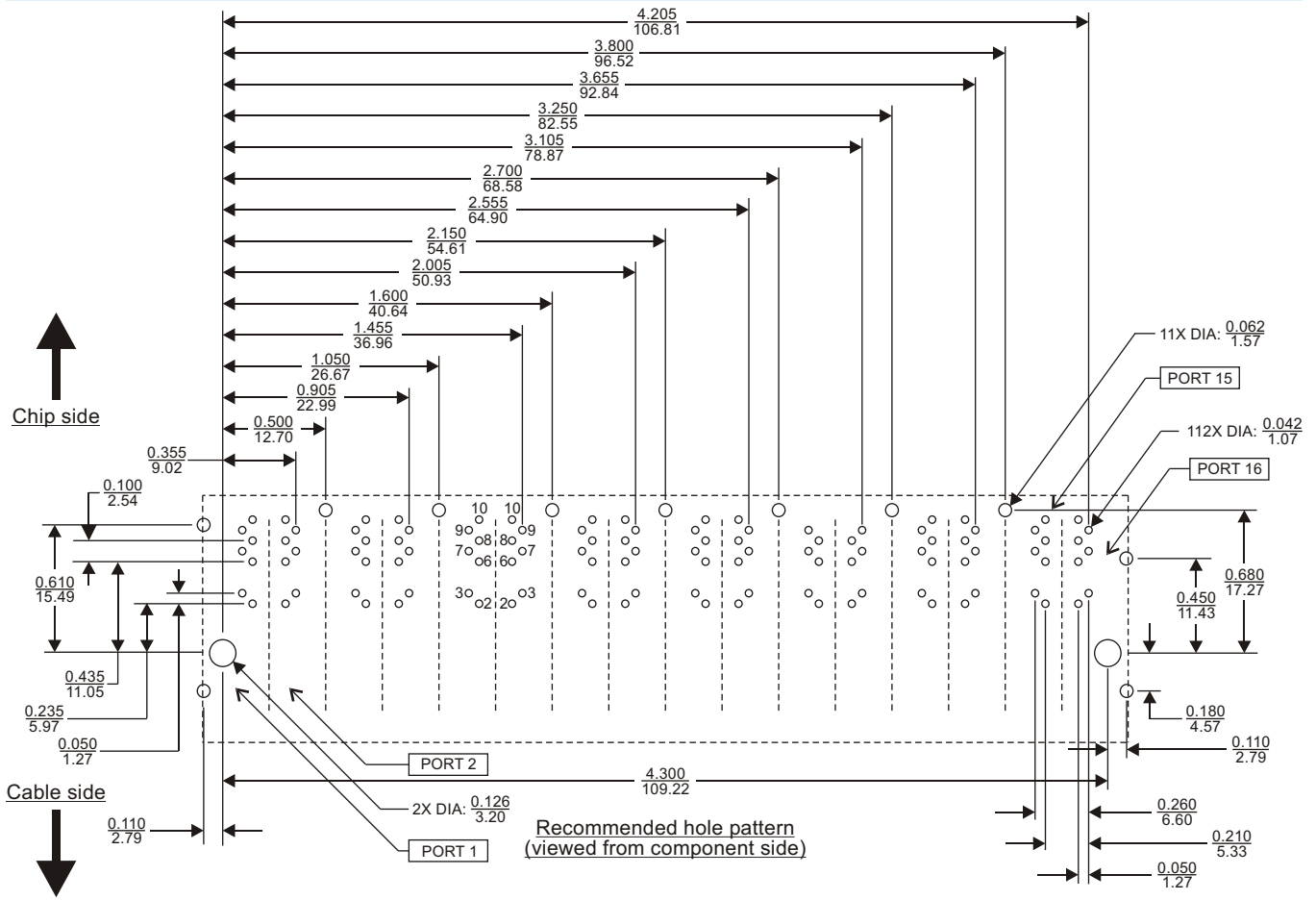
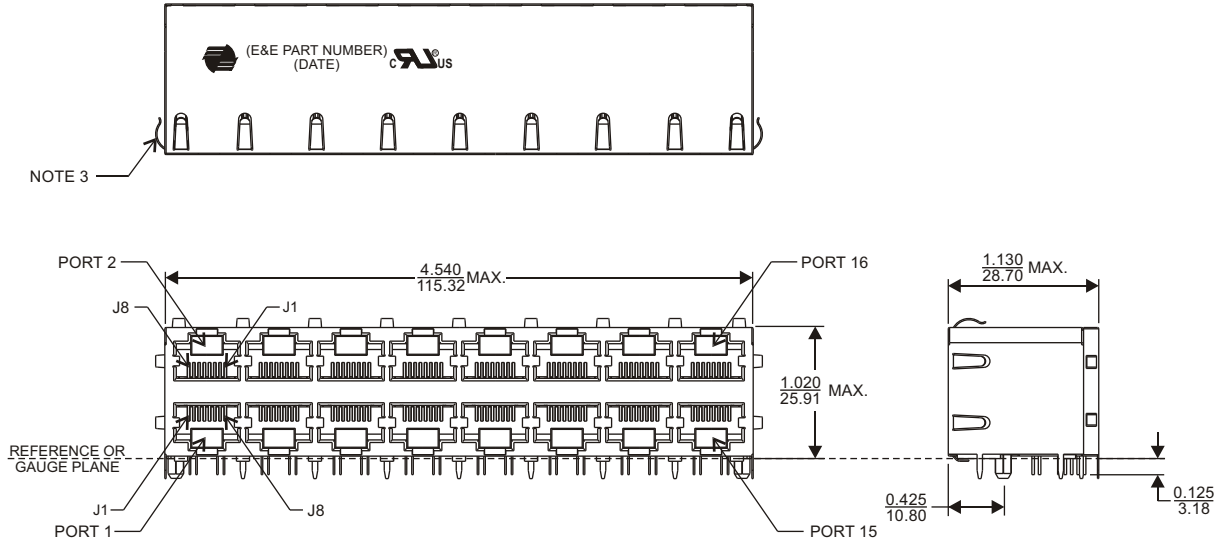
All dimensions are specified in  $\frac{\text{inch}}{\text{mm}}$  with higher precedence in inch.

Unless otherwise specified, all tolerances are  $\pm \frac{0.010}{0.25}$ .



**MECHANICAL DIMENSIONS**

MJ28N-03A+0

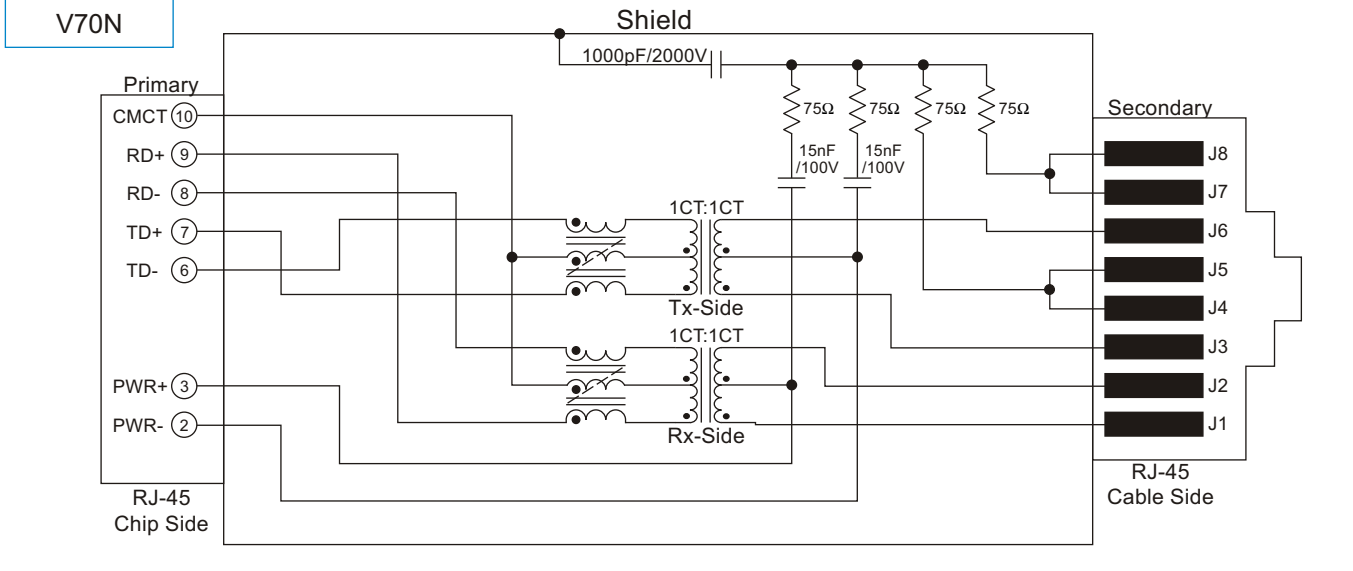


All dimensions are specified in  $\frac{\text{inch}}{\text{mm}}$  with higher precedence in inch.

Unless otherwise specified, all tolerances are  $\pm \frac{0.010}{0.25}$ .



**SCHEMATICS**



**MATERIALS**

Housing	Consist of thermoset & thermoplastic materials, all of them are UL 94-V0 rated.
Contact Pins <sup>4</sup>	Phosphor bronze, plated with nickel under-plating and hard gold over contact area.
PCB Pins	Copper wire which meets solderability requirements per MIL-STD-202, method 208.

**FOR MORE INFORMATION, PLEASE CONTACT**

HEADQUARTER  
2/F Block A, Merit Industrial Centre,  
94 Tokwawan Road, Kowloon,  
Hong Kong  
Tel: (852) 2765 3888  
Fax: (852) 2954 3304  
Email: eempl@eleceltek.com  
Website: <http://www.eleceltek.com>

Information herein is for reference only and subject to change without notice. It does not constitute any representation, warranty or commitment of the company in respect of the products in any aspect. All logos, brands and product names mentioned herein are trademarks or registered trademarks of their respective owners. The company does not assume any liability arising out of the application or use of any product or circuit described herein. Copyrights 2006, E & E Magnetic Products Limited.