











-  Magnetic Integrated Connector Modules
-  Compliant with IEEE802.3af standard including 350μH OCL with 8mA DC Bias
-  1500Vrms isolation voltage per IEEE802.3
-  350mA balanced DC line current capability
-  Enhanced performance on EMI suppression with metal shield
-  Operating temperature 0°C to +70°C
-  Featured with Transient Voltage Suppression (TVS)
-  Designed for Power over Ethernet (PoE) enabled Switch / Router / Hub applications
-  UL 1863 listed
-  RoHS compliant versions are available



GENERAL ELECTRICAL SPECIFICATION @ 25°C

Insertion Loss (dB Max)	Return Loss (dB Min)				CMRR (dB Min)			Crosstalk (dB Min)	Hipot (Vrms)
	1-30MHz	40MHz	50MHz	60-80MHz	32MHz	62MHz	100MHz		
0.1-100MHz	1-30MHz	40MHz	50MHz	60-80MHz	32MHz	62MHz	100MHz	0.1-100MHz	1500
2.0	16.0	14.0	13.0	12.0	42.0	37.0	30.0	30.0	

PART NUMBER TABLE

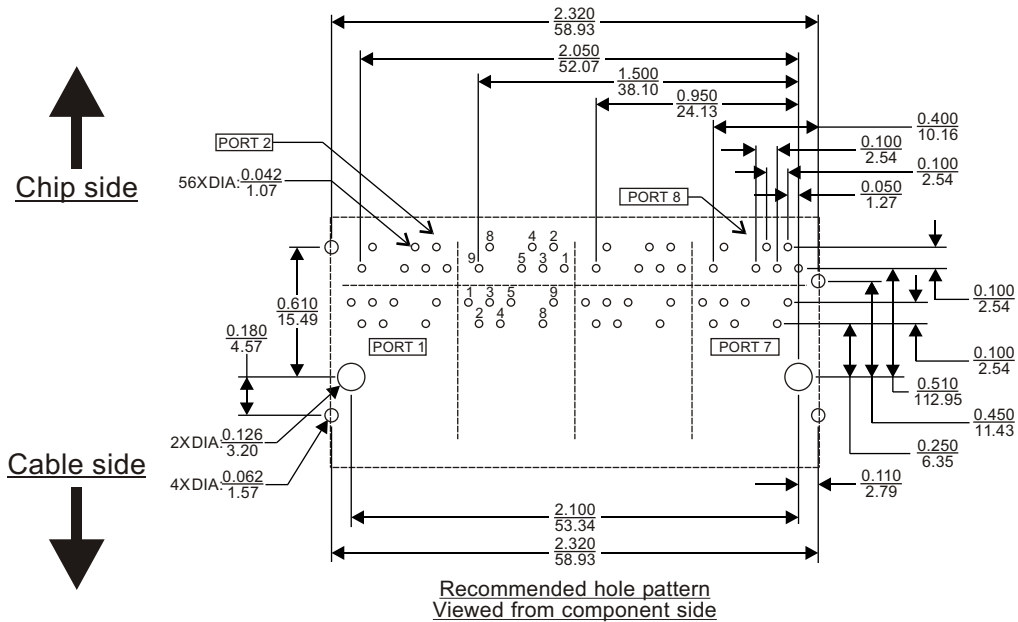
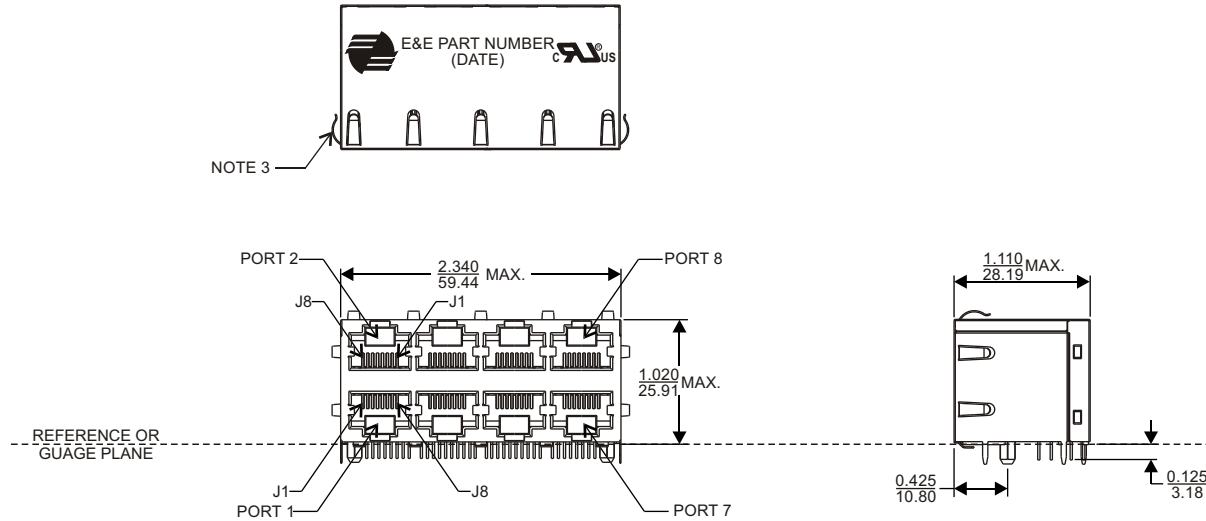
Part Number ¹	RoHS Part Number	Turn Ratio (Chip : Cable) (±3%)		Configuration ²		Platform	Mechanical Package	Schematic
		Tx	Rx	Tx	Rx			
MJ-24N2NNA0-V700U	MJR24N2NNA0-V700U	1CT:1CT	1CT:1CT	TS	TS	2x4	MJ24N-01A	V700U
MJ-26N2NNA0-V700U	MJR26N2NNA0-V700U	1CT:1CT	1CT:1CT	TS	TS	2x6	MJ26N-01A	V700U
MJ-28N2NNA0-V700U	MJR28N2NNA0-V700U	1CT:1CT	1CT:1CT	TS	TS	2x8	MJ28N-01A	V700U

Notes:

1. For different electrical and mechanical specifications, please contact E&E Magnetic Products Limited.
2. Core location are counted from PCB (Chip) side to Cable (Media) side, where:
“T” = Isolation transformer ; “S” = Shared Common-mode choke
3. Panel tabs are optional.
4. All parts shown in this datasheet have gold plating thickness of 10 micro-inch (min.) over contact area.
Advance options including 30 micro-inch (min.) and 50 micro-inch (min.) are also available.

MECHANICAL DIMENSIONS

MJ24N-01A

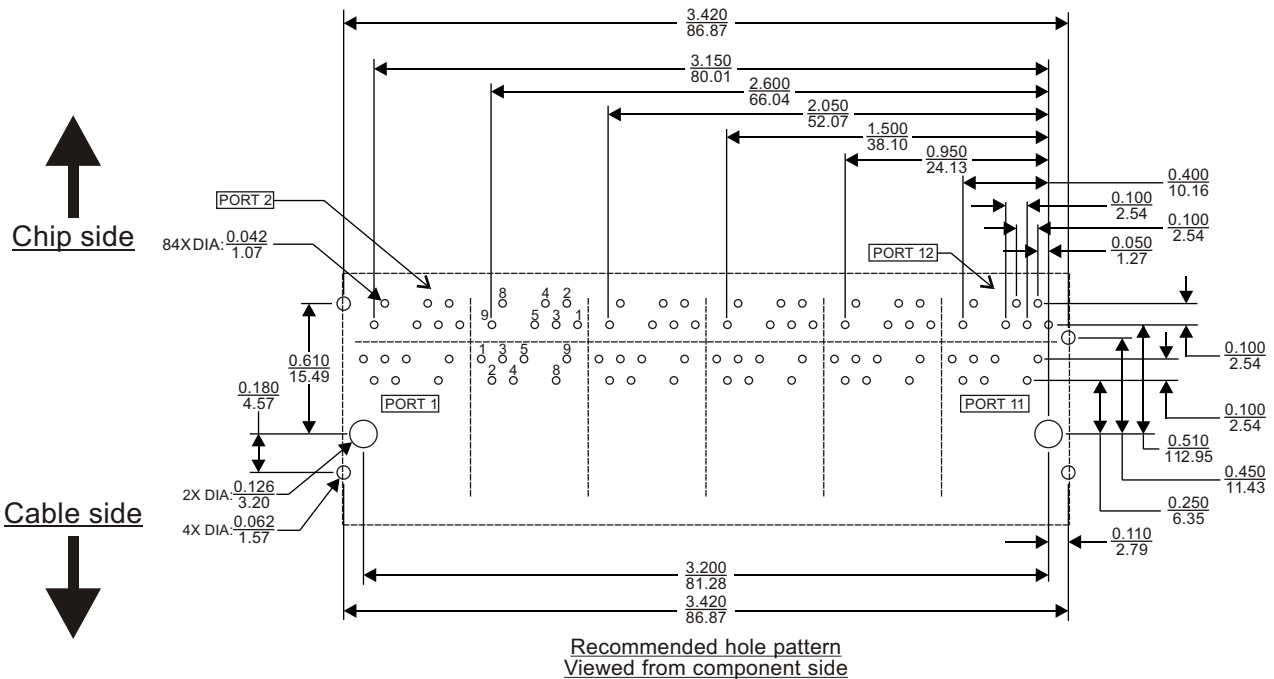
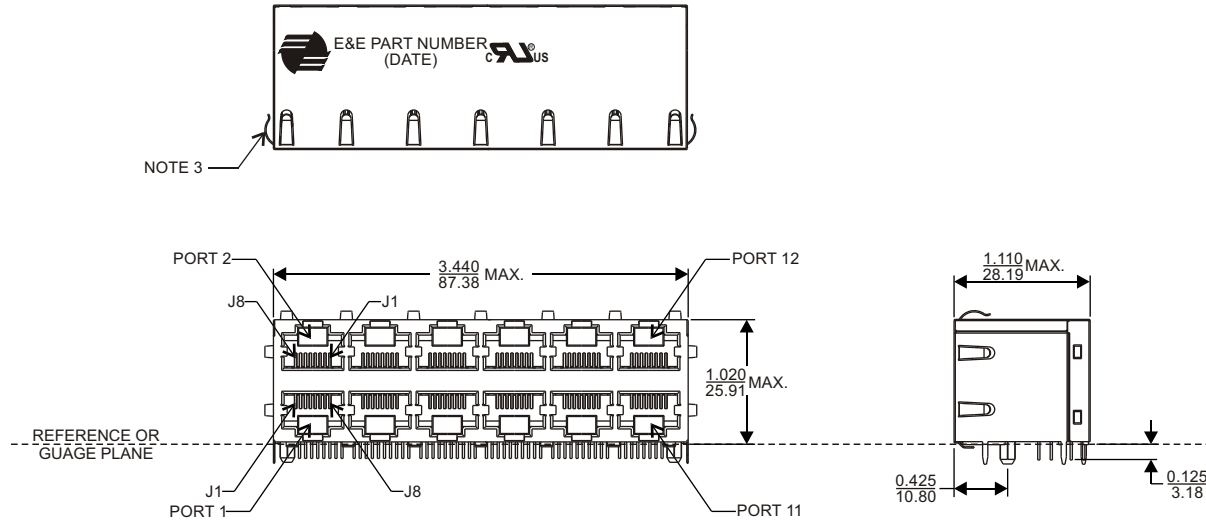


All dimensions are specified in $\frac{\text{inch}}{\text{mm}}$ with higher precedence in inch.

Unless otherwise specified, all tolerances are $\pm \frac{0.010}{0.25}$.

MECHANICAL DIMENSIONS

MJ26N-01A

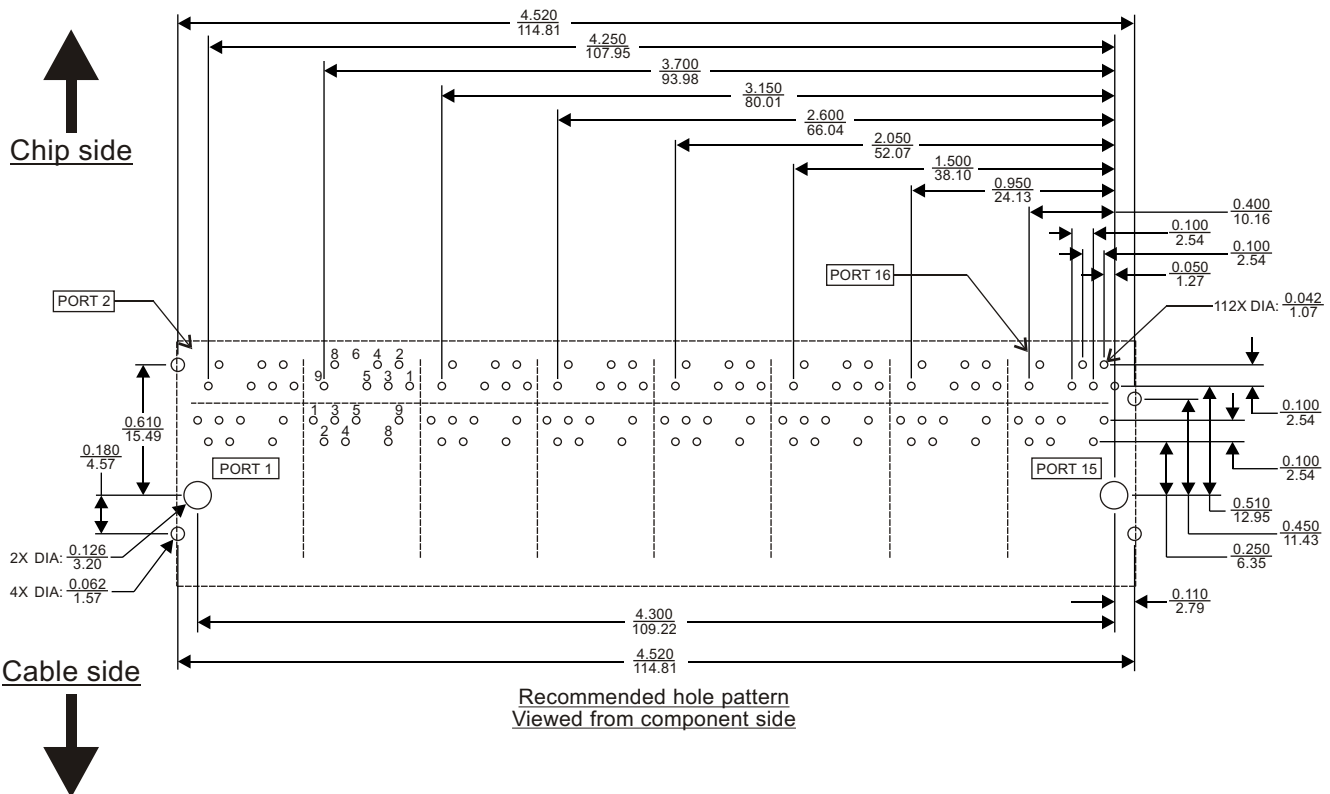
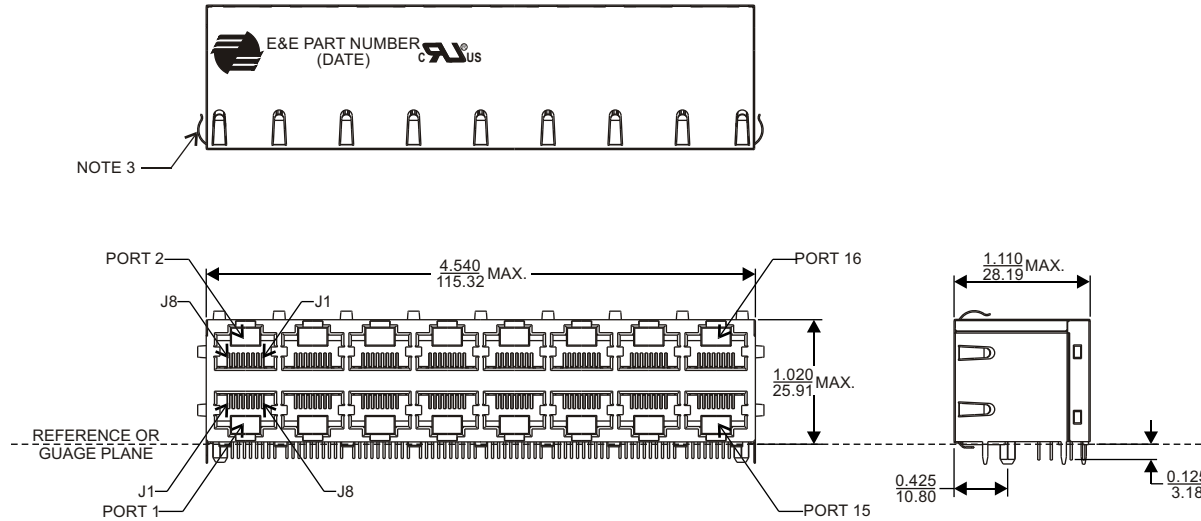


All dimensions are specified in $\frac{\text{inch}}{\text{mm}}$ with higher precedence in inch.

Unless otherwise specified, all tolerances are $\pm \frac{0.010}{0.25}$.

MECHANICAL DIMENSIONS

MJ28N-01A



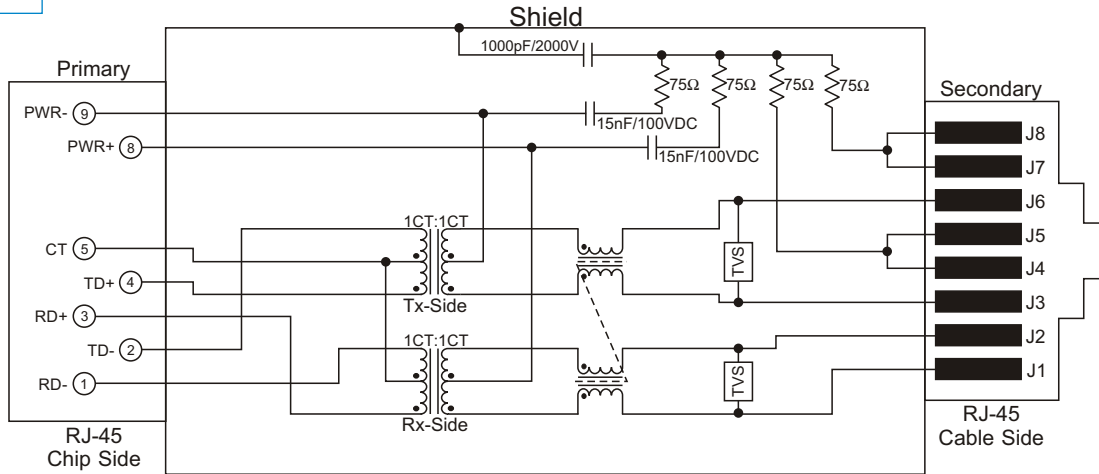
All dimensions are specified in $\frac{\text{inch}}{\text{mm}}$ with higher precedence in inch.

Unless otherwise specified, all tolerances are $\pm \frac{0.010}{0.25}$.



SCHEMATICS (EACH PORT)

V700U



MATERIALS

Housing	Consist of thermoset & thermoplastic materials, all of them are UL 94-V0 rated.
Contact Pins ⁴	Phosphor bronze, plated with nickel under-plating and hard gold over contact area.
PCB Pins	Copper wire which meets solderability requirements per MIL-STD-202, method 208.

FOR MORE INFORMATION, PLEASE CONTACT

HEADQUARTER
2/F Block A, Merit Industrial Centre,
94 Tokwawan Road, Kowloon,
Hong Kong
Tel: (852) 2765 3888
Fax: (852) 2954 3304
Email: eempl@eleceltek.com
Website: <http://www.eleceltek.com>

Information herein is for reference only and subject to change without notice. It does not constitute any representation, warranty or commitment of the company in respect of the products in any aspect. All logos, brands and product names mentioned herein are trademarks or registered trademarks of their respective owners. The company does not assume any liability arising out of the application or use of any product or circuit described herein. Copyrights 2006, E & E Magnetic Products Limited.