









-  Magnetic Integrated Connector Modules
-  Compliant with IEEE802.3 standard including 350μH OCL with 8mA DC Bias
-  1500Vrms isolation voltage per IEEE802.3
-  Enhanced performance on EMI suppression with metal shield
-  Support 4 pairs fo Category 5 UTP cable with 1000Base-T full duplex applications
-  Operating temperature 0°C to +70°C
-  UL 1863 listed
-  RoHS compliant versions are available



#### GENERAL ELECTRICAL SPECIFICATION @ 25°C

Insertion Loss (dB Max)		Return Loss <sup>1</sup> (dB Min)		CMRR (dB Min)	Crosstalk <sup>1</sup> (dB Min)	Hipot (Vrms)
0.1-100MHz	100-125MHz	0.5-40MHz	40-100MHz	0.1-100MHz	0.1-100MHz	
1.0	1.2	18.0	12-20Log(F/80)	32.0	33-20Log(F/50)	1500

#### PART NUMBER TABLE

Part Number <sup>2</sup>	RoHS Part Number	Turn Ratio (±3%) (Chip : Cable)	Configuration <sup>3</sup>	LED <sup>4</sup> (Left / Right)	Mechanical Package	Schematic
MJ-11U2GYA4-G109	MJR11U2GYA4-G109	1CT:1CT	TC	G / Y	MJ11U-06A	G109
MJ-11U2GYA4-G11S	MJR11U2GYA4-G11S	1CT:1CT	TC	G / Y	MJ11U-06A	G11S
MJ-11U2GYA4-G309	MJR11U2GYA4-G309	1CT:1	TCA	G / Y	MJ11U-06A	G309
MJ-11U2GYA4-G31S	MJR11U2GYA4-G31S	1CT:1	TCA	G / Y	MJ11U-06A	G31S
MJ-11U2NNA4-G109	MJR11U2NNA4-G109	1CT:1CT	TC	—	MJ11U-05A	G109
MJ-11U2NNA4-G11S	MJR11U2NNA4-G11S	1CT:1CT	TC	—	MJ11U-05A	G11S
MJ-11U2NNA4-G309	MJR11U2NNA4-G309	1CT:1	TCA	—	MJ11U-05A	G309
MJ-11U2NNA4-G31S	MJR11U2NNA4-G31S	1CT:1	TCA	—	MJ11U-05A	G31S

#### Notes:

- "F" represents the test frequency specified in MHz.
- For different electrical and mechanical specifications, please contact E&E Magnetic Products Limited.
- Core location are counted from PCB (Chip) side to Cable (Media) side, where:  
"T" = Isolation transformer ; "C" = Common-mode choke, "A" = Auto-transformer ;
- LEDs (Left / Right) : "G" = Green ; "Y" = Yellow ; "—" = None. For different LED color requirements, please contact E&E Magnetic Products Limited.
- Panel tabs are optional.
- All parts shown in this datasheet have gold plating thickness of 10 micro-inch (min.) over contact area. Advance options including 30 micro-inch (min.) and 50 micro-inch (min.) are also available.

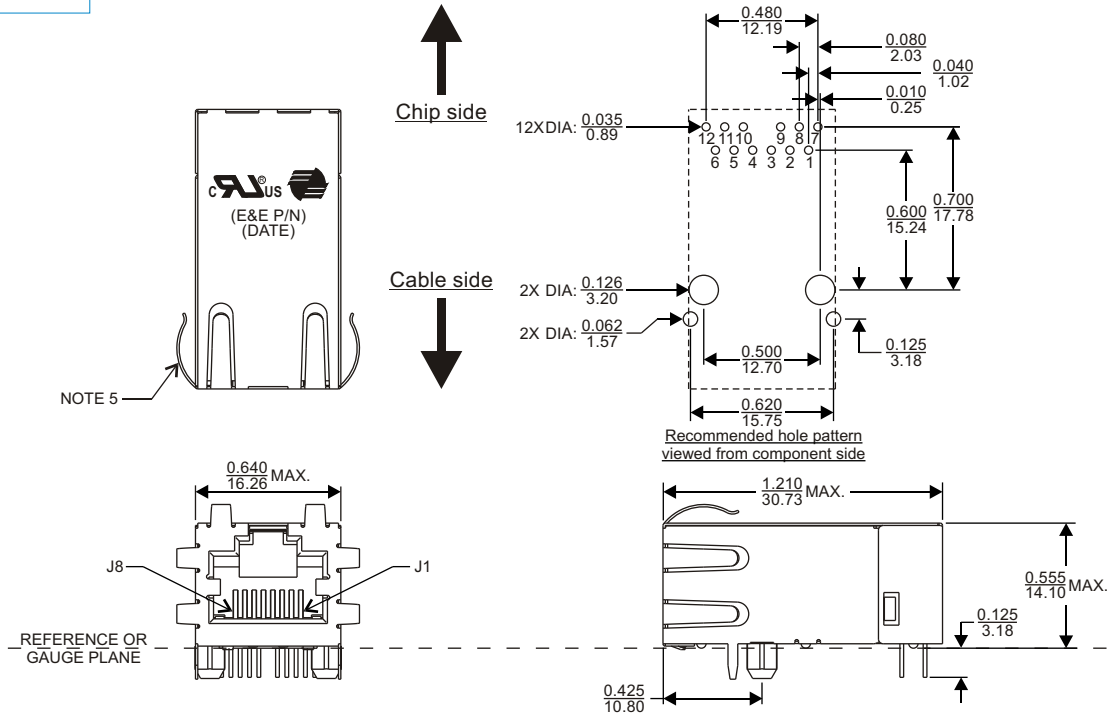
#### MATERIALS

Housing	Consist of thermoset & thermoplastic materials, all of them are UL 94-V0 rated.
Contact Pins <sup>6</sup>	Phosphor bronze, plated with nickel under-plating and hard gold over contact area.
PCB Pins	Copper wire which meets solderability requirements per MIL-STD-202, method 208.

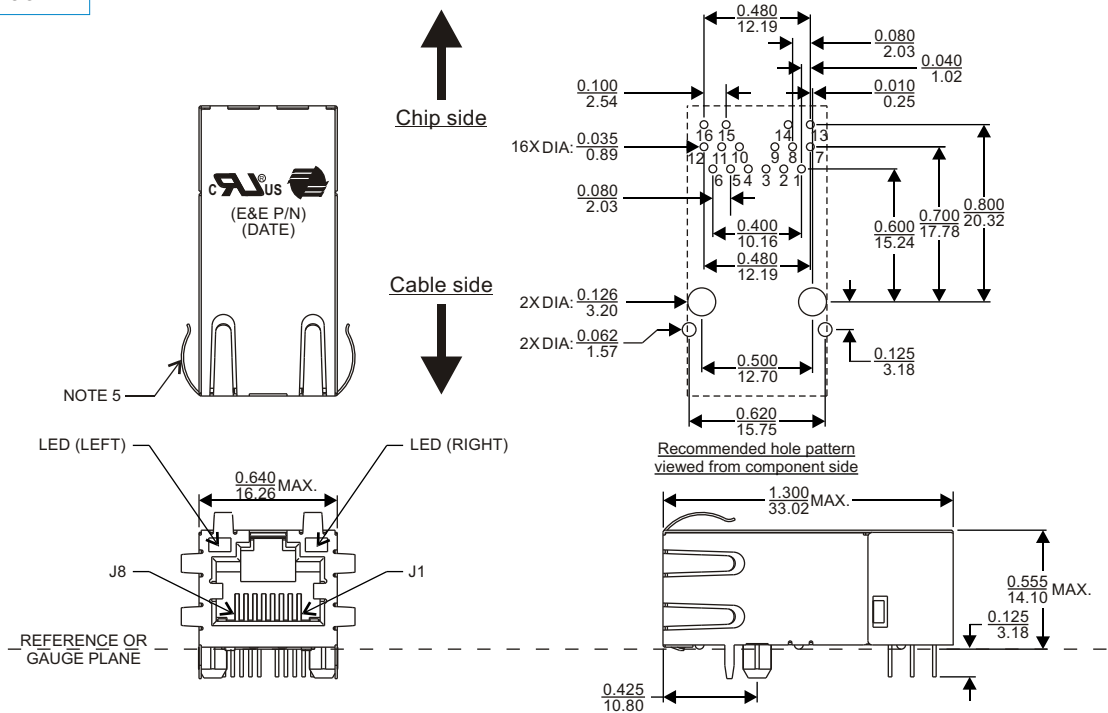


MECHANICAL DIMENSIONS

MJ11U-05A



MJ11U-06A

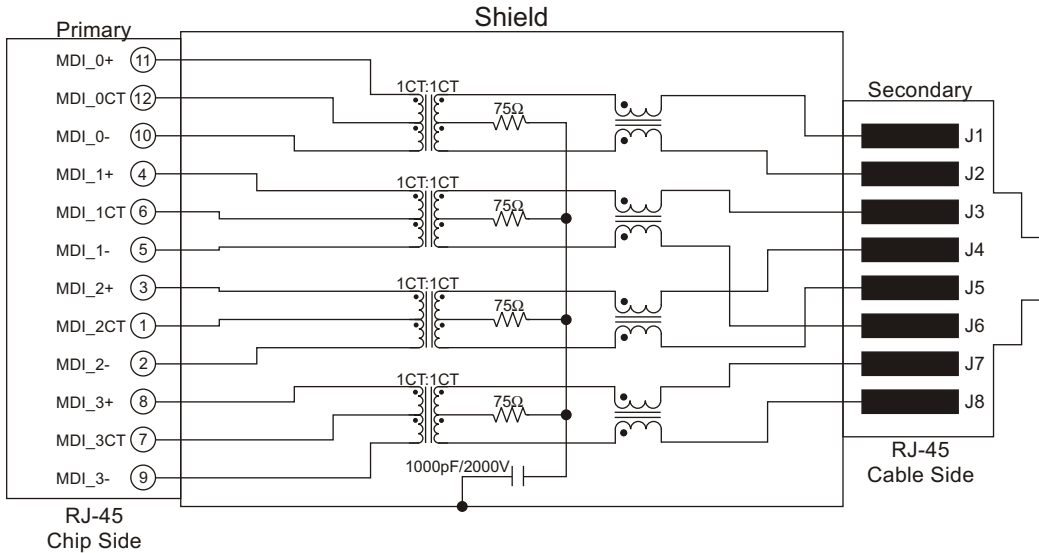


All dimensions are specified in  $\frac{\text{inch}}{\text{mm}}$  with higher precedence in inch.

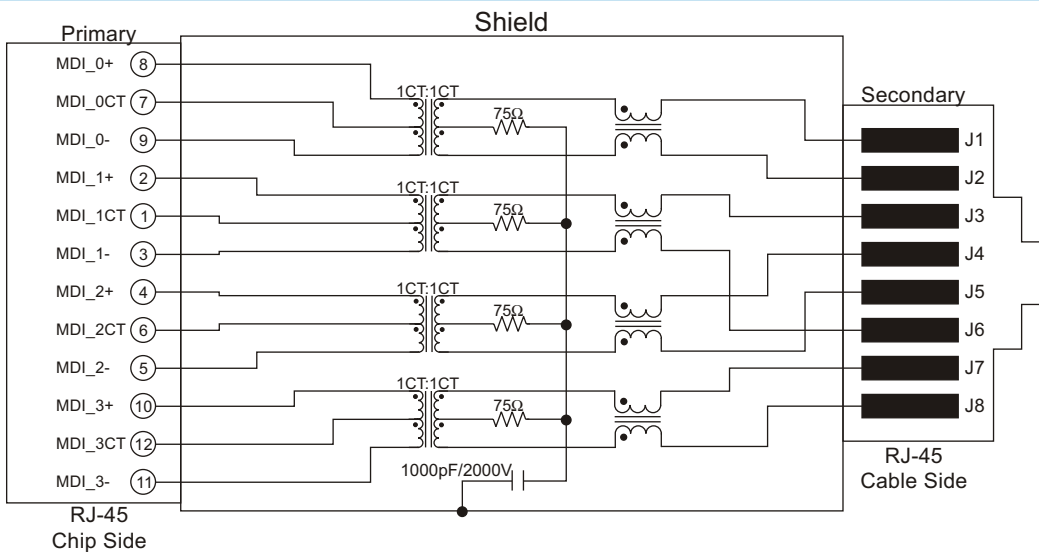
Unless otherwise specified, all tolerances are  $\pm \frac{0.010}{0.25}$ .

**SCHEMATICS**

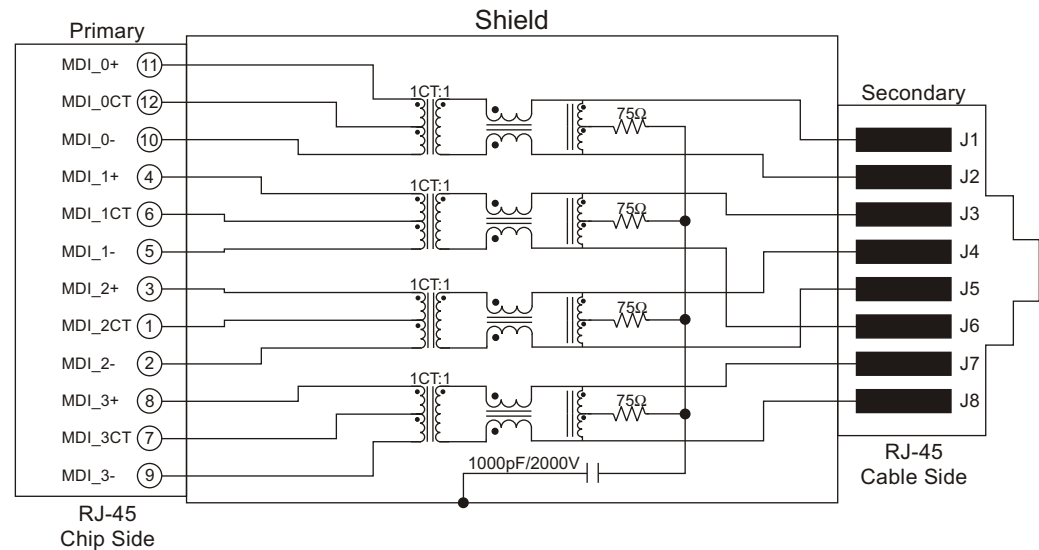
**G109**



**G11S**

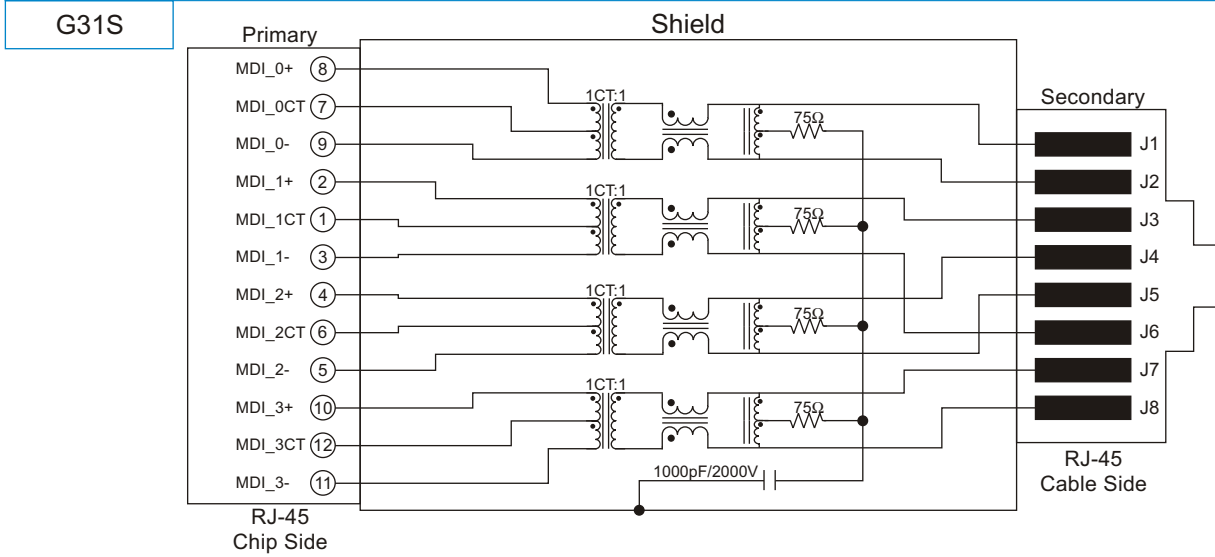


**G309**


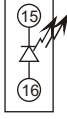




**SCHEMATICS**



**LEDs COLOR AND POLARITY**

MJ11U-06A	LED (LEFT)		LED (RIGHT)			
	COLOR	POLARITY		COLOR	POLARITY	
		PIN 16	PIN 15		PIN 14	PIN 13
 LED (RIGHT)	GREEN	+	-	YELLOW	+	-
 LED (LEFT)						

**LED SPECIFICATION @25°C, FORWARD CURRENT = 20mA**

Standard Color	Typical Wavelength (nm)	Forward Voltage (volt)	
		Typical	Maximum
Green	565	2.2	2.5
Yellow	590	2.1	2.5

**MATERIALS**

Housing	Consist of thermoset & thermoplastic materials, all of them are UL 94-V0 rated.
Contact Pins <sup>6</sup>	Phosphor bronze, plated with nickel under-plating and hard gold over contact area.
PCB Pins	Copper wire which meets solderability requirements per MIL-STD-202, method 208.

**FOR MORE INFORMATION, PLEASE CONTACT**

HEADQUARTER  
2/F Block A, Merit Industrial Centre,  
94 Tokwawan Road, Kowloon,  
Hong Kong  
Tel: (852) 2765 3888  
Fax: (852) 2954 3304  
Email: eempl@eleceltek.com  
Website: <http://www.eleceltek.com>

Information herein is for reference only and subject to change without notice. It does not constitute any representation, warranty or commitment of the company in respect of the products in any aspect. All logos, brands and product names mentioned herein are trademarks or registered trademarks of their respective owners. The company does not assume any liability arising out of the application or use of any product or circuit described herein. Copyrights 2006, E & E Magnetic Products Limited.