








-  Magnetic Integrated Connector Modules
-  1500Vrms isolation voltage per IEEE802.3
-  350mA balanced DC line current capability
-  Designed for Power over Ethernet (PoE) enabled Switch / Router / Hub applications
-  Enhanced performance on EMI suppression with metal shield
-  Operating temperature 0°C to +70°C
-  RoHS compliant



GENERAL ELECTRICAL SPECIFICATION @ 25°C

Insertion Loss (dB Max)		Return Loss ¹ (dB Min)		CMRR (dB Min)	Crosstalk (dB Min)	Hipot (Vrms)
1-100MHz	100-125MHz	1-40MHz	40-100MHz	0.1-100MHz	0.1-100MHz	
1.0	1.5	18.0	12-20Log(F/80)	30.0	30.0	1500

PART NUMBER TABLE

RoHS Part Number ²	Turn Ratio (Chip : Cable) (±3%)	Configuration ³	LED ⁴ (Left / Right)	Mechanical Package	Schematic
MJF11U2GYAA-EB004	1CT:1CT	CT	G / Y	MJ11U-11A	EB004
MJF11U2GYAA-EBB05	1CT:1CT	TS	G / Y	MJ11U-11A	EBB05
MJF11U2NNAA-EB004	1CT:1CT	CT	—	MJ11U-11B	EB004
MJF11U2NNAA-EBB05	1CT:1CT	TS	—	MJ11U-11B	EBB05

Notes:

- "F" represents the test frequency specified in MHz.
- For different electrical and mechanical specifications, please contact E&E Magnetic Products Limited.
- Core location are counted from PCB (Chip) side to Cable (Media) side, where:
"T" = Isolation transformer ; "C" = Common-mode choke ; "S" = Shared Common-mode choke
- LEDs (Left / Right) : "G" = Green ; "Y" = Yellow ; "—" = None. For different LED color requirements, please contact E&E Magnetic Products Limited.
- Panel tabs are optional.
- All parts shown in this datasheet have gold plating thickness of 10 micro-inch (min.) over contact area.
Advance options including 30 micro-inch (min.) and 50 micro-inch (min.) are also available.

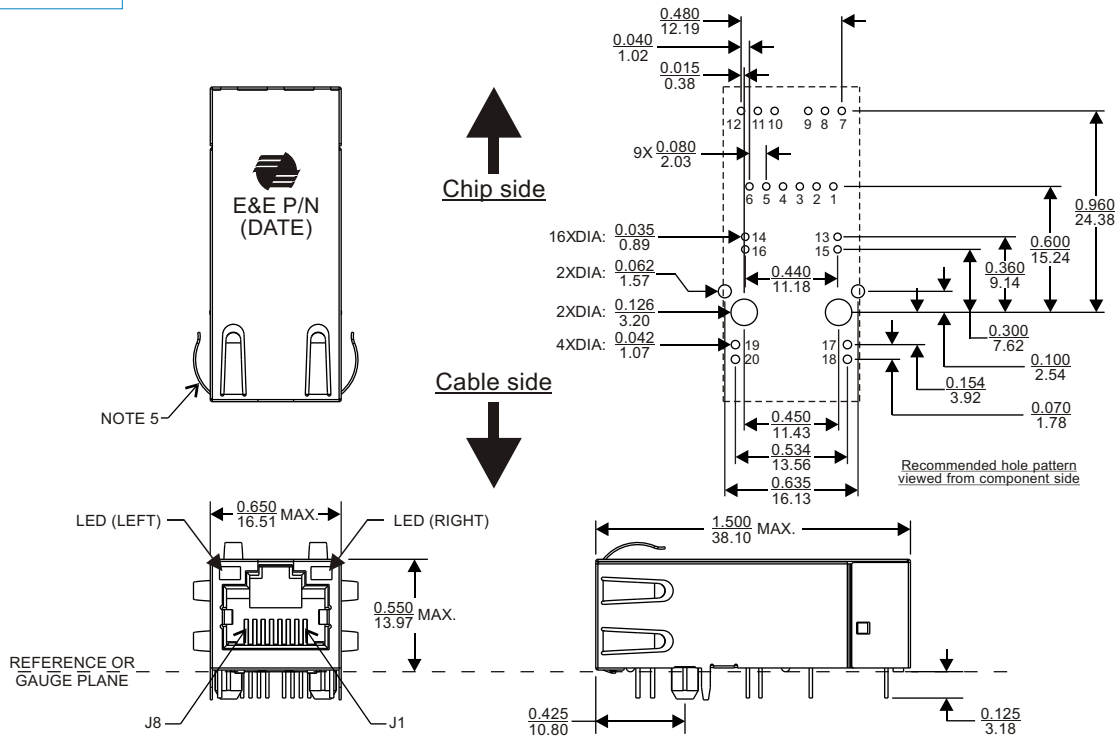
MATERIALS

Housing	Consist of thermoset & thermoplastic materials, all of them are UL 94-V0 rated.
Contact Pins ⁶	Phosphor bronze, plated with nickel under-plating and hard gold over contact area.
PCB Pins	Copper wire which meets solderability requirements per MIL-STD-202, method 208.

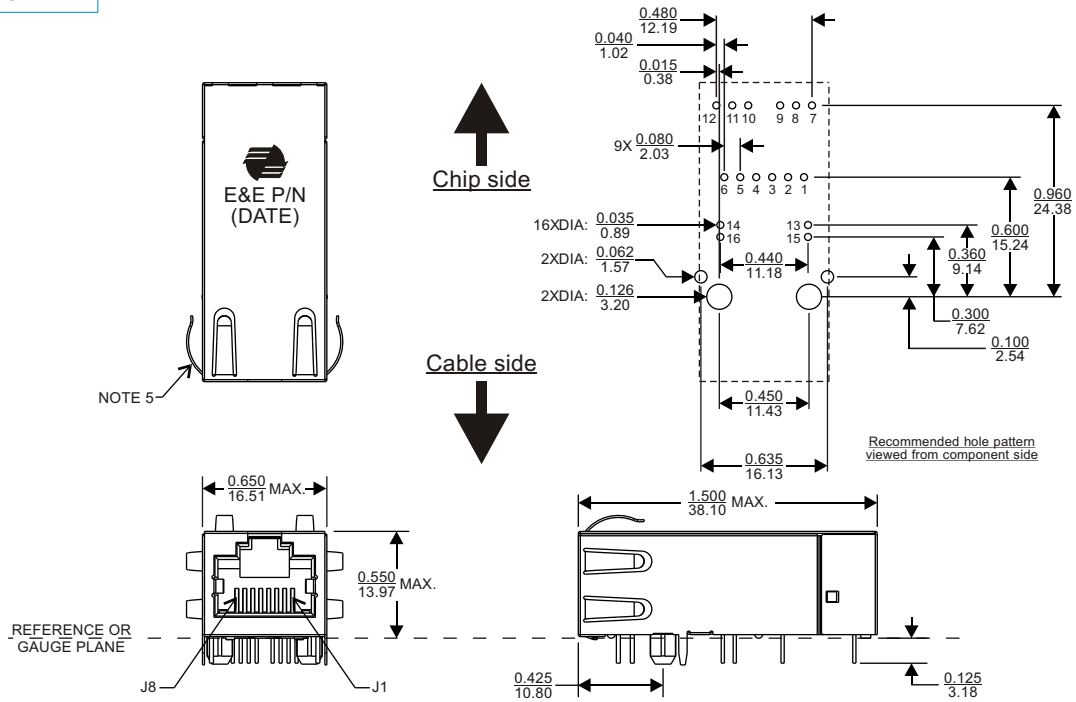


MECHANICAL DIMENSIONS

MJ11U-11A



MJ11U-11B



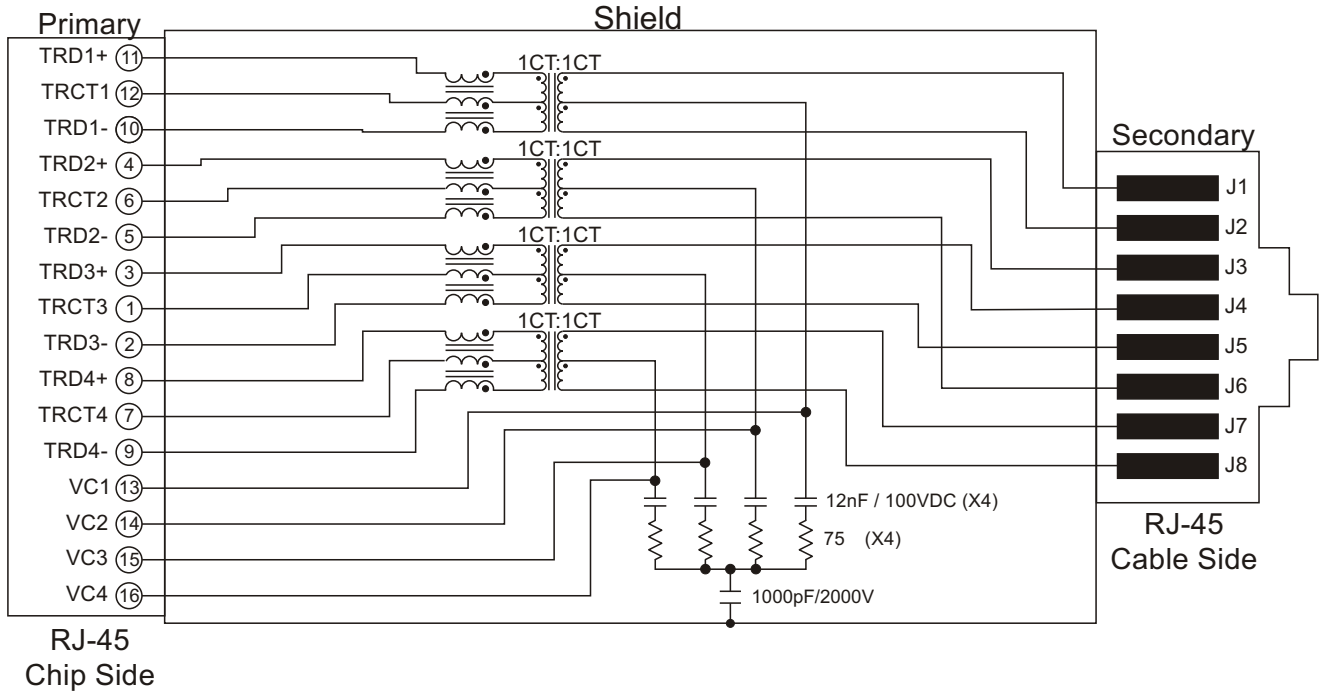
All dimensions are specified in $\frac{\text{inch}}{\text{mm}}$ with higher precedence in inch.

Unless otherwise specified, all tolerances are $\pm \frac{0.010}{0.25}$.

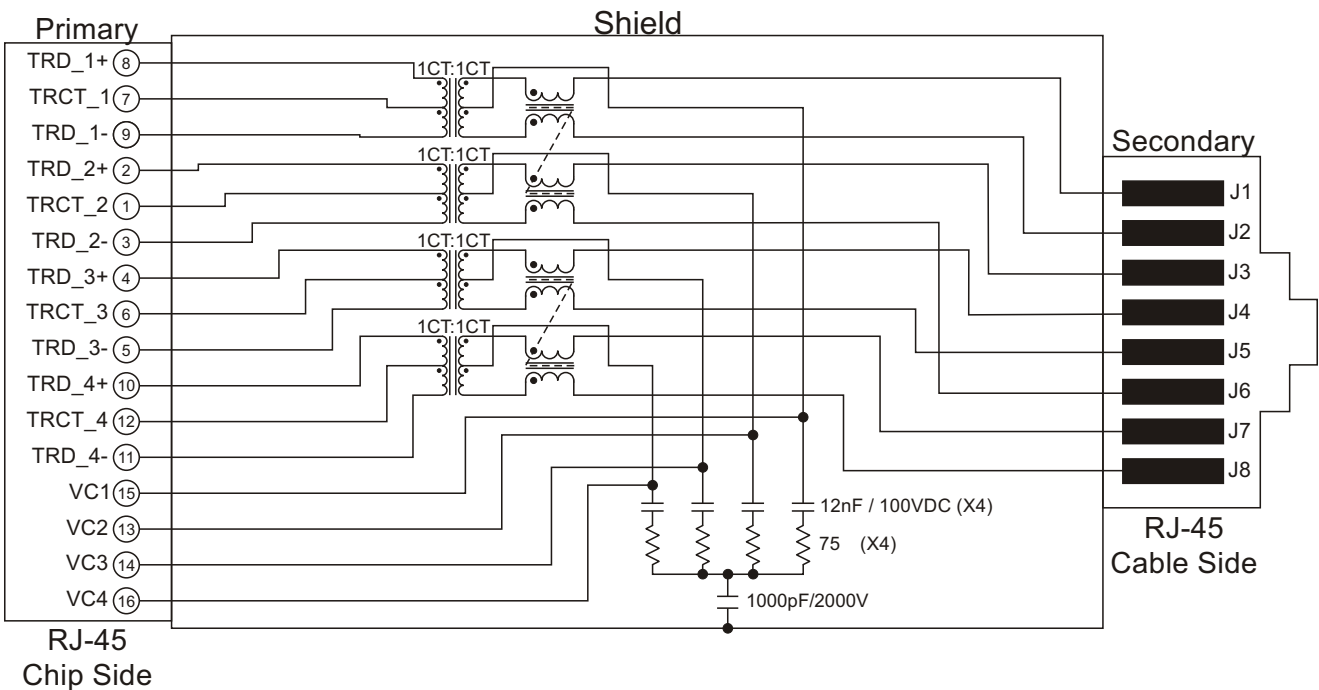


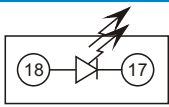
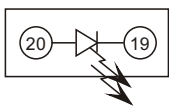
SCHEMATICS

EB004



EBB05



LEDs COLOR AND POLARITY							
MJ11U-11A		LED (LEFT)			LED (RIGHT)		
LED (RIGHT)		COLOR	POLARITY		COLOR	POLARITY	
			PIN 20	PIN 19		PIN 18	PIN 17
LED (LEFT)		GREEN	+	-	YELLOW	+	-

LED SPECIFICATION @25°C, FORWARD CURRENT = 20mA		
Standard Color	Typical Wavelength (nm)	Forward Voltage (volt)
		Typical
Green	565	2.2
Yellow	590	2.1

FOR MORE INFORMATION, PLEASE CONTACT

HEADQUARTER
2/F Block A, Merit Industrial Centre,
94 Tokwawan Road, Kowloon,
Hong Kong
Tel: (852) 2765 3888
Fax: (852) 2954 3304
Email: eempl@eleceltek.com
Website: <http://www.eleceltek.com>

Information herein is for reference only and subject to change without notice. It does not constitute any representation, warranty or commitment of the company in respect of the products in any aspect. All logos, brands and product names mentioned herein are trademarks or registered trademarks of their respective owners. The company does not assume any liability arising out of the application or use of any product or circuit described herein. Copyrights 2007, E & E Magnetic Products Limited.