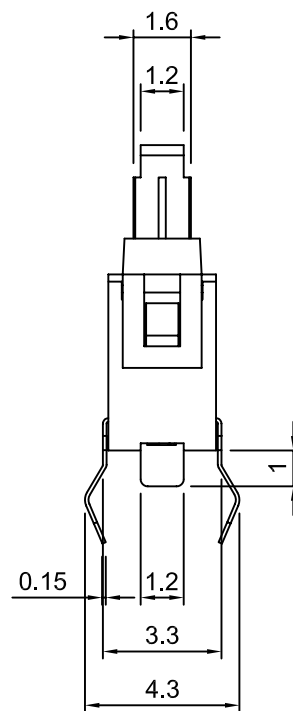
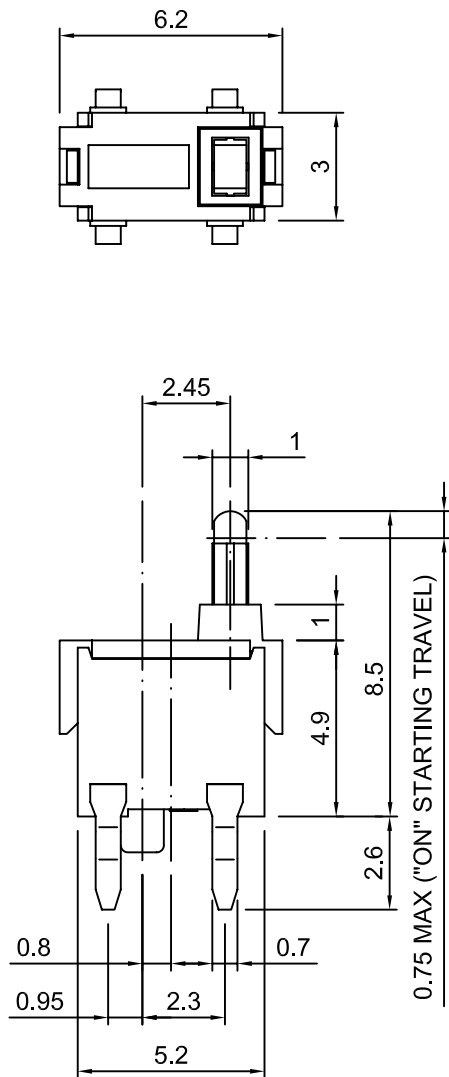
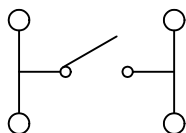


DIMENSION

DT002-P11AAA

CIRCUITP.C.B. LAYOUT