**Feature :**

Mini size
Single ploe , Single throw
Momentary

Applications :

Hearing Aid
Hand-held device

GENERAL SPECIFICATIONS**■ SPECIFICATIONS**

FUNCTION : Momentary action
CONTACT ARRANGEMENT : 1P1T

■ MECHANICAL

OPERATING FORCE : 75 ~ 150 cN (std)
35 ~ 60 cN (low)

TRAVEL : 0.5 mm

■ ELECTRICAL

CONTACT RATING : 3 V DC , 100 mA
CONTACT RESISTANCE : 150 mΩ MAX
INSULATION RESISTANCE : 100 V DC ,
1 MΩ Min

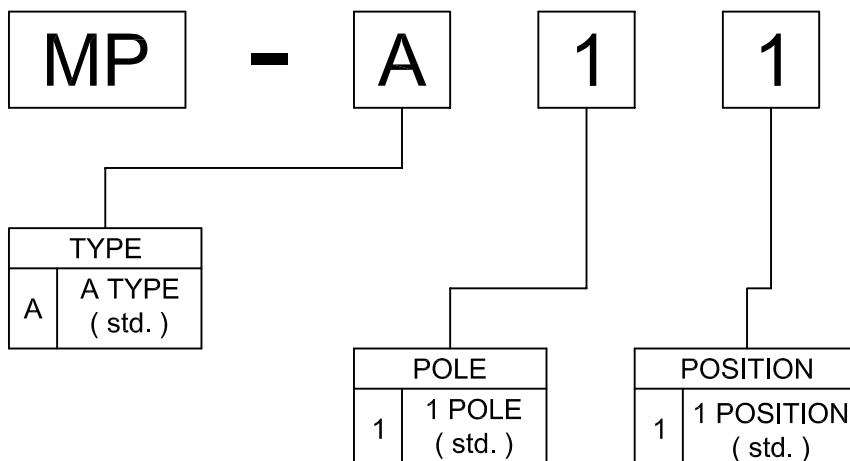
OPERATING LIFE : 100,000 cycles

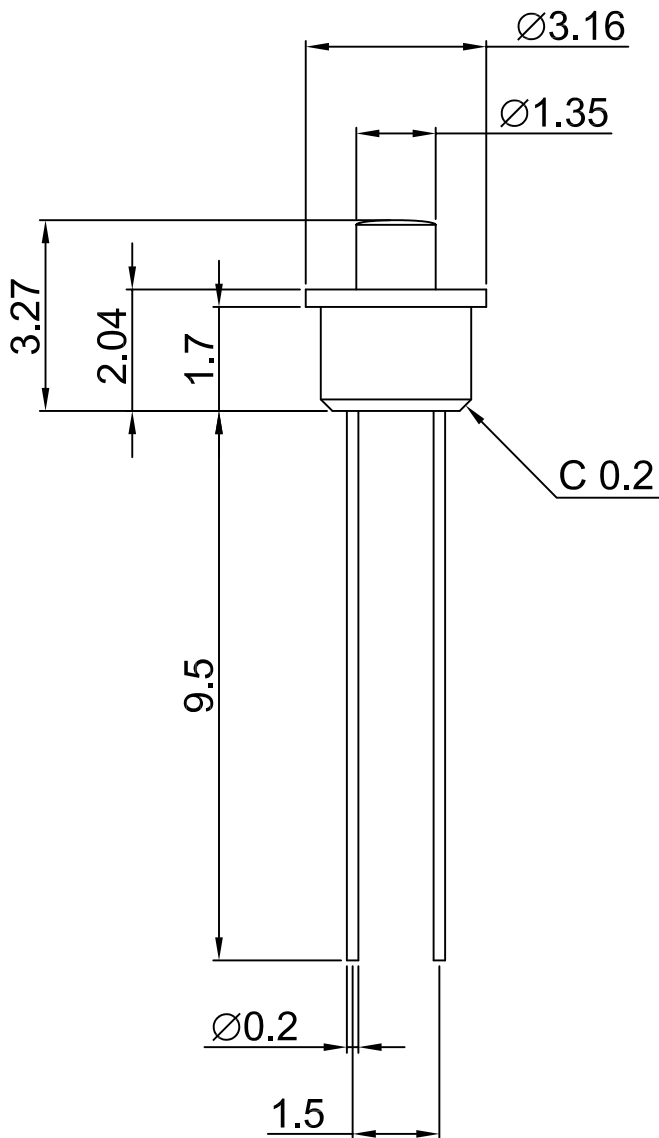
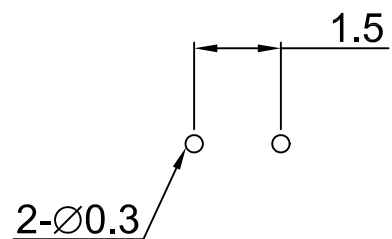
■ MATERIAL

COVER : PA9T
ACTUATOR : PA9T
BASE FRAME : PA9T
TERMINAL : GOLD FLASH

■ ENVIRONMENTAL

OPERATING TEMPERATURE : -20°C ~ 70°C .

HOW TO ORDER

MP-A11P.C.B. LAYOUTSCHEMATIC