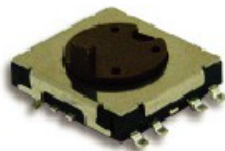


RM SERIES ROTARY SWITCH (8-WAY DIRECTION)

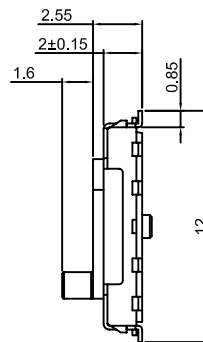
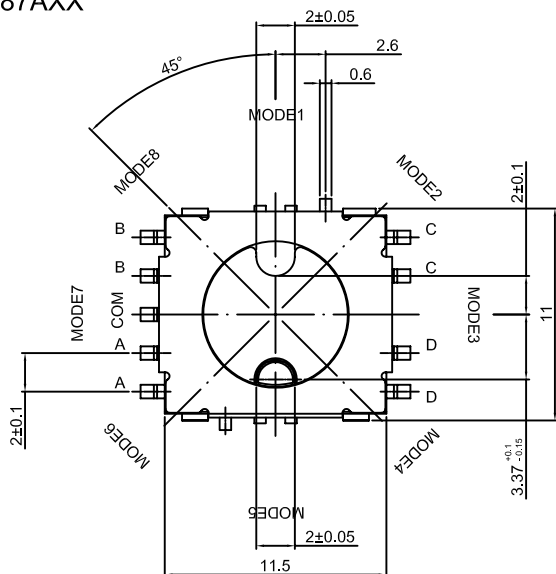


1. RATING : 24 V DC , 25 mA .
2. CONTACT RESISTANCE : (a) 70 mΩ MAX . (Initial)
(b) 200 mΩ MAX . (Final-after test)
3. INSULATION RESISTANCE : 500 V DC , 100 MΩ MIN .
4. ROTATIONAL TORQUE : 100 gf MIN , 250 gf MAX .
5. OPERATING LIFE : 10,000 CYCLES .
6. OPERATING TEMPERATURE RANGE : 20°C ~ 80°C .

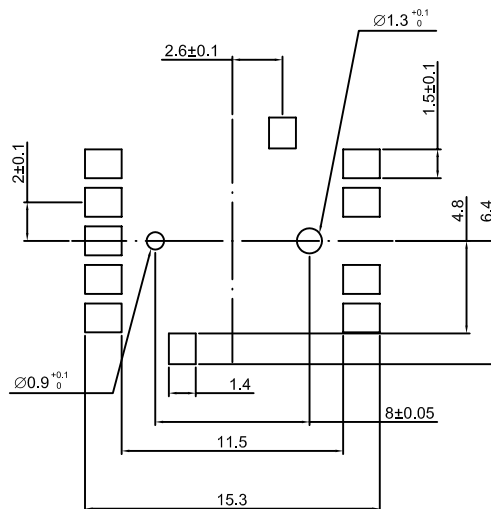
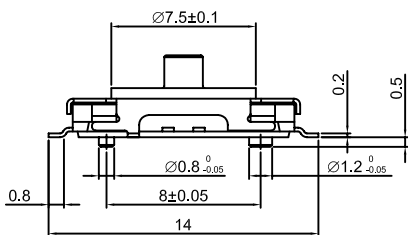
HOW TO ORDER

RM	-					
SERIES	TERMINAL	POLE	POSITION	EARTHING	OPERATION	PACKAGE
ROTARY SWITCH	M = SMT H = THROUGH HOLE	8	7 8	A B	F N	B = BULK T/R = TAPE & REEL (900/pcs)

RM-M87AXX



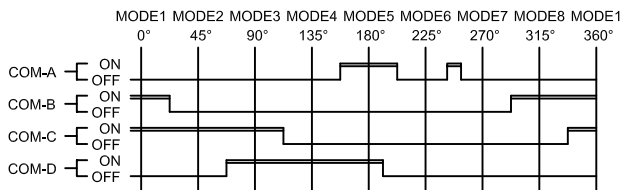
P.C.B LAYOUT



EARTHING

A	EARTHING
B	NON-EARTHING

Changeover Timing



OPERATION

F	WITH OPERATION FEELING
N	NON OPERATION FEELING

Changeover Angle

	MODE1	MODE2	MODE3	MODE4	MODE5	MODE6	MODE7	MODE8
COM-A	OFF	OFF	OFF	OFF	ON	OFF	OFF	OFF
COM-B	ON	OFF	OFF	OFF	OFF	OFF	OFF	ON
COM-C	ON	ON	ON	OFF	OFF	OFF	OFF	OFF
COM-D	OFF	OFF	ON	ON	ON	OFF	OFF	OFF