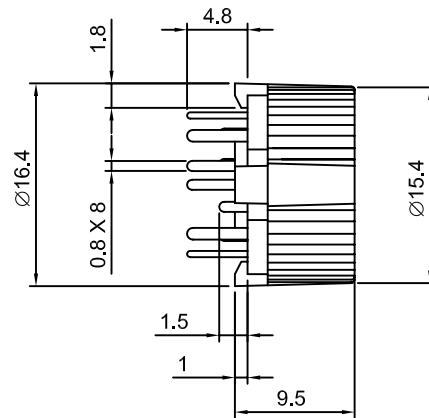
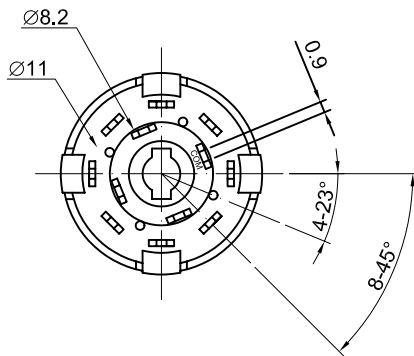
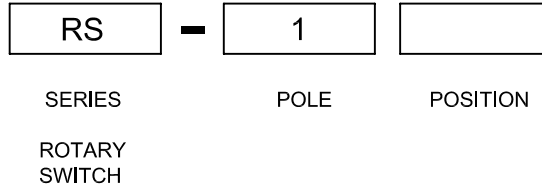


RS SERIES ROTARY SWITCH

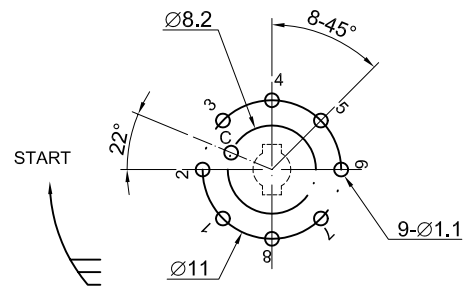
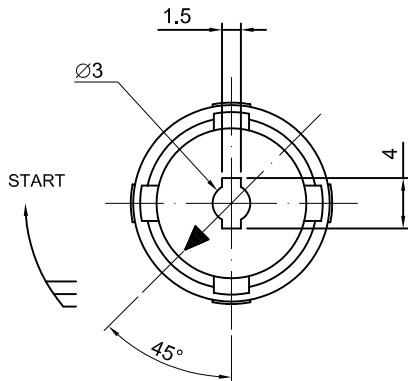


1. RATING : 30 V DC , 0,5 A .
2. CONTACT RESISTANCE : 25 mΩ MAX .
3. INSULATION RESISTANCE : 500 V DC , 100 MΩ MIN .
4. TORQUE FORCE : 300±100 gcm .
5. OPERATING TEMPERATURE : -20°C ~ 70°C .
6. OPERATING LIFE : 10,000 CYCLES .

HOW TO ORDER



P.C.B LAYOUT



POLE & POSITION

POLE	POSITION	POLE	POSITION
1	2	2	2
1	3	2	3
1	6	2	4
1	8		

SCHMATIC

