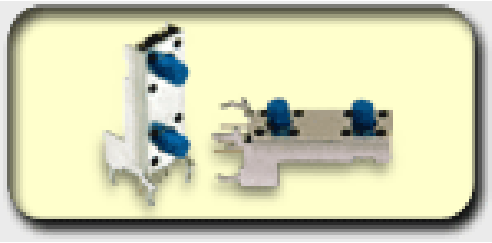


TC004 SERIES TACT SWITCH

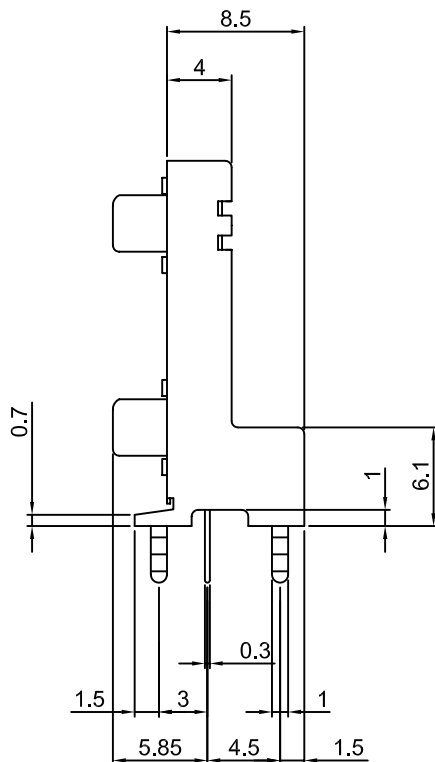
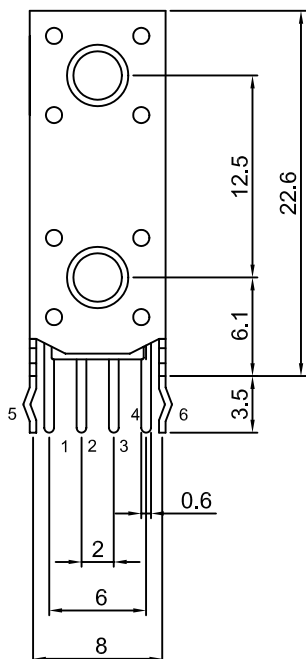
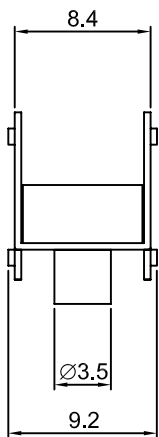


1. RATING : 12V DC 50mA MAX .
2. TRAVEL : 0.25±0.1mm .
3. OPERATING FORCE : 160±30 gf .
4. CONTACT RESISTANCE : 100mΩ MAX .
5. OPERATION TEMPERATURE RANGE : -20°C ~ 70°C .
6. OPERATION LIFE : 100 ,000 CYCLES .

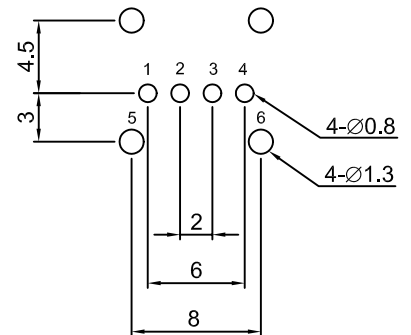
HOW TO ORDER

TC004						
SERIES	OPERATION	POLE	POSITION	CIRCUIT	FRAME	ACTUATOR
TACT SWITCH	N = NON-LOCK	2 = 2 POLES	1 = 1 OPSITION	A	A = STANDARD	A

TC004-N21AAA



P.C.B LAYOUT



CIRCUIT DIAGRAM

