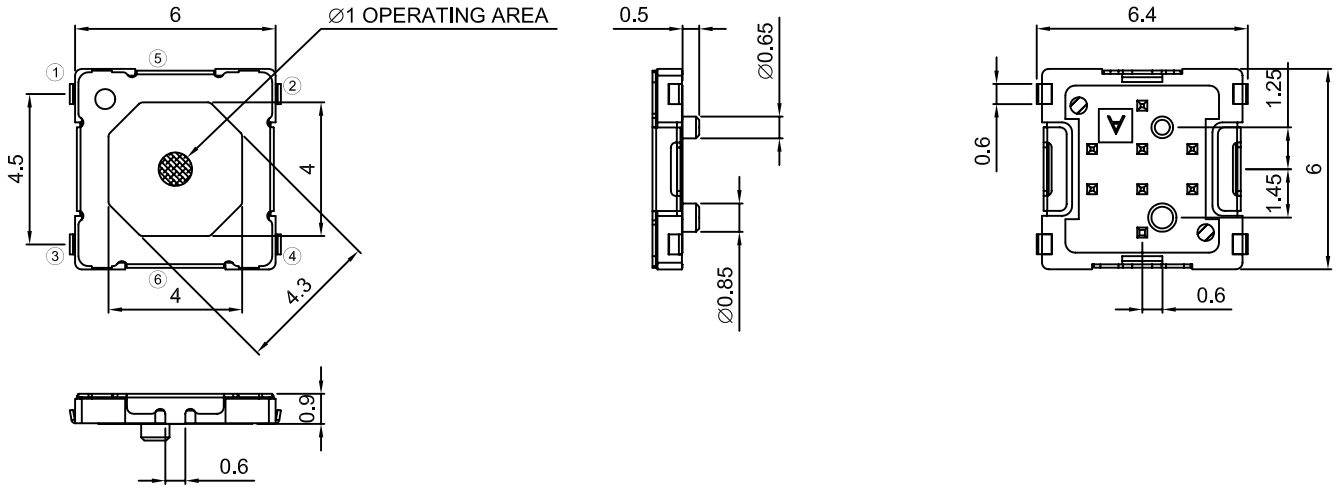
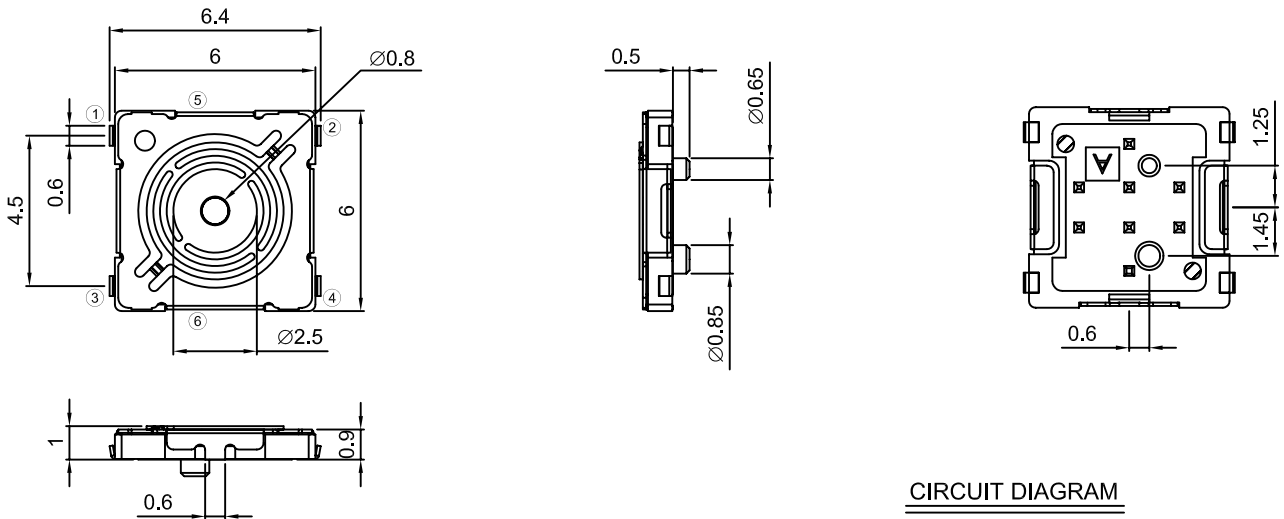


DIMENSION & FRAME TYPE

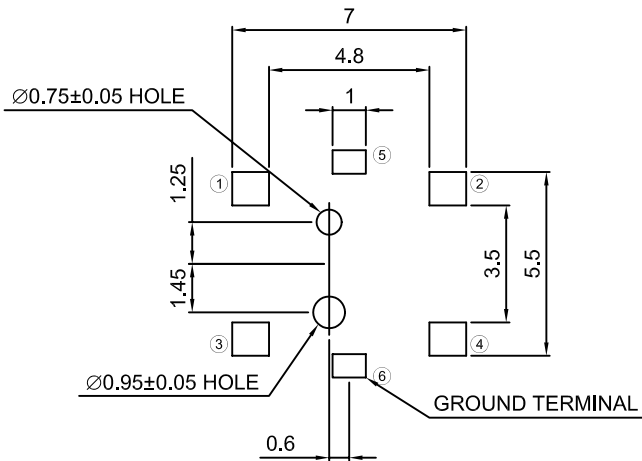
TC005-N11AAA



TC005-N11ABA

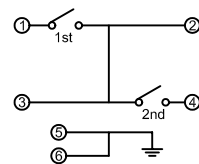


P.C.B. LAYOUT



HATCHED AREA SHOWS SOLDERING LAND

CIRCUIT DIAGRAM



OPERATING FORCE - TRAVEL CHART

