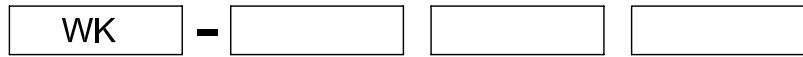


# WK SERIES PUSH SWITCH



1. RATING : 30 V DC , 100 mA .
2. CONTACT RESISTANCE : 50 mΩ MAX .
3. INSULATION RESISTANCE : 250 V DC , 100 MΩ MIN .
4. OPERATING FORCE : 160±80 gf (K1,K4,K6) ;  
200±80 gf (K8,K5) .
5. OPERATING LIFE : 10,000 CYCLES .

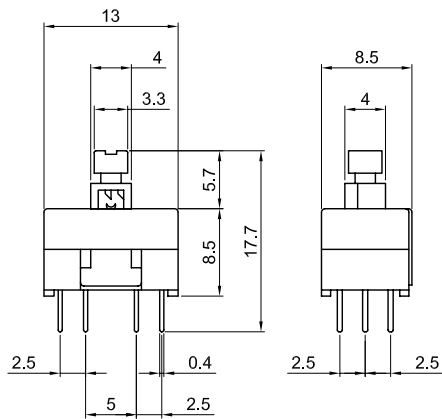
## HOW TO ORDER



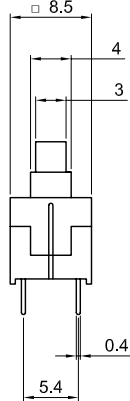
SERIES	FRAME TYPE	OPERATION	KNOB
PUSH SWITCH	K4 K5 K5L K6 K7 K8	L = LOCK N = NON-LOCK	CONSULTATION KNOB SERIES P.73~76

## Frame Type

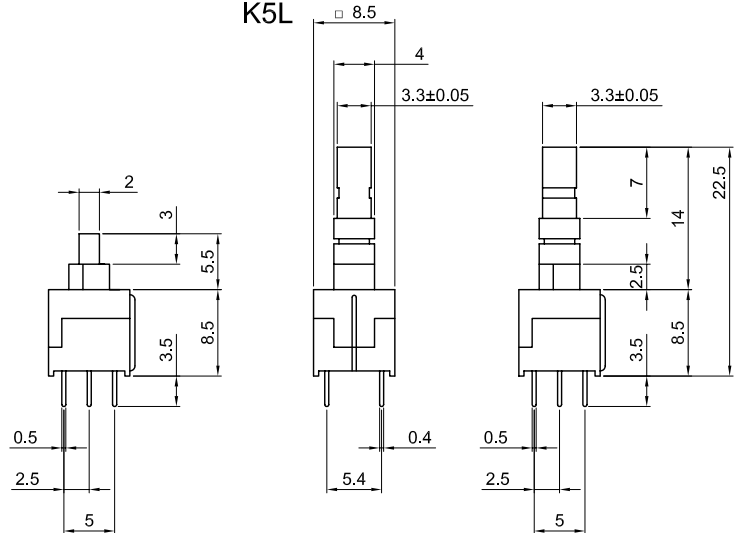
K4



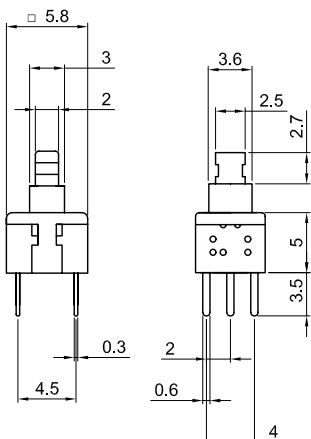
K5



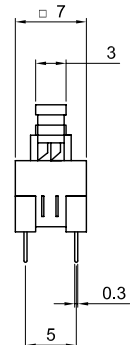
K5L



K6



K7



K8

