
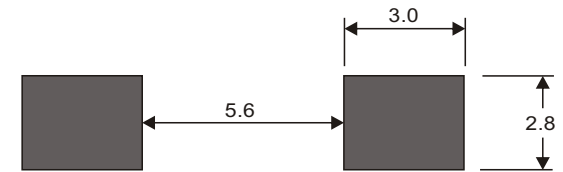
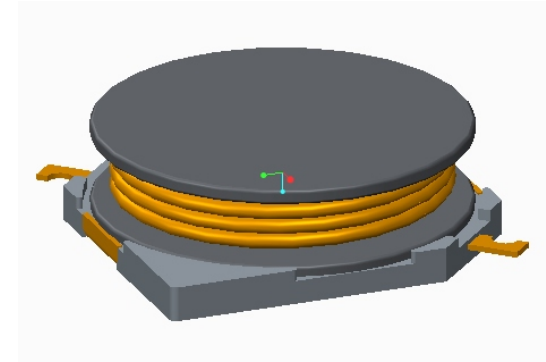
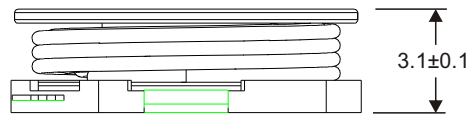
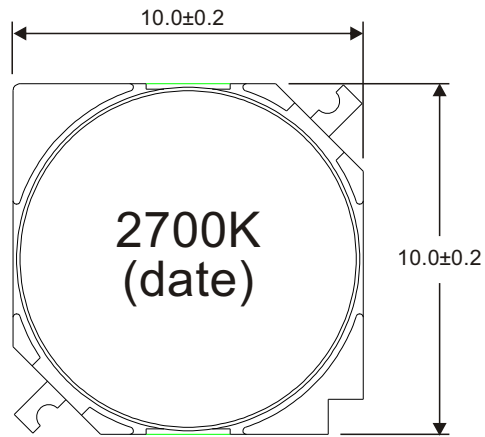


REVISIONS			
REV.	DESCRIPTION	ECN NO.	DATE
01	FIRST RELEASE	N/A	04/19/18

PART NUMBER		PART DESCRIPTION		TITLE										
A1D-Z1003F-XXXXX		RoHS compliant per EU Directive 2011/65/EU		SMD Z axis for NFC applications 10x10x3.2mm										
<p style="text-align: center;"><u>WARNING !</u></p> <p>ALL SHEETS OF THIS DOCUMENT ARE CONTROLLED DOCUMENTATION AND ARE NOT TO BE RELEASED OUTSIDE OF E&E OR ITS SUB-CONTRACTORS WITHOUT AUTHORIZATION.</p>	<p>UNLESS OTHERWISE SPECIFIED, DIMENSIONS ARE IN INCH/mm.</p> <p style="text-align: center;"><u>TOLERANCE ARE:</u></p> <table border="0"> <tr> <td><u>INCH</u></td> <td><u>mm</u></td> <td><u>ANGLE</u></td> </tr> <tr> <td>.XXX ± .005</td> <td>.XX ± 0.13</td> <td>X.X ± 0.3</td> </tr> <tr> <td>.XX ± .02</td> <td>.X ± 0.5</td> <td>X. ± 1</td> </tr> </table>	<u>INCH</u>	<u>mm</u>	<u>ANGLE</u>	.XXX ± .005	.XX ± 0.13	X.X ± 0.3	.XX ± .02	.X ± 0.5	X. ± 1	APPROVALS	DATE	 E & E Magnetic Products Ltd.	
		<u>INCH</u>	<u>mm</u>	<u>ANGLE</u>										
		.XXX ± .005	.XX ± 0.13	X.X ± 0.3										
		.XX ± .02	.X ± 0.5	X. ± 1										
		DRAWN BY												
J.S. CHEN	04/19/18	PROJ. ENG		DRAWING NO./MODEL	REV									
J.J. LI	04/19/18	APPROVED BY		A1D-Z1003F-XXXXX	01									
J.J. LI	04/19/18	Q.A.		SCALE	PAGE OF									
D. LUO	04/19/18			DO NOT SCALE	1 OF 3									



Recommended
Pad Layout

MECHANICAL OUTLINE



E & E Magnetic Products Ltd.

DRAWING NO./MODEL

A1D-Z1003F-XXXXX

REV

01

SCALE

DO NOT SCALE

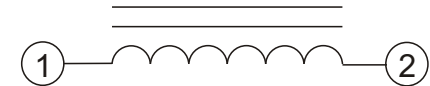
PAGE

OF

2

3

1. Dimensions are specified in mm.
2. Unless otherwise specified, all tolerances are ± 0.20 mm.
3. Coplanarity: 0.15mm Maximum.
4. Marking "XXXXX" is the inductance code which is described in page 3.




SCHEMATIC

ELECTRICAL SPECIFICATION @25°C:

E&E part number A1D-Z1003F-XXXXX	L@13.56MHz (uH)	Inductance Tolerances (%)	Frequency (MHz)	Q ⁵ Min	SRF(MHz) ⁶ Min	DCR(Ω)	Marking (YYYY)
A1D-Z1003F-2700K	2.70	± 10	13.56	80.0	25	0.130 $\pm 10\%$	2700K

5. L and Q factor measured at 13.56MHz, 0.1Vrms.
6. SRF: Self Resonant Frequency of the coil.
7. Operating temperature range: -40°C to +100°C.
8. This chart is a reference guide for the most common required values at working frequency of 13.56MHz, any other inductance value or tighter tolerances can be provided, please contact our sales department for any inquiry.

 E & E Magnetic Products Ltd.		
DRAWING NO./MODEL		REV
A1D-Z1003F-XXXXX		01
SCALE	PAGE	OF
DO NOT SCALE	3	3