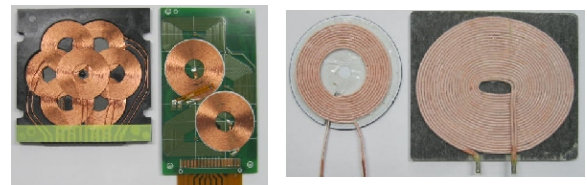
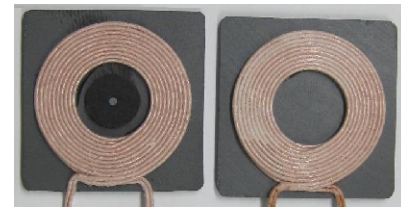
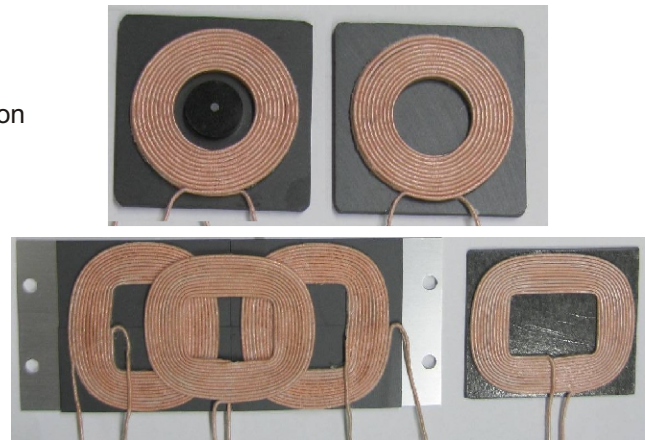


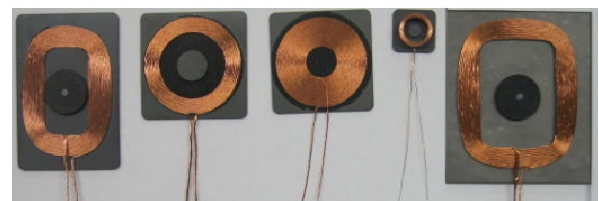


- Designed for Portable Electronic Device application
- Both WPC "A" Series & "B" Series Tx are available
- High efficiency & suitable for Wireless Power application
- Meet WPC Coil requirement
- Coil Parts are in Mass Production
- Support other custom shape and dimension
- Various operating temperature range available
- RoHS and REACH compliant
- Small, Thin, Safe and Reliable



Tx

Rx



ELECTRICAL SPECIFICATION @ 25°C

Part ¹ Number	Type	Inductance ² (uH typ)
Y31-60014F	Coil Module - Tx (A1,A9)	24.0
Y31-60033F	Coil Module - Tx (A5)	6.3
Y31-60037F	Coil Module - Tx (A6,A13,A34)	12.5/11.5
Y31-60053F	Coil Module - Tx (A10)	24.0
Y31-60055F	Coil Module - Tx (A11)	6.3
Y31-60082F	Coil Module - Tx (Single A6)	12.5
Y31-60054F	Coil Module - Tx (A6,A13,A34)	12.5/11.5
Y31-60144F	Coil Module - Tx (A7)	14.5
Y31-60081F	Coil Module - Tx (A11)	6.3
Y31-60091F	Coil Module - Tx (A12)	7.0
Y31-60107F	Coil Module - Tx (A19)	12.5/11.5
Y31-60113F	Coil Module - Tx (A20,A30,A31)	24.0
Y31-60131F	Coil Module - Tx (A22,A23)	19.0
Y31-60132F	Coil Module - Tx (A24)	6.1
Y31-60133F	Coil Module - Tx (A25)	6.1
Y31-60134F	Coil Module - Tx (A26)	6.3
Y31-60117FH	Coil Module - Tx (A27)	24.0
Y31-60140F	Coil Module - Tx (A28)	6.9/6.4
Y31-60152F	Coil Module - Tx (A29)	9.8
Y31-60008F	Coil Module - Tx (B1)	8.6 - 9.62
Y31-60027F	Coil Module - Tx (B3)	11.15 - 13.25
Y31-60126F	Coil Module - Tx (B4)	8.0 - 9.2
Y31-60127F	Coil Module - Tx (B5)	8.0 - 9.2
Y31-60104FH	Coil Module - Tx (B6)	6.5/5.5
Y31-60215F	Coil Module - Tx (B7)	6.0

Notes:

1. Contact EEMPL for customized version and availability.
2. For custom DCR or inductance design, please contact EEMPL for support.

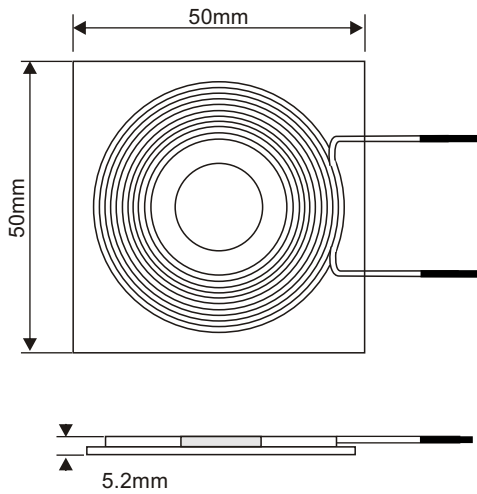
ELECTRICAL SPECIFICATION @ 25°C

Part ¹ Number	Type	Inductance ² (uH typ)
Y31-60018F	Coil Module - Rx(a)	15.3
Y31-60016F-1	Coil Module - Rx(b)	23.8
Y31-60019F	Coil Module - Rx(c)	33.3
Y31-60020F	Coil Module - Rx(d)	220.0
Y31-60048F-1	Coil Module - Rx(e)	12.0
Y31-60080F	Coil Module - TPR#2	16.5
Y31-70044F	Coil Module - TPR#5,#6	11.1

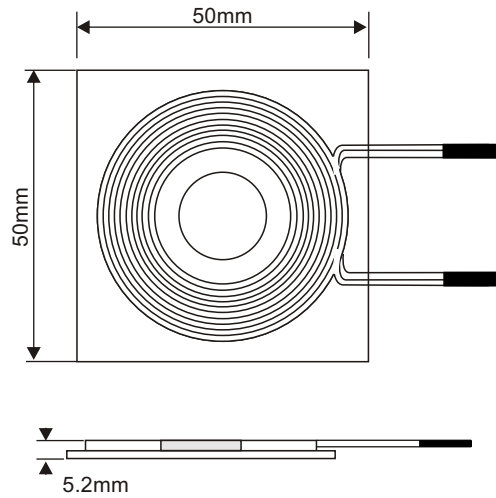


MECHANICAL DIMENSION

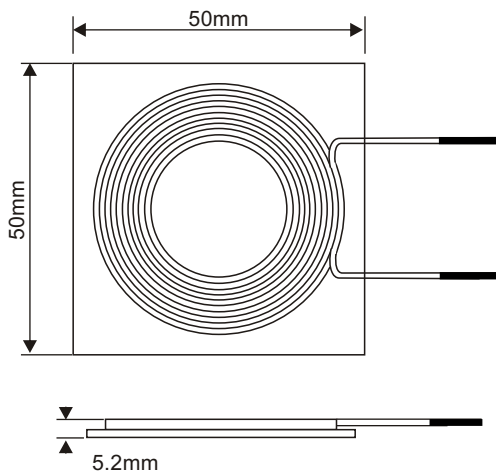
Y31-60014F (A1)



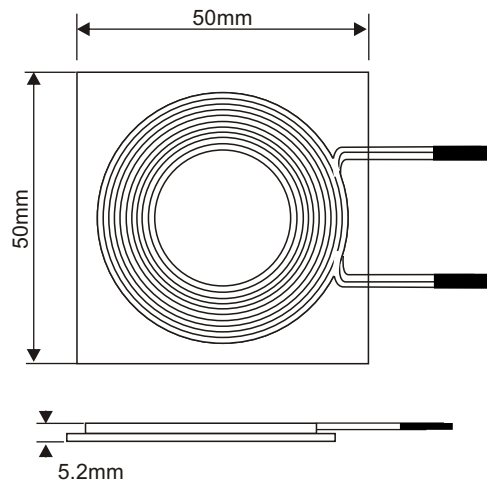
Y31-60033F (A5)



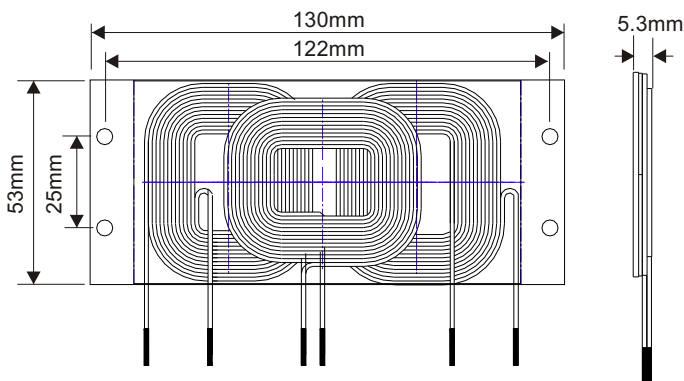
Y31-60053F (A10)



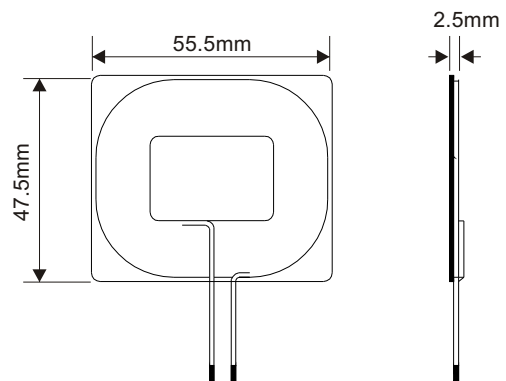
Y31-60055F (A11)



Y31-60037F (A6,A13,A34)



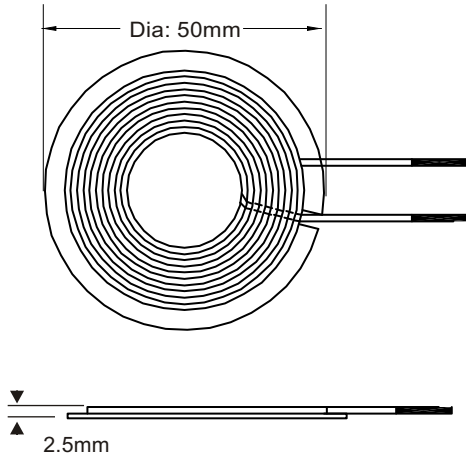
Y31-60082F (A6)



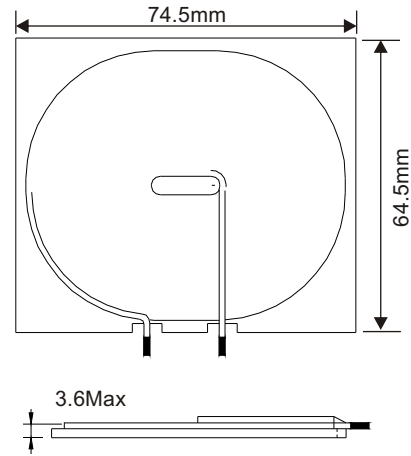


MECHANICAL DIMENSION

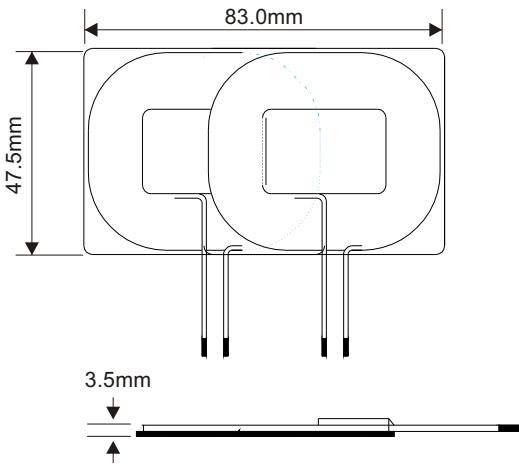
Y31-60081F (A11)



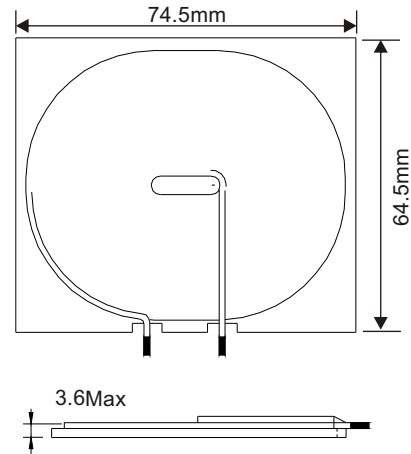
Y31-60091F (A12)



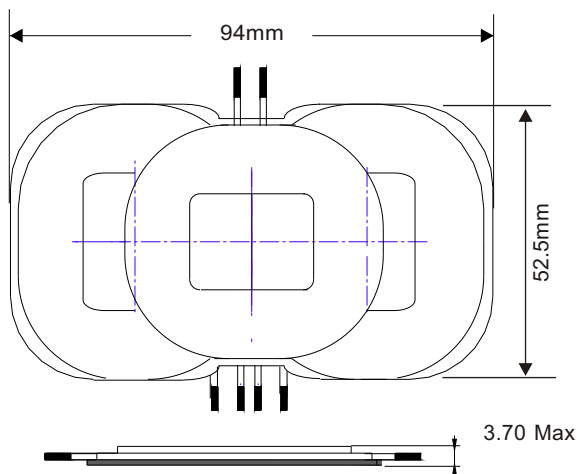
Y31-60107F (A19)



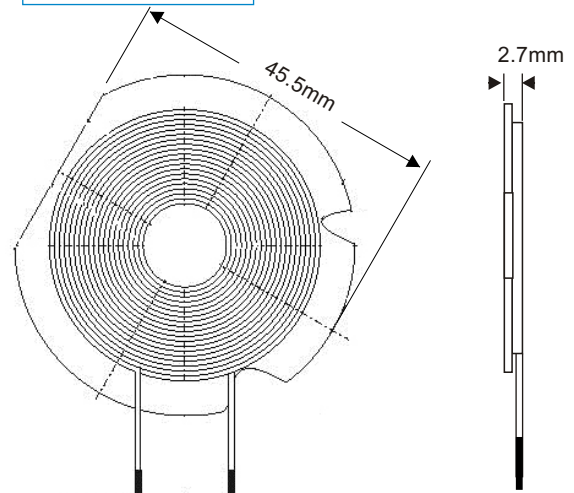
Y31-60113F (A20,A30,A31)



Y31-60054F (A6,A13,A34)



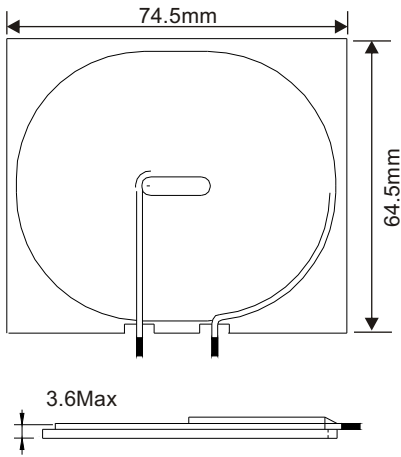
Y31-60144F (A7)



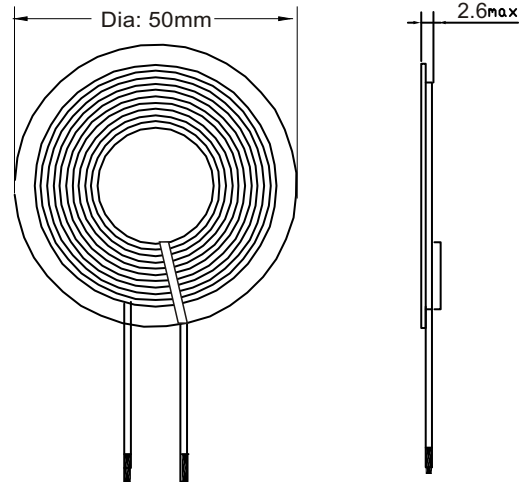


MECHANICAL DIMENSION

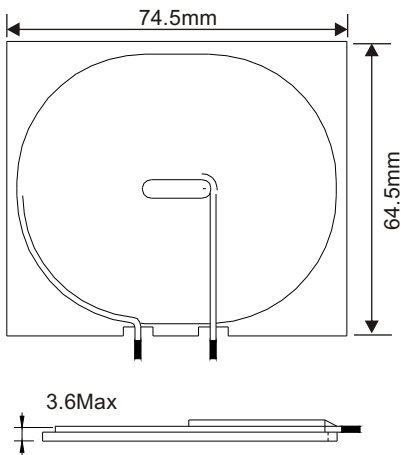
Y31-60131F (A22,A23)



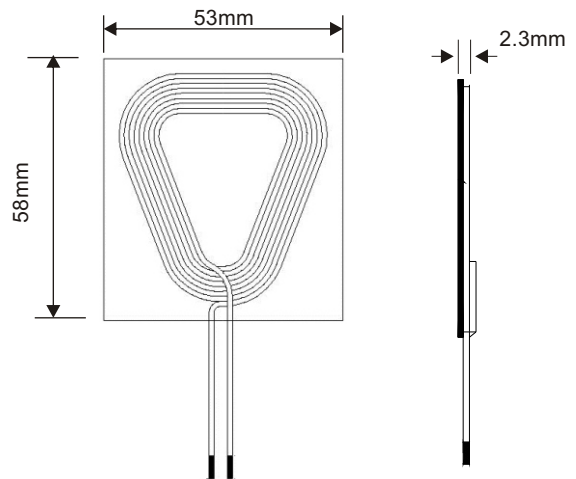
Y31-60132F (A24)



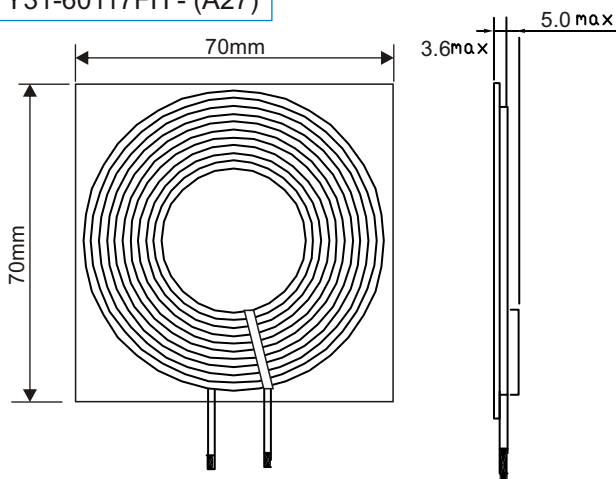
Y31-60133F (A25)



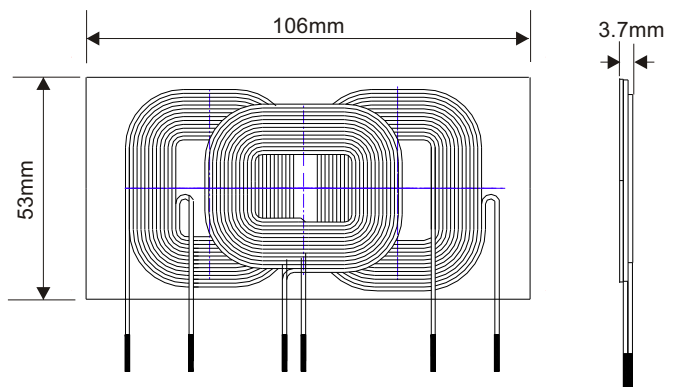
Y31-60134F (A26)



Y31-60117FH - (A27)



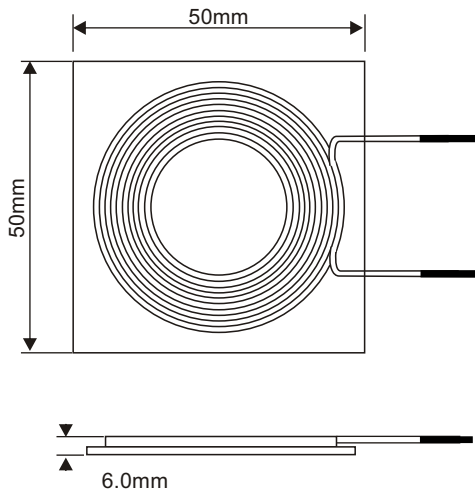
Y31-60140F (A28)





MECHANICAL DIMENSION

Y31-60152F (A29)

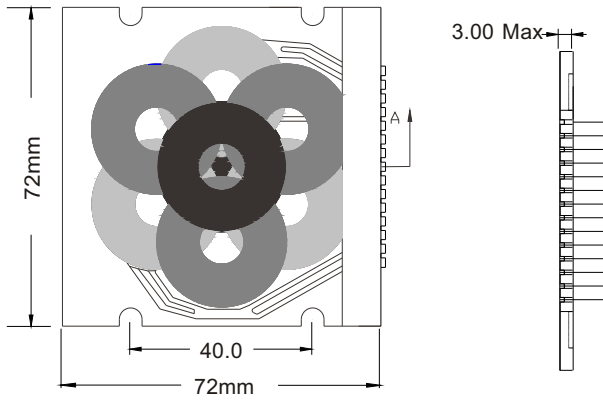


Below is intentionally left blank

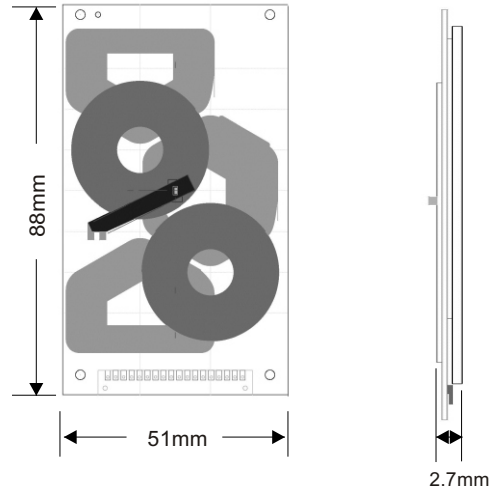


MECHANICAL DIMENSION

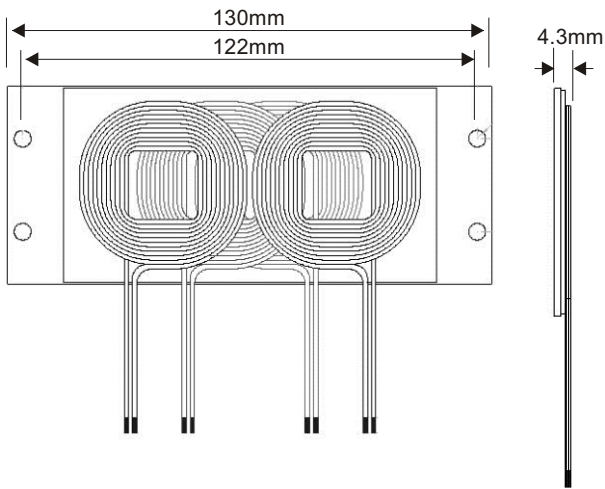
Y31-60008F (B1)



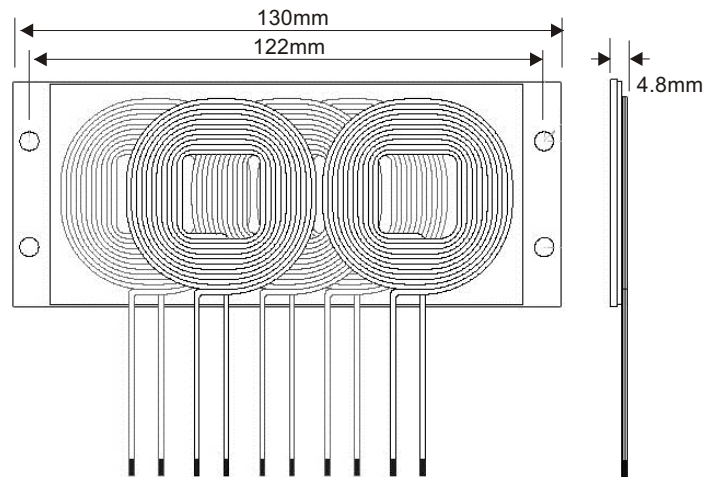
Y31-60027F (B3)



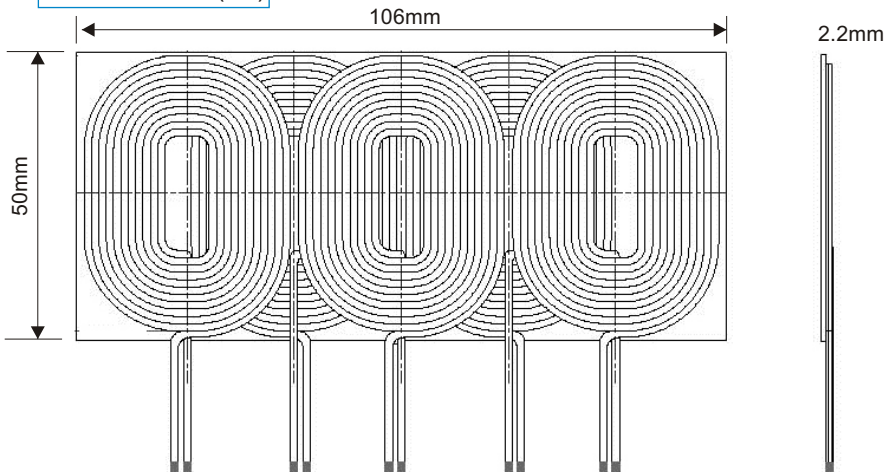
Y31-60126F (B4)



Y31-60127F (B5)



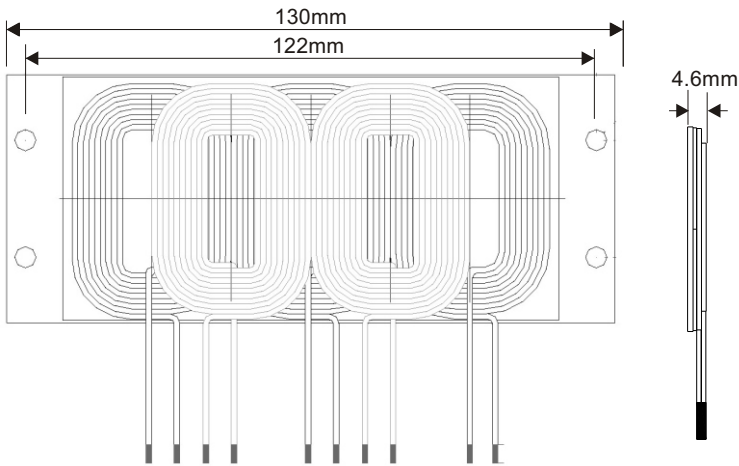
Y31-60104FH (B6)





MECHANICAL DIMENSION

Y31-60215F (B7)

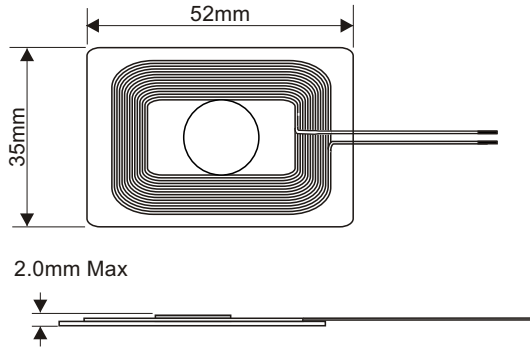


Below is intentionally left blank

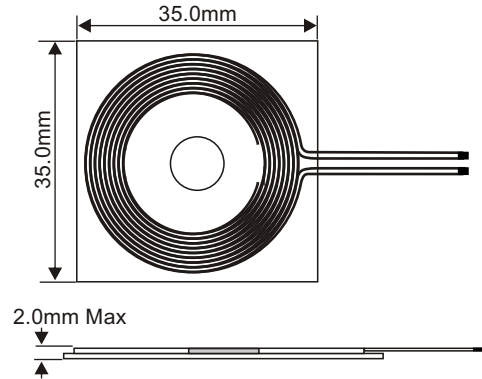


MECHANICAL DIMENSION

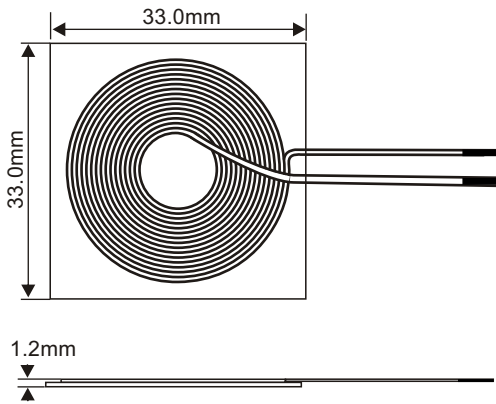
Y31-60018F



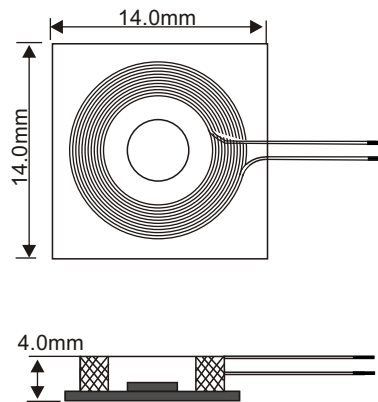
Y31-60016F-1



Y31-60019F



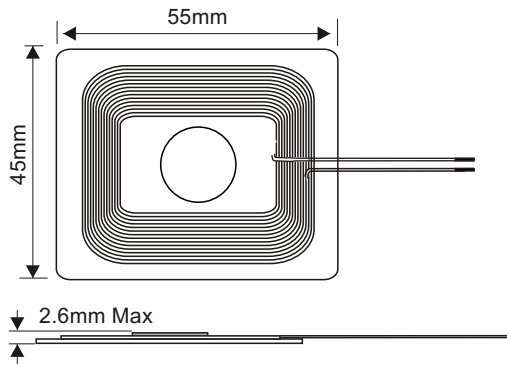
Y31-60020F



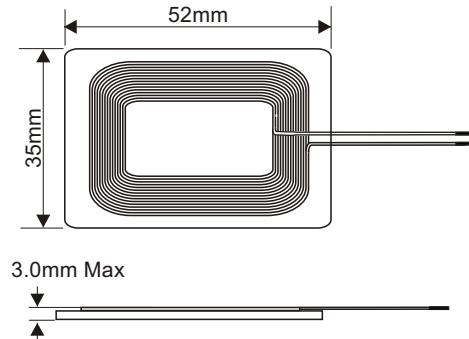


MECHANICAL DIMENSION

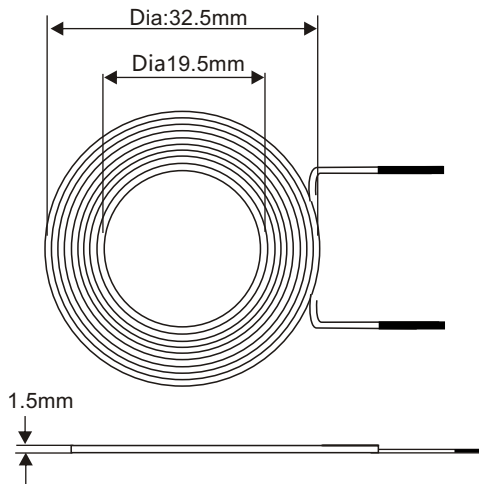
Y31-60048F-1



Y31-60080F



Y31-70044F



FOR MORE INFORMATION, PLEASE CONTACT

HEADQUARTER
FLAT G, 5/F, Valiant Industrial Centre,
2-12 Au Pui Wan Street,
Fotan, N.T., Hong Kong
Tel: (852) 2954 3333; Fax: (852) 2954 3304
Email: eempl@eleceltek.com
Website: <http://www.eemagnetic.com>

Information herein is for reference only and subject to change without notice. It does not constitute any representation, warranty or commitment of the company in respect of the products in any aspect. All logos, brands and product names mentioned herein are trademarks or registered trademarks of their respective owners. The company does not assume any liability arising out of the application or use of any product or circuit described herein. Copyrights 2016, E & E Magnetic Products Limited.