

REVISIONS			
REV.	DESCRIPTION	ECN NO.	DATE
01	FIRST RELEASE	N/A	10/17/14

PAGE 5 & 6 ARE FOR INTERNAL ONLY

When ordering, please add suffix "T" to the part number for tape & reel packaging(13" reel).

PART NUMBER	PART DESCRIPTION
ASISCDRH73x-yyyR	RoHS compliant per EU Directive 2011/65/EU

TITLE
PPIN, SHIELDED DRUM, SMD, 2 PIN


WARNING !
 ALL SHEETS OF THIS DOCUMENT ARE CONTROLLED DOCUMENTATION AND ARE NOT TO BE RELEASED OUTSIDE OF E&E OR ITS SUB-CONTRACTORS WITHOUT AUTHORIZATION.

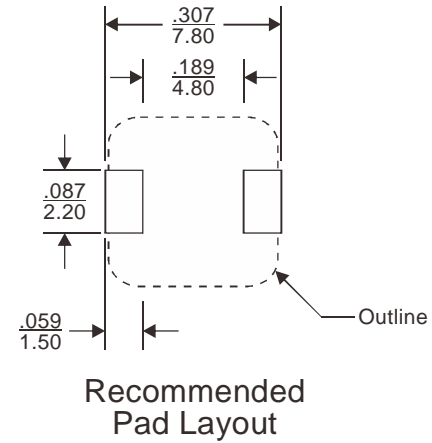
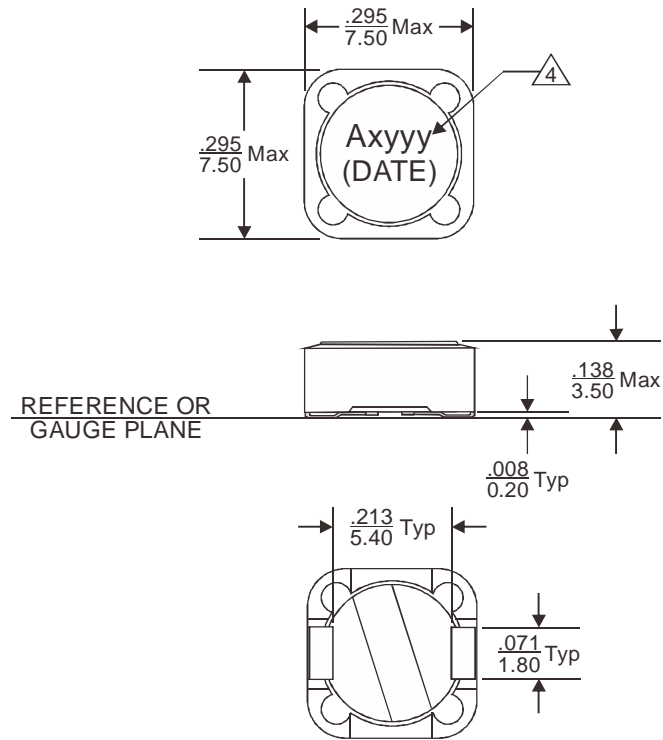
UNLESS OTHERWISE SPECIFIED, DIMENSIONS ARE IN INCH/mm.

TOLERANCE ARE:

INCH	mm	ANGLE
.XXX ± .005	.XX ± 0.13	X.X ± 0.3
.XX ± .02	.X ± 0.5	X. ± 1

APPROVALS	DATE
DRAWN BY J. FENG	10/17/14
PROJ. ENG J. FENG	10/17/14
APPROVED BY J. YANG	10/17/14
Q.A. D. LUO	10/17/14

 E & E Magnetic Products Ltd.	
DRAWING NO./MODEL ASISCDRH73x-yyyR	REV 01
SCALE DO NOT SCALE	PAGE 1 OF 6



1. Dimensions are specified in $\frac{\text{inches}}{\text{mm}}$ with higher precedence in mm.
2. Unless otherwise specified, all tolerances are $\pm \frac{.010}{0.25}$.
3. Coplanarity: $\frac{.004}{0.10}$ maximum.
4. Marking "Axyyy" is the inductance code which is described in page 3.
5. "(DATE)" includes at least the manufacturing date code (in YYWW format) plus manufacturing side code.

MECHANICAL OUTLINE



E & E Magnetic Products Ltd.

DRAWING NO./MODEL		REV	
ASISCDRH73x-yyyR		01	
SCALE	PAGE	OF	
DO NOT SCALE	2	6	

ELECTRICAL SPECIFICATION @25°C:

E&E Part Number ASISCDRH73x-yyyR	Inductance L (μH)	Inductance Tolerances (%)	DCR (Ω) Max	Rated D.C. Current (A)	Marking (Axyyy)
		M			
ASISCDRH73M-R54R	0.54	±20	8.5m	5.60	AMR54
ASISCDRH73M-100R	10	±20	72m	1.68	AM100
ASISCDRH73M-120R	12	±20	98m	1.52	AM120
ASISCDRH73M-150R	15	±20	0.13	1.33	AM150
ASISCDRH73M-180R	18	±20	0.14	1.20	AM180
ASISCDRH73M-220R	22	±20	0.19	1.07	AM220
ASISCDRH73M-270R	27	±20	0.21	0.96	AM270
ASISCDRH73M-330R	33	±20	0.24	0.91	AM330
ASISCDRH73M-390R	39	±20	0.32	0.77	AM390
ASISCDRH73M-470R	47	±20	0.36	0.76	AM470
ASISCDRH73M-560R	56	±20	0.47	0.68	AM560
ASISCDRH73M-680R	68	±20	0.52	0.61	AM680
ASISCDRH73M-820R	82	±20	0.69	0.57	AM820
ASISCDRH73M-101R	100	±20	0.79	0.50	AM101
ASISCDRH73M-121R	120	±20	0.89	0.49	AM121
ASISCDRH73M-151R	150	±20	1.27	0.43	AM151
ASISCDRH73M-181R	180	±20	1.45	0.39	AM181
ASISCDRH73M-221R	220	±20	1.65	0.35	AM221
ASISCDRH73M-271R	270	±20	2.31	0.32	AM271
ASISCDRH73M-331R	330	±20	2.62	0.28	AM331
ASISCDRH73M-391R	390	±20	2.94	0.26	AM391
ASISCDRH73M-471R	470	±20	4.18	0.24	AM471
ASISCDRH73M-561R	560	±20	4.67	0.22	AM561
ASISCDRH73M-681R	680	±20	5.73	0.19	AM681
ASISCDRH73M-821R	820	±20	6.54	0.18	AM821
ASISCDRH73M-102R	1000	±20	9.44	0.16	AM102

6. Add the tolerance code of inductance by replacing "X" of the part number by: M=±20%.

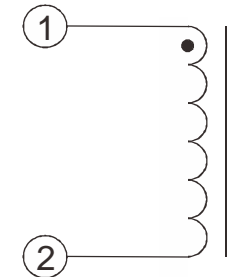
7. Inductance tested at 1kHz.

8. Rated current indicates the value of current when the inductance decreases to 75% typical of it's initial value or DC current when the temperature rising Δt=40°C, whichever is lower.

9. Operating temperature range: -40°C to +125°C.

10. The part temperature (ambient temperature + temperature rise) should not exceed the upper limit of the operating temperature under worst case operating conditions. Circuit design, component placement, PWB trace size and thickness, airflow and other cooling provisions all affect the part temperature. Part temperature should be verified in the end application.

11. Product has been designed to be compliant with AEC-Q200.



SCHEMATIC



E & E Magnetic Products Ltd.

DRAWING NO./MODEL

ASISCDRH73x-yyyR

REV

01

SCALE

DO NOT SCALE

PAGE

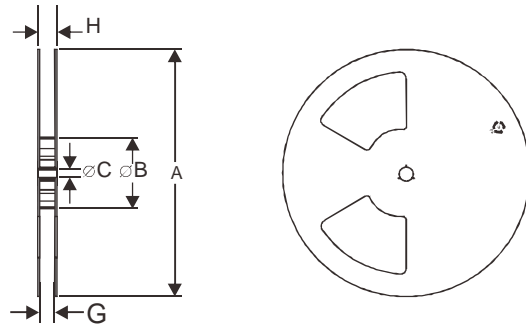
OF

3

6

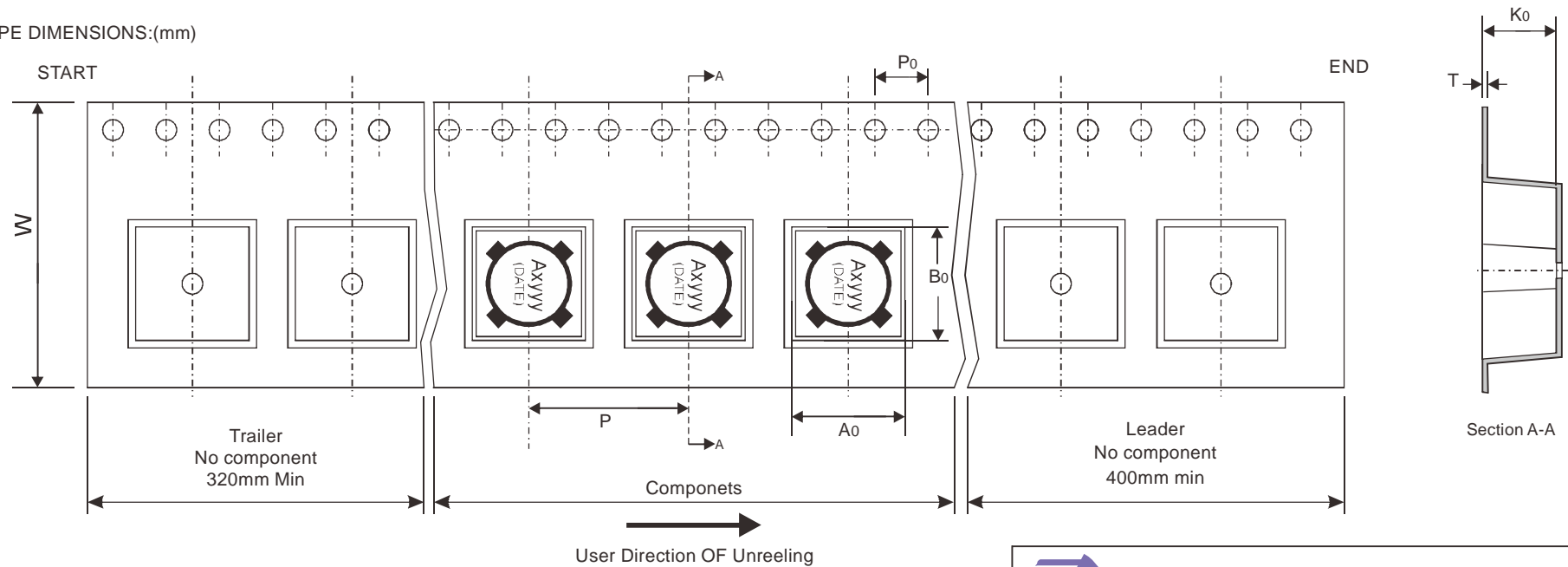
PACKAGING INFORMATION

(1) CONFIGURATION:(mm)



SYMBOL	A	B	C	G	H
DIM	330	100	13	16.4	21.4

(2) TAPE DIMENSIONS:(mm)



SYMBOL	A0	B0	K0	W	P	P0	T
DIM	7.60 Typ	7.60 Typ	4.00 Typ	16.0 ± _{0.10}	12.0 ± _{0.10}	4.0 ± _{0.10}	0.40 REF



E & E Magnetic Products Ltd.

DRAWING NO./MODEL

ASISCDRH73x-yyyR

REV

01

SCALE

DO NOT SCALE

PAGE

4

OF

6