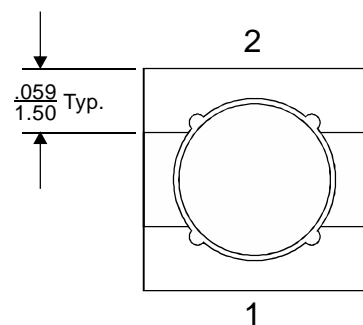


RECOMMENDED PCB LAYOUT



MECHANICAL OUTLINE



E & E Magnetic Products Ltd.

DRAWING NO./MODEL

ASISSD25X-YYYYF

REV

01

SCALE

DO NOT SCALE

PAGE

2

OF

4

1. Dimensions are specified in $\frac{\text{inches}}{\text{mm}}$ with higher precedence in mm.

2. Unless otherwise specified, all tolerances are $\pm \frac{.010}{0.25}$.

3. Coplanarity: $\frac{.004}{0.10}$ Max.

4. ASISSD25X-YYYYF, the part will be marked with "AXYYY".

ELECTRICAL SPECIFICATION @25°C:

E&E Part No. ASISSD25X-YYYY	Rated Inductance (μ H) TYP	Inductance, L (μ H)	Inductance Tolerance(%) X=M	Test Frequency (KHz)	I _{rms} (A)	I _{sat} (A)	DCR (Ω) TYP	Volt u-sec TYP	Marking (YYYY)
ASISSD25M-R47F	0.47	0.466	± 20	100	3.88	6.00	17.7m	1.46	MR47
ASISSD25M-R82F	0.82	0.77	± 20	100	3.58	4.67	20.8m	1.87	MR82
ASISSD25M-1R2F	1.20	1.15	± 20	100	3.33	3.81	24.0m	2.29	M1R2
ASISSD25M-1R5F	1.50	1.61	± 20	100	3.12	3.23	27.4m	2.70	M1R5
ASISSD25M-2R2F	2.20	2.14	± 20	100	2.93	2.80	31.1m	3.12	M2R2
ASISSD25M-3R3F	3.30	3.43	± 20	100	2.64	2.21	38.4m	3.95	M3R3
ASISSD25M-4R7F	4.70	5.03	± 20	100	2.39	1.83	46.7m	4.78	M4R7
ASISSD25M-6R8F	6.80	6.93	± 20	100	2.19	1.56	55.6m	5.62	M6R8
ASISSD25M-8R2F	8.20	7.99	± 20	100	1.92	1.45	72.4m	6.03	M8R2
ASISSD25M-100F	10.0	10.35	± 20	100	1.80	1.27	82.4m	6.86	M100
ASISSD25M-150F	15.0	14.45	± 20	100	1.67	1.08	95.6m	8.11	M150
ASISSD25M-220F	22.0	22.81	± 20	100	1.34	0.857	147.8m	10.19	M220
ASISSD25M-330F	33.0	33.07	± 20	100	1.11	0.711	214.9m	12.27	M330
ASISSD25M-470F	47.0	47.89	± 20	100	0.919	0.592	315.6m	14.77	M470
ASISSD25M-680F	68.0	68.64	± 20	100	0.741	0.482	485.0m	17.68	M680
ASISSD25M-820F	82.0	82.17	± 20	100	0.713	0.441	524.2m	19.34	M820
ASISSD25M-101F	100	100.79	± 20	100	0.670	0.398	593.7m	21.42	M101
ASISSD25M-151F	150	148.4	± 20	100	0.553	0.328	872.3m	26.00	M151
ASISSD25M-221F	220	222.4	± 20	100	0.446	0.268	1.34	31.82	M221
ASISSD25M-331F	330	332.2	± 20	100	0.359	0.219	2.07	38.90	M331
ASISSD25M-471F	470	472.4	± 20	100	0.293	0.184	3.10	46.38	M471
ASISSD25M-681F	680	677.2	± 20	100	0.262	0.154	3.88	55.54	M681
ASISSD25M-821F	820	826.7	± 20	100	0.230	0.139	5.04	61.36	M821
ASISSD25M-102F	1000	1003.4	± 20	100	0.216	0.126	5.70	67.60	M102

5. Add the tolerance code of inductance by replacing "X" of the part number by: M = ± 20%.

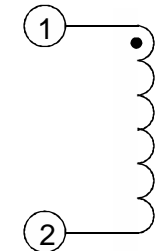
6. Test frequency is specified as the frequency for measuring the inductance @ 0.25V_{rms}, 0.0A_{dc}.

7. RMS current is for an approximate ΔT of 40°C without core loss. It is recommended that the temperature of the part does not exceed 125°C.

8. Peak current is for approximate 30% typical roll off of inductance.

9. Rated Inductance and Voltage μ -Sec. are for reference only.

10. Operating temperature: -40°C to +85°C.



SCHEMATIC

E & E Magnetic Products Ltd.	
DRAWING NO./MODEL ASISSD25X-YYYY	REV 01
SCALE DO NOT SCALE	PAGE 3 OF 4