
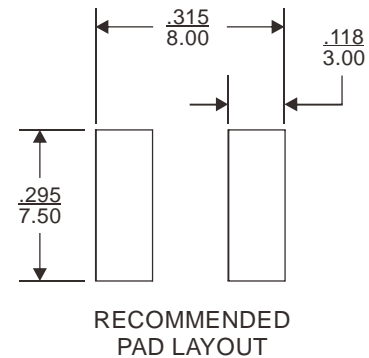
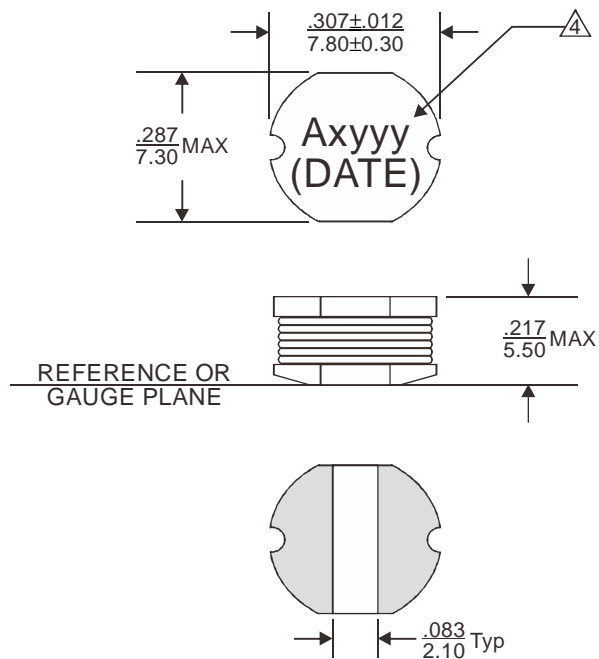


REVISIONS			
REV.	DESCRIPTION	ECN NO.	DATE
01	FIRST RELEASE	N/A	10/20/14

When ordering, please add suffix "T" to the part number for tape & reel packaging(13" reel).

PAGE 5 & 6 ARE FOR INTERNAL ONLY

PART NUMBER		PART DESCRIPTION		TITLE												
AUISDR75x-yyyF		RoHS compliant per EU Directive 2011/65/EU		PPIN, UNSHIELDED DRUM, SMD, 2PIN												
<p style="text-align: center;"><u>WARNING !</u></p> <p>ALL SHEETS OF THIS DOCUMENT ARE CONTROLLED DOCUMENTATION AND ARE NOT TO BE RELEASED OUTSIDE OF E&E OR ITS SUB-CONTRACTORS WITHOUT AUTHORIZATION.</p>		UNLESS OTHERWISE SPECIFIED, DIMENSIONS ARE IN INCH/mm.		APPROVALS												
		<p style="text-align: center;"><u>TOLERANCE ARE:</u></p> <table border="0"> <tr> <td>INCH</td> <td>mm</td> <td>ANGLE</td> </tr> <tr> <td>.XXX ± .005</td> <td>.XX ± 0.13</td> <td>X.X ± 0.3</td> </tr> <tr> <td>.XX ± .02</td> <td>.X ± 0.5</td> <td>X. ± 1</td> </tr> </table>		INCH	mm	ANGLE	.XXX ± .005	.XX ± 0.13	X.X ± 0.3	.XX ± .02	.X ± 0.5	X. ± 1	DATE		 E & E Magnetic Products Ltd.	
		INCH	mm	ANGLE												
		.XXX ± .005	.XX ± 0.13	X.X ± 0.3												
		.XX ± .02	.X ± 0.5	X. ± 1												
DRAWN BY		DATE														
PROJ. ENG		DATE		DRAWING NO./MODEL												
APPROVED BY		DATE		REV												
Q.A.		DATE		<p style="text-align: center;">AUISCD75x-yyyF</p> <p style="text-align: center;">01</p>												
				SCALE												
				<p style="text-align: center;">DO NOT SCALE</p>												
				PAGE 1 OF 6												



1. Dimensions are specified in $\frac{\text{inches}}{\text{mm}}$ with higher precedence in mm.
2. Unless otherwise specified, all tolerances are $\pm \frac{.010}{0.25}$.
3. Coplanarity: $\frac{.004}{0.10}$ maximum.
4. $\triangle 4$ Marking "Axyyy" is the inductance code which is described in page 3.
5. "(DATE)" includes at least the manufacturing date code (in YYWW format) plus manufacturing side code.

MECHANICAL OUTLINE



E & E Magnetic Products Ltd.

DRAWING NO./MODEL

AUISCD75x-yyyF

REV

01

SCALE

DO NOT SCALE

PAGE

2

OF

6

ELECTRICAL SPECIFICATION @25°C:

E&E Part No. AUISCD75x-yyyF	Inductance, Ls (μH)	Inductance Tolerance(%)	Test Frequency (Hz)	DCR (Ω) Max	Rated D.C. Current, Idc (A)	S.R.F. (MHz) Typ	Marking (Axyyy)
		K					
AUISCD75K-100F	10	±10	1M	70	2.3	28	AK100
AUISCD75K-120F	12	±10	1M	80	2.0	23	AK120
AUISCD75K-150F	15	±10	1M	90	1.8	22	AK150
AUISCD75K-180F	18	±10	1M	100	1.6	20	AK180
AUISCD75K-220F	22	±10	1M	110	1.5	17	AK220
AUISCD75K-270F	27	±10	1M	120	1.3	15	AK270
AUISCD75K-330F	33	±10	1M	130	1.2	15	AK330
AUISCD75K-390F	39	±10	1M	160	1.1	14	AK390
AUISCD75K-470F	47	±10	1M	180	1.1	13	AK470
AUISCD75K-560F	56	±10	1M	240	0.94	11	AK560
AUISCD75K-680F	68	±10	1M	280	0.85	11	AK680
AUISCD75K-820F	82	±10	1M	370	0.78	10	AK820
AUISCD75K-101F	100	±10	1k	430	0.72	9.2	AK101
AUISCD75K-121F	120	±10	1k	470	0.66	7.7	AK121
AUISCD75K-151F	150	±10	1k	640	0.58	6.1	AK151
AUISCD75K-181F	180	±10	1k	710	0.51	5.8	AK181
AUISCD75K-221F	220	±10	1k	960	0.49	5.2	AK221
AUISCD75K-271F	270	±10	1k	1110	0.42	4.8	AK271
AUISCD75K-331F	330	±10	1k	1260	0.40	4.3	AK331
AUISCD75K-391F	390	±10	1k	1770	0.36	4.3	AK391
AUISCD75K-471F	470	±10	1k	1960	0.34	3.8	AK471

6. Add the tolerance code of inductance by replacing "X" of the part number by: K=±10%.
7. Test frequency is specified as the frequency for measuring the inductance.
8. Rated D.C. current indicates the current when the inductance is maintained at 10% of its initial value and the temperature rising ΔT is 40°C maximum at D.C. superposition.
9. Operating temperature range: -40°C to +125°C.
10. The part temperature (ambient temperature + temperature rise) should not exceed the upper limit of the operating temperature under worst case operating conditions. Circuit design, component placement, PWB trace size and thickness, airflow and other cooling provisions all affect the part temperature. Part temperature should be verified in the end application.
11. Product has been designed to be compliant with AEC-Q200.

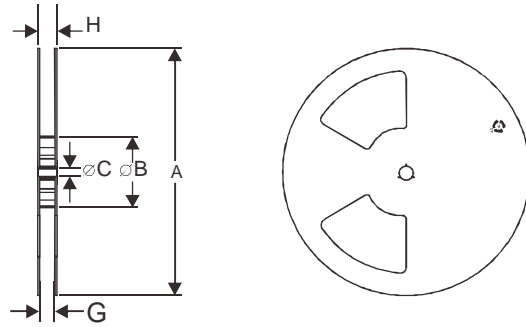


SCHEMATIC

E & E Magnetic Products Ltd.	
DRAWING NO./MODEL	REV
AUISCD75x-yyyF	01
SCALE DO NOT SCALE	PAGE 3 OF 6

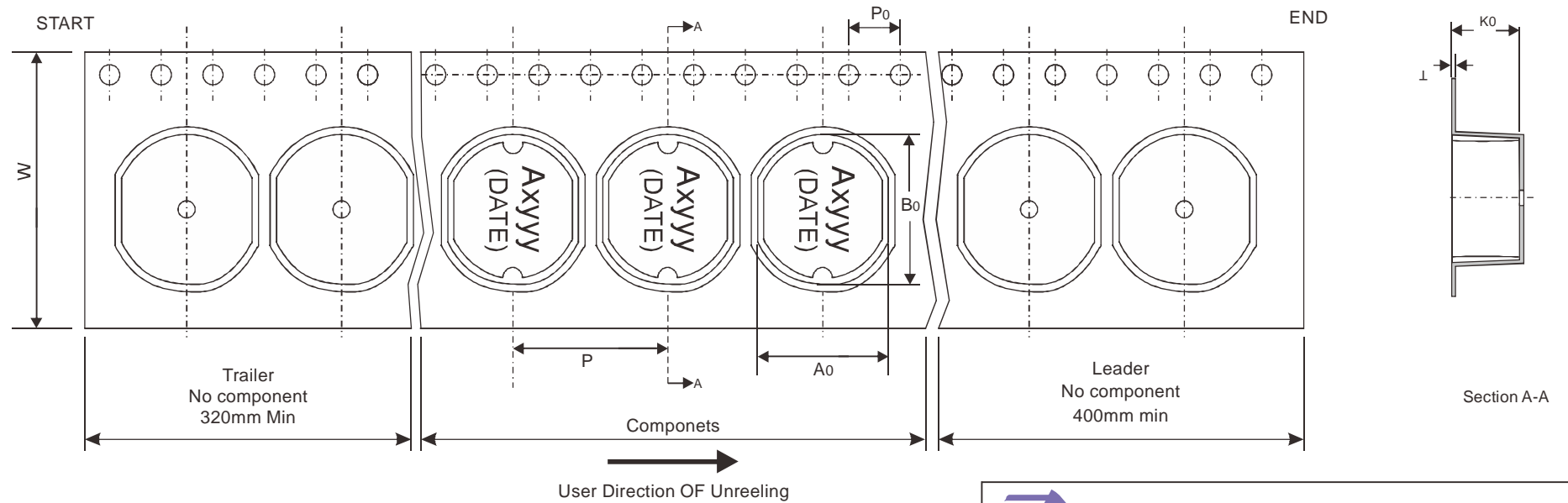
PACKAGING INFORMATION

(1) CONFIGURATION:(mm)



SYMBOL	A	B	C	G	H
DIM	330	100	13	16.4	21.4

(2) TAPE DIMENSIONS:(mm)



SYMBOL	A0	B0	K0	W	P	P0	T
DIM	7.50 Typ	8.30 Typ	5.50 Typ	16.0 ^{+0.30} _{-0.00}	12.0 ± _{0.10}	4.0 ± _{0.10}	0.35 REF



E & E Magnetic Products Ltd.

DRAWING NO./MODEL

AUISCD75x-yyyF

REV

01

SCALE

DO NOT SCALE

PAGE

4

OF

6