

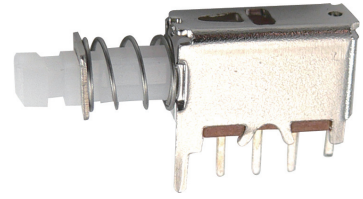


**Feature :**

0.3A, 30 V DC for Power  
1 pole & 2 poles circuitry

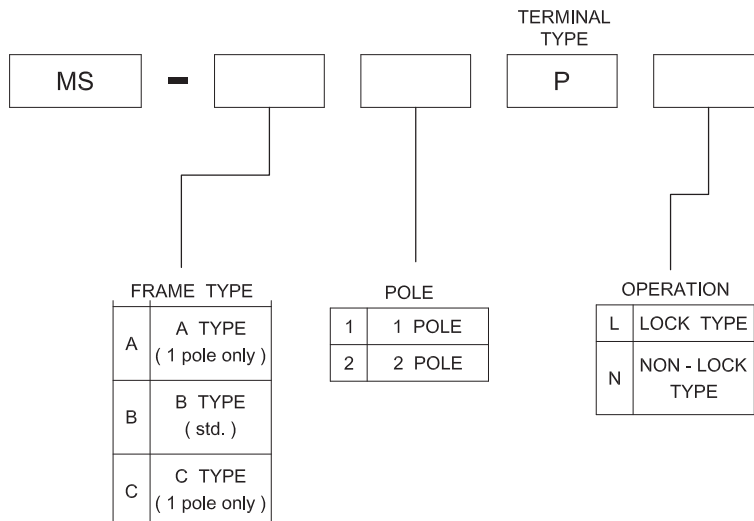
**Application :**

Home electronic equipment  
Industrial equipments  
Audio system  
ADSL modem  
Wireless AP



SWITCH SPECIFICATIONS	
POLE - POSITION	1P2T , 2P2T , Momentary and Lock Type are Available
CONTACT RATING	30 V DC , 0.3 A
CONTACT RESISTANCE	30 mΩ MAX. 1.5 V DC ; 100 mA , by Method of Voltage DROP
INSULATION RESISTANCE	100 MΩ MIN. 500 V DC
DIELECTRIC STRENGTH	Breakdown is not Allowable ; 500 V DC for 1 Minute
OPERATING FORCE	1P2T : 200 ± 100gf ; 2P2T : 250 ± 100gf
OPERATING LIFE	10,000 cycles
OPERATING TEMPERATURE RANGE	-40°C ~ 85°C
TOTAL TRAVEL	3.5 ± 0.3 mm

► **HOW TO ORDER**

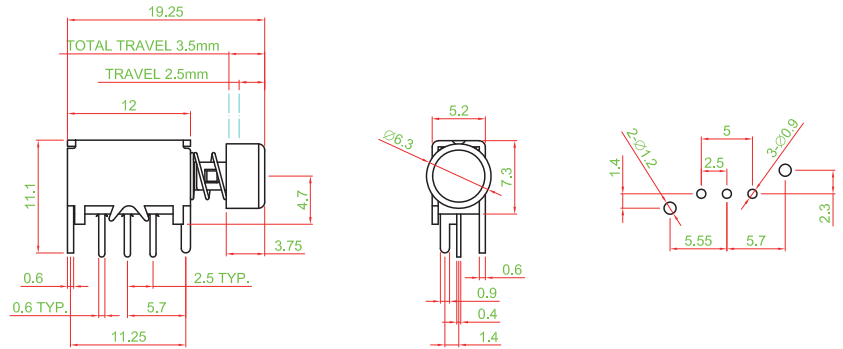
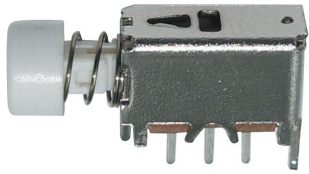


- TACT SWITCH
- PUSH BUTTON SWITCH
- LED TOUCH SENSOR SWITCH
- 5 DIRECTION NAVIGATION SWITCH WITH LED
- MEMBRANE SWITCH
- LED LIGHT BAR
- SLIDE SWITCH
- ROTARY SWITCH
- ROCKER SWITCH
- DETECT SWITCH
- ENCODER
- INTERRUPTER
- MINIATURE MICRO SWITCH
- TELEPHONE HOOK SWITCH
- DOOR SWITCH
- MINI SIZE SOCKET
- KNOB
- CAP SYMBOL

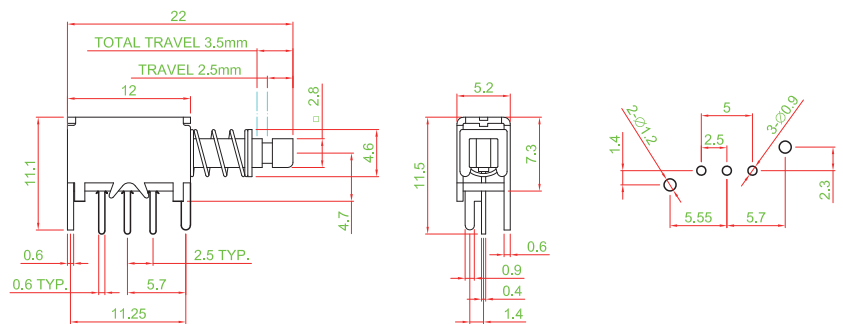
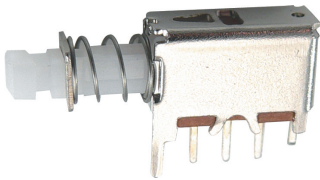


► **DIMENSION**

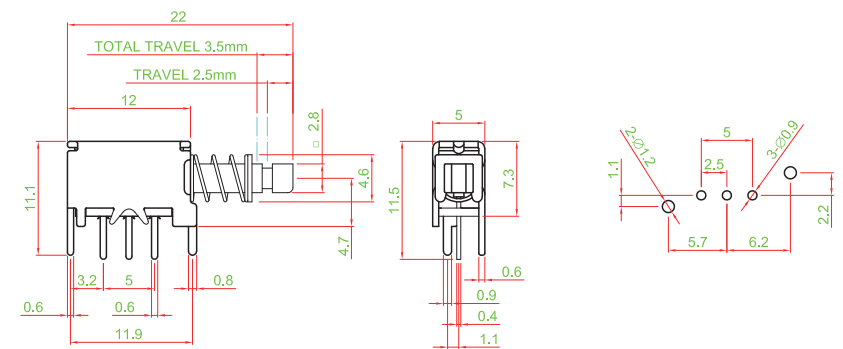
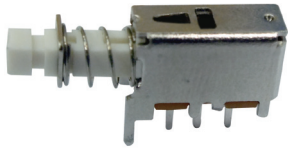
MS - A1PL



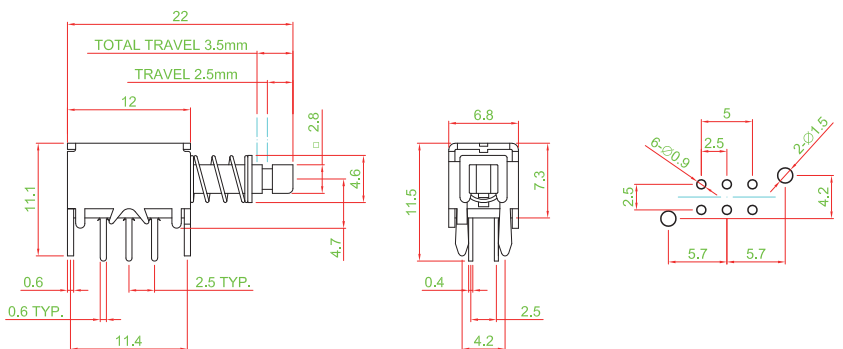
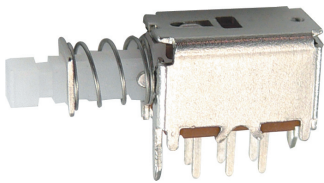
MS - B1PN



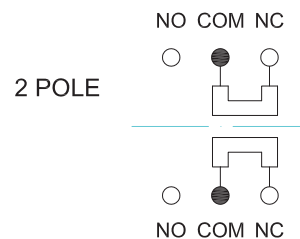
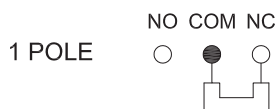
MS - C1PN



MS - B2PL



► **CIRCUIT**



- TRACT SWITCH
- PUSH BUTTON SWITCH
- LED TOUCH SENSOR SWITCH
- 5 DIRECTION NAVIGATION SWITCH WITH LED
- MEMBRANE SWITCH
- LED LIGHT BAR
- SLIDE SWITCH
- ROTARY SWITCH
- ROCKER SWITCH
- DETECT SWITCH
- ENCODER
- INTERRUPTER
- MINIATURE MICRO SWITCH
- TELEPHONE HOOK SWITCH
- DOOR SWITCH
- MINI SIZE SOCKET
- KNOB
- CAP SYMBOL