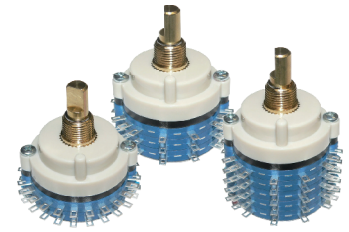




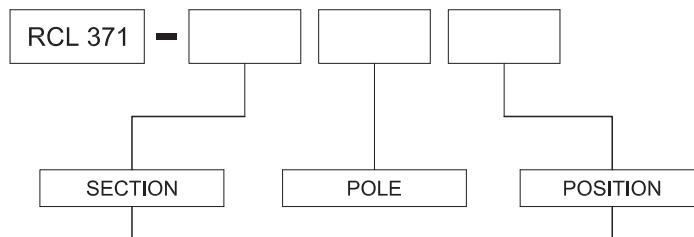
Feature :
Multi-sections and multi-poles

Application :
Equipments, broadcast system
Data switch, monitor switching



SWITCH SPECIFICATIONS	
POLE - POSITION	Multi - sections and multi - poles
CONTACT RATING	30 V DC , 500 mA
CONTACT RESISTANCE	25 mΩ MAX. 1 AC KHz±200Hz voltage / current less than 20Mv / 50mA or DC 5V 1A1.5 V DC ; 100 mA , by Method of Voltage DROP
INSULATION RESISTANCE	100 MΩ MIN. 500 V DC for 1 minute
DIELECTRIC STRENGTH	Breakdown is not Allowable ; 500 V AC for 1 Minute
OPERATING FORCE	1 TO 3 Section 2 ± 1 Kgf.cm ; Over 3 Section 3 ± 1.5 kgf.cm
OPERATING LIFE	10,000 cycles
OPERATING TEMPERATURE RANGE	-20°C ~ 70°C

► HOW TO ORDER



SECTION (1~12)	POLE	POSITION (2~12)	BODY LENGTH (L)	SECTION (1~12)	POLE	POSITION (2~12)	BODY LENGTH (L)
1	8	2	3.6mm	5	40	2	18mm
	4	3			20	3	
	3	4			15	4	
	2	5~6			10	5~6	
	1	7~12			5	7~12	
2	16	2	7.2mm	7	56	2	25.2mm
	8	3			28	3	
	6	4			21	4	
	4	5~6			14	5~6	
3	24	2	10.8mm	9	36	3	32.4mm
	12	3			27	4	
	9	4			18	5~6	
	6	5~6			9	7~12	
4	24or32	2	14.4mm	12	48	3	43.2mm
	16	3			36	4	
	12	4			24	5~6	
	8	5~6			12	7~12	
-	-	-	-	1-12 SECTIONS	-	-	SECTIONS x3.6mm



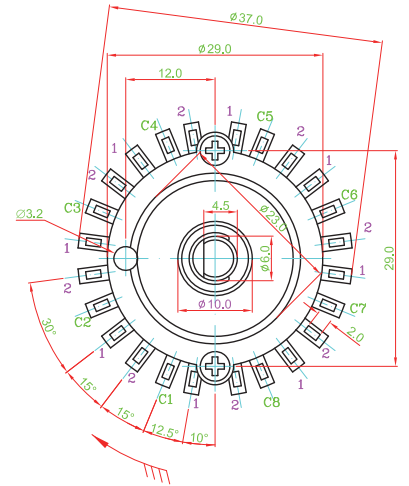
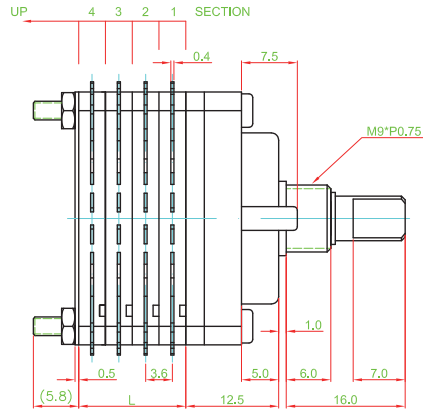
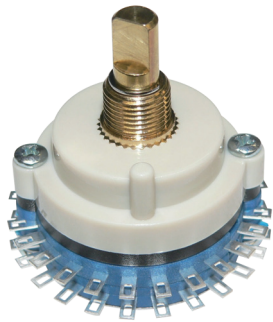
- TACT SWITCH
- PUSH BUTTON SWITCH
- LED TOUCH SENSOR SWITCH
- 5 DIRECTION NAVIGATION SWITCH WITH LED
- MEMBRANE SWITCH
- LED LIGHT BAR
- SLIDE SWITCH
- ROTARY SWITCH
- ROCKER SWITCH
- DETECT SWITCH
- ENCODER
- INTERRUPTER
- MINIATURE MICRO SWITCH
- TELEPHONE HOOK SWITCH
- DOOR SWITCH
- MINI SIZE SOCKET
- KNOB
- CAP SYMBOL



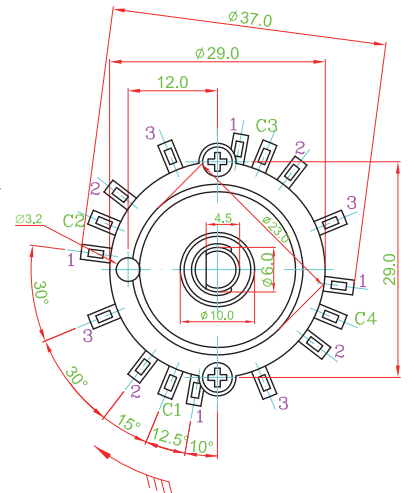
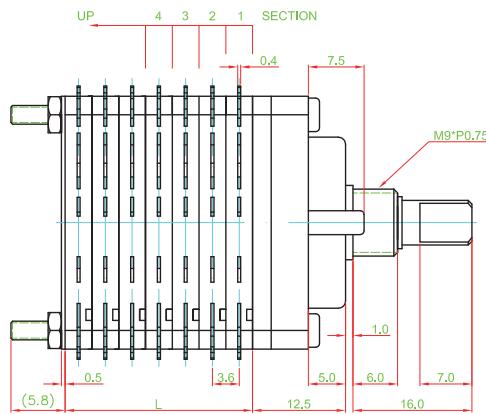
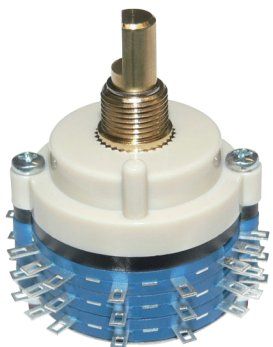
- TRACT SWITCH
- PUSH BUTTON SWITCH
- LED TOUCH SENSOR SWITCH
- 5 DIRECTION NAVIGATION SWITCH WITH LED
- MEMBRANE SWITCH
- LED LIGHT BAR
- SLIDE SWITCH
- ROTARY SWITCH
- ROCKER SWITCH
- DETECT SWITCH
- ENCODER
- INTERRUPTER
- MINIATURE MICRO SWITCH
- TELEPHONE HOOK SWITCH
- DOOR SWITCH
- MINI SIZE SOCKET
- KNOB
- CAP SYMBOL

► DIMENSION

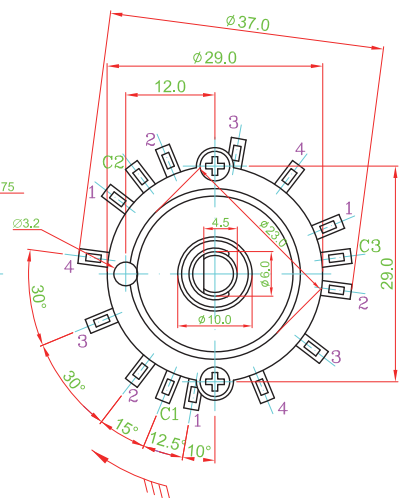
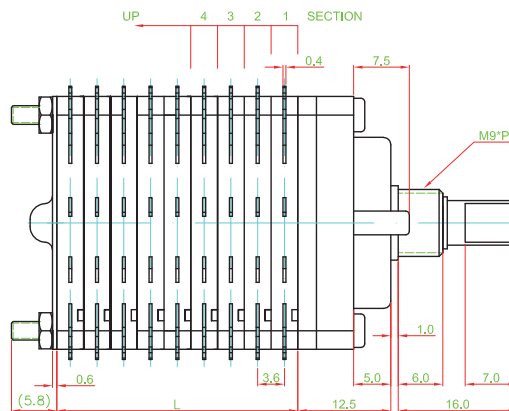
2 Position Series



3 Position Series



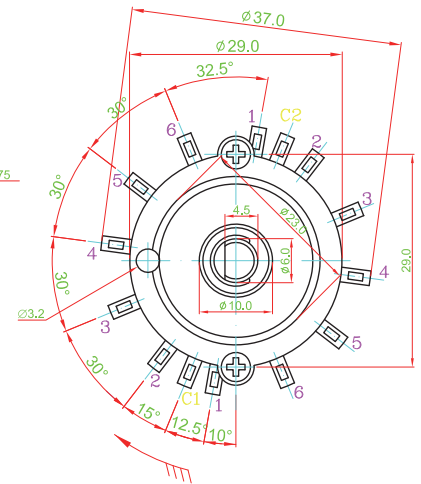
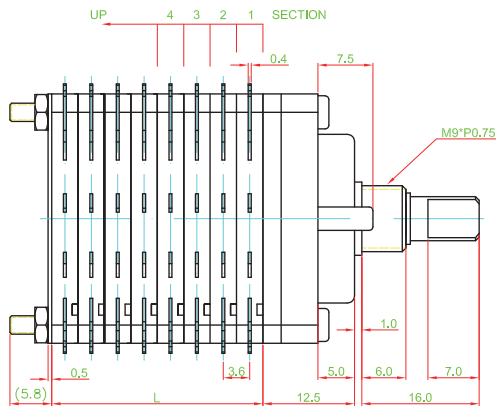
4 Position Series



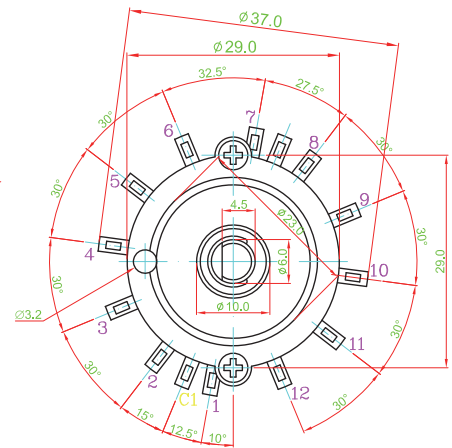
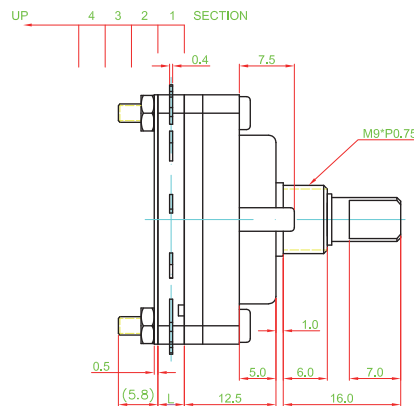
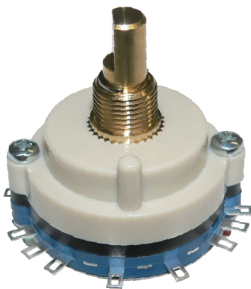


► DIMENSION

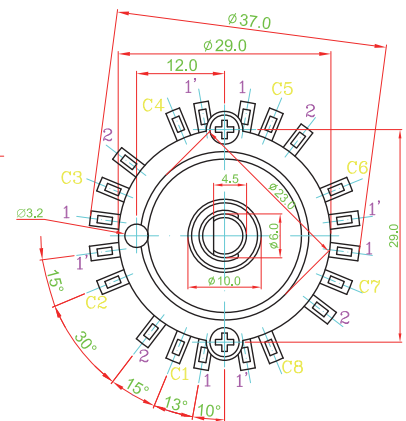
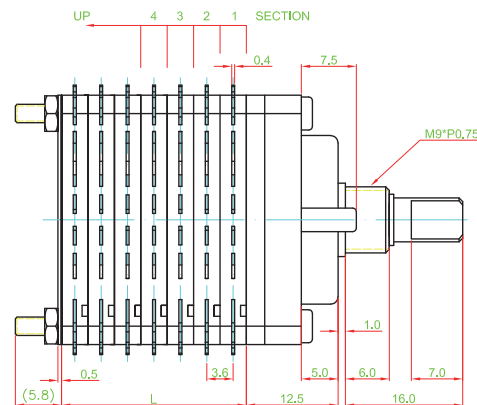
5~6 Position Series



7~12 Position Series



X Position Series



- TACT SWITCH
- PUSH BUTTON SWITCH
- LED TOUCH SENSOR SWITCH
- 5 DIRECTION NAVIGATION SWITCH WITH LED
- MEMBRANE SWITCH
- LED LIGHT BAR
- SLIDE SWITCH
- ROTARY SWITCH
- ROCKER SWITCH
- DETECT SWITCH
- ENCODER
- INTERRUPTER
- MINIATURE MICRO SWITCH
- TELEPHONE HOOK SWITCH
- DOOR SWITCH
- MINI SIZE SOCKET
- KNOB
- CAP SYMBOL