



Feature :

- OLED Display Resolution : 60 x 32 pixels
- OLED Color : White
- LED Color : Full Color
- Interface : SPI / IIC

Application :

- Audio / video switchers; broadcast system
- Instrumentation
- Telecommunication
- Security system

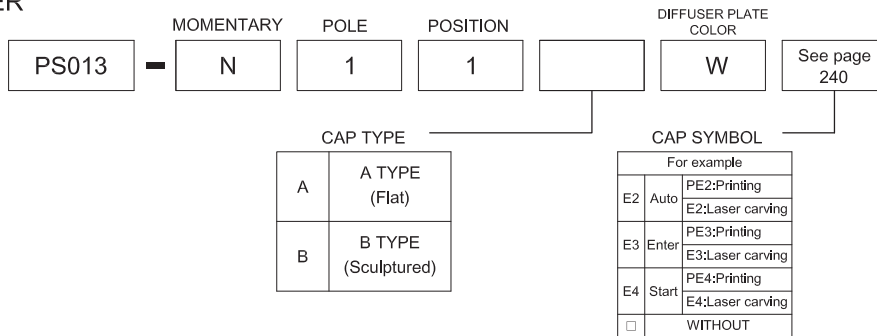


SWITCH SPECIFICATIONS	
POLE - POSITION	OFF - <ON> for Momentary Type , SPST
CONTACT RATING	MAX. : 1mA , 20VDC or 5mA , 5VDC MIN. : 1mA , 5VDC
CONTACT RESISTANCE	200 Ω MAX.
INSULATION RESISTANCE	100 MΩ MIN ; DC 100V
DIELECTRIC STRENGTH	Breakdown is not Allowable ; AC 250V (50-60 CYCLES) for 1 minute.
OPERATING FORCE	160 ± 40 gf
OPERATING LIFE	1,000,000 cycles
OPERATING TEMPERATURE RANGE	-20°C ~ 70°C
TOTAL TRAVEL	1.25 ± 0.3 mm

LED SPECIFICATIONS					
	Unit	Value / LED Color			
		Red	Green	Blue	
DC FORWARD CURRENT	If	mA	70	30	30
REVERSE VOLTAGE	Vr	V	5.0	5.0	5.0
REVERSE CURRENT	Ir	μA	10	50	50
FORWARD VOLTAGE @5mA	Vf	V	1.7 - 2.3	2.5 - 3.1	3.3-4.0
LUMINOUS INTENSITY @5mA	Iv	mcd	200	420	80

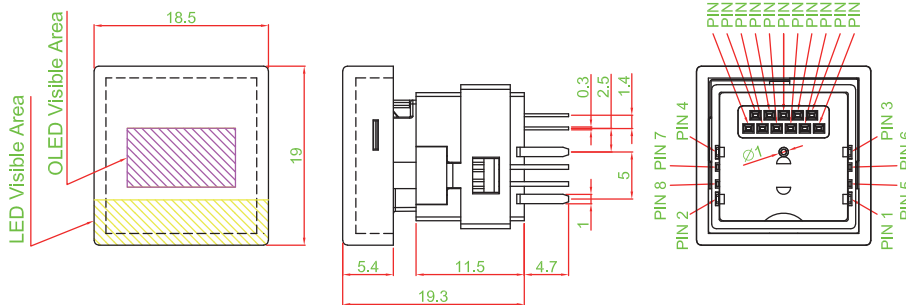
■ A single bin cannot be ordered, please contact us in advance if you need a particular bin sorting before placing your order to clarify the lead time, MOQ and pricing

▶ HOW TO ORDER

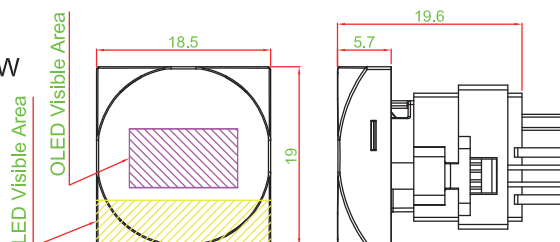


▶ DIMENSION

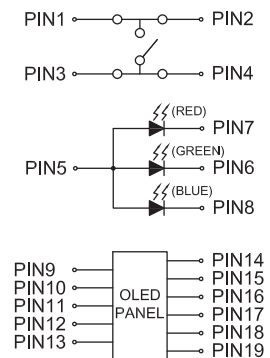
PS013-N11AW



PS013-N11BW



▶ CIRCUIT



- TACT SWITCH
- PUSH BUTTON SWITCH
- LED TOUCH SENSOR SWITCH
- 5 DIRECTION NAVIGATION SWITCH WITH LED
- MEMBRANE SWITCH
- LED LIGHT BAR
- SLIDE SWITCH
- ROTARY SWITCH
- ROCKER SWITCH
- DETECT SWITCH
- ENCODER
- INTERRUPTER
- MINIATURE MICRO SWITCH
- TELEPHONE HOOK SWITCH
- DOOR SWITCH
- MINI SIZE SOCKET
- KNOB
- CAP SYMBOL



▶ OLED ELECTRICAL CHARACTERISTICS

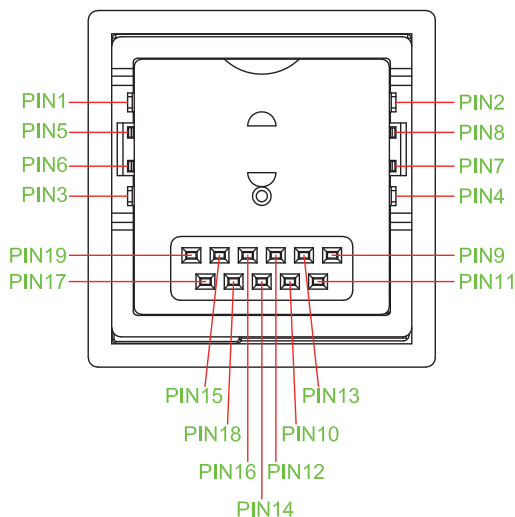
OLED Outline

Item	Specification	Unit
Display type	OLED display unit	–
Pixels	60 * 32	Dot
Color	White	–
Visible area (W x H)	12.86 * 6.57	mm
Active area (W x H)	11.254 * 5.991	mm
Dots pitch	0.188 * 0.188	mm
OLED driver IC	LD7032 / LDT	–
Interface	Serial(SPI / I2C)	–

OLED Absolute Maximum Rating

Item	Symbol	Min	Max	Unit	
Supply Voltage (Ta = 25°C)	Drive System	VCC_C	- 0.3	18.0	V
	Logic System	VDD	- 0.3	3.63	V
	Interface System				
Input Voltage	Vin	- 0.3	VDD + 0.3	V	
Operating Temperature	Topr	- 20	+ 75	°C	
Storage Temperature	Tstg	- 40	+ 85	°C	

PIN Structure



PIN No.	PIN Name	FUNCTION
1	SW	Terminal of Switch
2	SW	Terminal of Switch
3	SW	Terminal of Switch
4	SW	Terminal of Switch
5	LED C+	Full Color LED-Common Anode
6	LED G-	Full Color LED-Green Cathode
7	LED R-	Full Color LED-Red Cathode
8	LED B-	Full Color LED-Blue Cathode
9	IXS	H : I2C(Slave address : 0110000b), L : SPI
10	D0(SCL)	Serial clock input
11	D1(SI)	Serial data input
12	A0	Switch data or command
13	CSB	Chip Select(Active Low), When IXS=H,CSB must be Low
14	RSTB	Reset terminal
15	VDD	Power supply for analog and digital
16	IREF	Resistor terminal for reference current
17	VCC_C	High voltage power supply for driving circuits
18	VCC_R	Cathode voltage power supply for driving circuits
19	VSS	Ground

詳細資料請與公司業務聯繫 More details please check with our sales