

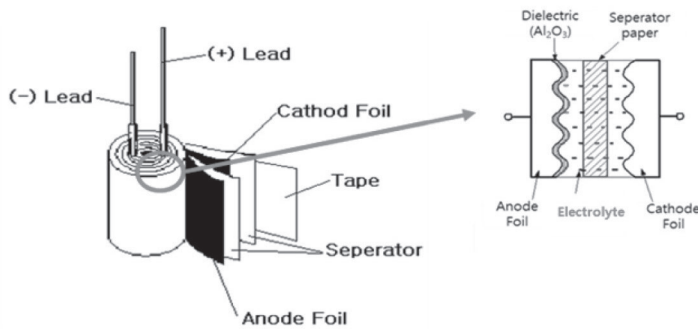
2 CONDUCTIVE POLYMER HYBRID ALUMINUM ELECTROLYTIC CAPACITORS



CONDUCTIVE POLYMER HYBRID ALUMINUM ELECTROLYTIC CAPACITORS

1. Conductive Polymer Hybrid Aluminum Electrolytic Capacitor?

Conductive Polymer Hybrid Capacitor consist of Conductive Polymer Electric materials and Liquid Electrolyte as Electrolyte



Section	Electrolytic Cap.	Solid Cap.	Hybrid Cap.
Electrolyte	Liquid Electrolyte	Conductive Polymer	Conductive Polymer + Liquid Electrolyte

2. Merits of Conductive Polymer Hybrid Aluminum Electrolytic Capacitor

By using conductive polymer as electrolyte, low ESR characteristics and high ripple characteristics can be realized. Low leakage current and short defect of capacitor can be prevented by electrolytic solution.

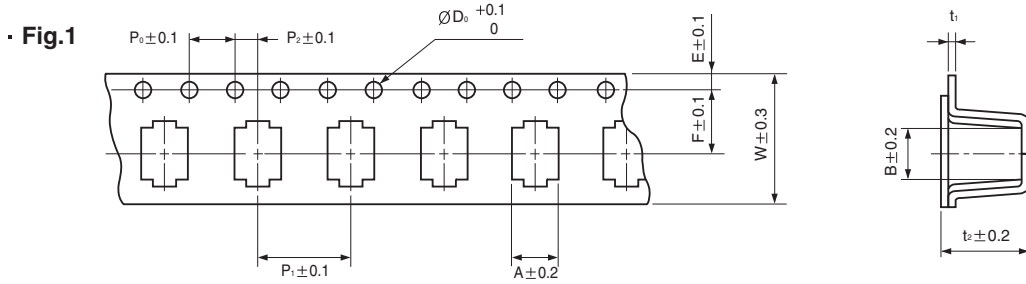
3. Characteristic

Section	Electrolyte Cap.	Solid Cap.	Hybrid cap.
SIZE	O	△	◎
ESR	X	O	◎
TEMPERATURE	X	O	◎
DISSIPATION FACTOR	X	O	◎
RIPPLE CURRENT	X	O	◎
RELIABILITY	X	O	◎
LEAKAGE CURRENT	O	X	◎

◎ Excellent O Good △ Average X Weak

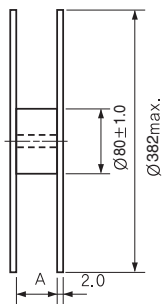
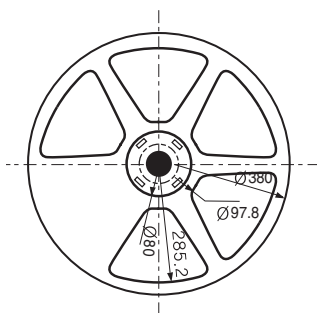
● Taping Specifications for Chip Type Capacitors

● Carrier Tape

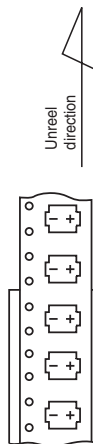


ØD×L	A	B	ØD ₀	E	F	P ₀	P ₁	P ₂	t ₁	t ₂	W
6.3 × 7.7	7.0	7.0	1.5	1.75	7.5	4.0	12.0	2.0	0.4	8.2	16.0
8 × 10	8.7	8.7	1.5	1.75	11.5	4.0	16.0	2.0	0.4	11.0	24.0
10 × 10	10.7	10.7	1.5	1.75	11.5	4.0	16.0	2.0	0.4	11.0	24.0
10 × 12.5	10.7	10.7	1.5	1.75	11.5	4.0	16.0	2.0	0.5	13.0	24.0

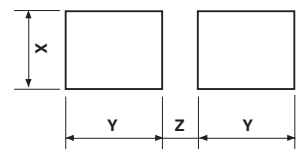
● Reel (Taping code : VR, VG)



● Polarity



● Recommended Land Size



ØD×L	A	ØD×L	Q'ty/Reel(pcs.)	Q'ty/Box(pcs.)
6.3 × 7.7	16	6.3 × 7.7	900	9000
8 × 10	24	8 × 10	500	5000
10 × 10	24	10 × 10	500	5000
10 × 12.5	24	10 × 12.5	400	4000

Type	ØD×L	X	Y	Z
VR	6.3×7.7	1.6	3.5	2.0
	8×10	2.5	3.5	3.0
	10×10	2.5	4.0	4.0
	10×12.5	2.5	4.0	4.0
VG	6.3×7.7	3.0	4.0	1.6
	8×10	4.3	5.3	2.0
	10×10	4.3	5.6	3.3
	10×12.5	4.3	5.6	3.3

CONDUCTIVE POLYMER HYBRID ALUMINUM ELECTROLYTIC CAPACITORS

Upgrade
YC

Chip type, Standard Series


Solvent Proof

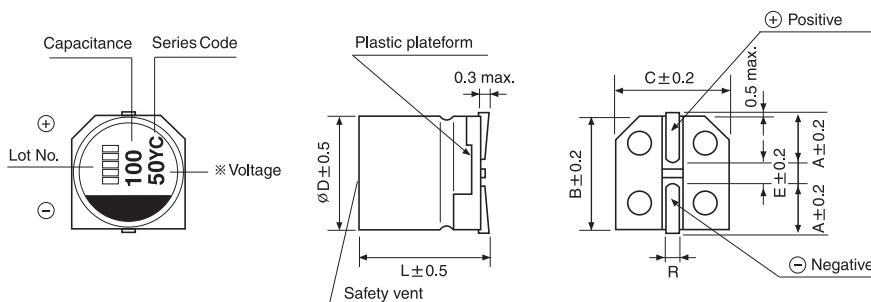


- Endurance with ripple current: 10000 hours at 105°C
- Complied to the RoHS directive

Item	Characteristics												
Operating temperature range	-55 ~ +105°C												
Leakage current max.	$I = 0.01CV$ or $3\mu A$ whichever is greater (after 2 minutes)												
Capacitance tolerance	$\pm 20\%$ at 120Hz, 20°C												
Dissipation factor max. (at 120Hz, 20°C)	<table border="1"> <tr> <td>WV</td> <td>16</td> <td>25</td> <td>35</td> <td>50</td> <td>63 ~ 100</td> </tr> <tr> <td>tanδ</td> <td>0.16</td> <td>0.14</td> <td>0.12</td> <td>0.10</td> <td>0.08</td> </tr> </table>	WV	16	25	35	50	63 ~ 100	tan δ	0.16	0.14	0.12	0.10	0.08
WV	16	25	35	50	63 ~ 100								
tan δ	0.16	0.14	0.12	0.10	0.08								
Low temperature characteristics (Impedance ratio at 100kHz)	$Z(-25^\circ C) / Z(+20^\circ C) \leq 1.5$ $Z(-55^\circ C) / Z(+20^\circ C) \leq 2.0$												
Load life	<p>After an application of DC bias voltage plus the rated AC ripple current for 10000 hours at 105°C. The measurement shall meet the following limits. The DC voltage plus the peak AC voltage combined must not exceed the rated voltage.</p> <table border="1"> <tr> <td>Capacitance change</td> <td>Within $\pm 30\%$ of initial value</td> </tr> <tr> <td>tanδ</td> <td>Less than 200% of the specified value</td> </tr> <tr> <td>ESR</td> <td>Less than 200% of the specified value</td> </tr> <tr> <td>Leakage current</td> <td>Less than specified value</td> </tr> </table>	Capacitance change	Within $\pm 30\%$ of initial value	tan δ	Less than 200% of the specified value	ESR	Less than 200% of the specified value	Leakage current	Less than specified value				
Capacitance change	Within $\pm 30\%$ of initial value												
tan δ	Less than 200% of the specified value												
ESR	Less than 200% of the specified value												
Leakage current	Less than specified value												
Shelf life (at 105°C)	After 1000 hours no load test, leakage current, capacitance and tan δ are same as load life value. The measurement shall be performed at 20°C by the KS C IEC 60384 - 4												
Resistance to soldering heat	<p>The following specifications shall be satisfied when the capacitors are restored to 20°C after exposing them at 250°C for 10 seconds.</p> <table border="1"> <tr> <td>Leakage current</td> <td>Less than specified value</td> </tr> <tr> <td>Capacitance change</td> <td>Within $\pm 10\%$ of initial value</td> </tr> <tr> <td>tanδ</td> <td>Less than specified value</td> </tr> </table>	Leakage current	Less than specified value	Capacitance change	Within $\pm 10\%$ of initial value	tan δ	Less than specified value						
Leakage current	Less than specified value												
Capacitance change	Within $\pm 10\%$ of initial value												
tan δ	Less than specified value												

DRAWING

Unit : mm



$\varnothing D \times L$	A	B	C	E	R
6.3 × 7.7	2.4	6.6	6.6	2.2	0.5~0.8
8 × 10	2.9	8.3	8.3	3.1	0.8~1.1
10 × 10	3.2	10.3	10.3	4.5	0.8~1.1
10 × 12.5	3.2	10.3	10.3	4.5	0.8~1.1

YC series

● DIMENSIONS & MAXIMUM PERMISSIBLE RIPPLE CURRENT

μF \diagdown WV	16			25			35		
47							6.3×7.7	35	2000
68				6.3×7.7	30	2000	6.3×7.7	35	2000
100				6.3×7.7	30	2000	8×10	27	2300
150	6.3×7.7	27	2200	8×10	27	2300	8×10	27	2300
							10×10	20	2500
220				8×10	27	2300			
270	8×10	22	2500	10×10	20	2500	10×10	20	2500
330				10×10	20	2500	10×12.5	17	2800
470	10×10	18	2600	10×12.5	16	2800			
560	10×12.5	14	3000						

μF \diagdown WV	50			63			80		
10				6.3×7.7	80	1500			
15	6.3×7.7	40	1600						
22				6.3×7.7	80	1500	8×10	45	1600
				8×10	40	1600			
33	6.3×7.7	40	1600	8×10	40	1600			
	8×10	30	1800	10×10	30	1800			
39							10×10	35	1700
47	8×10	30	1800				10×12.5	32	1800
56	10×10	25	2000	10×10	30	1800			
68	10×10	25	2000	10×12.5	22	2100			
100	10×10	25	2000						
150	10×12.5	19	2300						

μF \diagdown WV	100		
10	8×10	60	1450
15	10×10	45	1500
18	10×12.5	40	1580

Ripple current (mA rms) at 105°C, 100kHz
 ESR (mΩ) at 20°C, 100kHz
 Case size $\varnothing D \times L$ (mm)

● FREQUENCY COEFFICIENT OF PERMISSIBLE RIPPLE CURRENT

Frequency	120Hz	1kHz	10kHz	100kHz
Coefficient	0.05	0.30	0.70	1.00

CONDUCTIVE POLYMER HYBRID ALUMINUM ELECTROLYTIC CAPACITORS

Upgrade
YH Chip type, High Temperature Series


 Solvent Proof

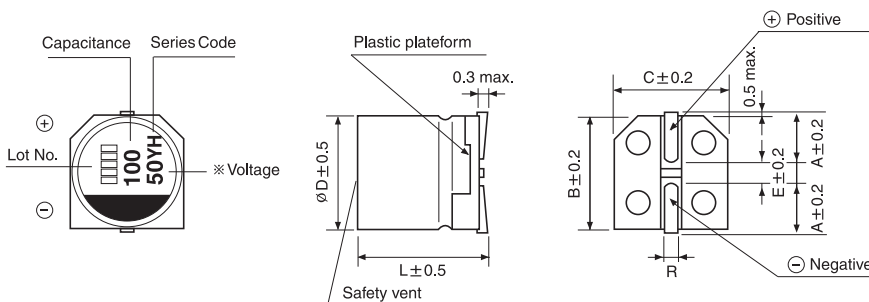


- High temperature range, for 125°C use
- Complied to the RoHS directive

Item	Characteristics												
Operating temperature range	-55 ~ +125°C												
Leakage current max.	I = 0.01CV or 3μA whichever is greater (after 2 minutes)												
Capacitance tolerance	±20% at 120Hz, 20°C												
Dissipation factor max. (at 120Hz, 20°C)	<table border="1"> <tr> <td>WV</td> <td>16</td> <td>25</td> <td>35</td> <td>50</td> <td>63 ~ 100</td> </tr> <tr> <td>tanδ</td> <td>0.16</td> <td>0.14</td> <td>0.12</td> <td>0.10</td> <td>0.08</td> </tr> </table>	WV	16	25	35	50	63 ~ 100	tanδ	0.16	0.14	0.12	0.10	0.08
WV	16	25	35	50	63 ~ 100								
tanδ	0.16	0.14	0.12	0.10	0.08								
Low temperature characteristics (Impedance ratio at 100kHz)	$Z(-25^{\circ}\text{C}) / Z(+20^{\circ}\text{C}) \leq 1.5$ $Z(-55^{\circ}\text{C}) / Z(+20^{\circ}\text{C}) \leq 2.0$												
Load life	<p>After an application of DC bias voltage plus the rated AC ripple current for 4000 hours at 125°C. The measurement shall meet the following limits. The DC voltage plus the peak AC voltage combined must not exceed the rated voltage.</p> <table border="1"> <tr> <td>Capacitance change</td> <td>Within ±30% of initial value</td> </tr> <tr> <td>tanδ</td> <td>Less than 200% of the specified value</td> </tr> <tr> <td>ESR</td> <td>Less than 200% of the specified value</td> </tr> <tr> <td>Leakage current</td> <td>Less than specified value</td> </tr> </table>	Capacitance change	Within ±30% of initial value	tanδ	Less than 200% of the specified value	ESR	Less than 200% of the specified value	Leakage current	Less than specified value				
Capacitance change	Within ±30% of initial value												
tanδ	Less than 200% of the specified value												
ESR	Less than 200% of the specified value												
Leakage current	Less than specified value												
Shelf life (at 125°C)	After 1000 hours no load test, leakage current, capacitance and tanδ are same as load life value. The measurement shall be performed at 20°C by the KS C IEC 60384 - 4												
Resistance to soldering heat	<p>The following specifications shall be satisfied when the capacitors are restored to 20°C after exposing them at 250°C for 10 seconds.</p> <table border="1"> <tr> <td>Leakage current</td> <td>Less than specified value</td> </tr> <tr> <td>Capacitance change</td> <td>Within ±10% of initial value</td> </tr> <tr> <td>tanδ</td> <td>Less than specified value</td> </tr> </table>	Leakage current	Less than specified value	Capacitance change	Within ±10% of initial value	tanδ	Less than specified value						
Leakage current	Less than specified value												
Capacitance change	Within ±10% of initial value												
tanδ	Less than specified value												

● DRAWING

Unit : mm



∅D×L	A	B	C	E	R
6.3×7.7	2.4	6.6	6.6	2.2	0.5~0.8
8×10	2.9	8.3	8.3	3.1	0.8~1.1
10×10	3.2	10.3	10.3	4.5	0.8~1.1
10×12.5	3.2	10.3	10.3	4.5	0.8~1.1

YH series

● DIMENSIONS & MAXIMUM PERMISSIBLE RIPPLE CURRENT

μF \diagdown WV	16			25			35		
47							6.3×7.7	35	1400
68				6.3×7.7	30	1400	6.3×7.7	35	1400
100				6.3×7.7	30	1400	8×10	27	1600
150	6.3×7.7	27	1450	8×10	27	1600	8×10	27	1600
							10×10	20	2000
220				8×10	27	1600			
270	8×10	22	1700	10×10	20	2000	10×10	20	2000
330				10×10	20	2000	10×12.5	17	2260
470	10×10	18	2100	10×12.5	16	2260			
560	10×12.5	14	2320						

μF \diagdown WV	50			63			80		
10				6.3×7.7	80	900			
15	6.3×7.7	40	1100						
22				6.3×7.7	80	900	8×10	45	1100
				8×10	40	1100			
33	6.3×7.7	40	1100	8×10	40	1100			
	8×10	30	1250	10×10	30	1400			
39							10×10	35	1200
47	8×10	30	1250				10×12.5	32	1400
56	10×10	25	1600	10×10	30	1400			
68	10×10	25	1600	10×12.5	22	1650			
100	10×10	25	1600						
150	10×12.5	19	1820						

μF \diagdown WV	100		
10	8×10	60	900
15	10×10	45	1120
18	10×12.5	40	1220

Ripple current (mA rms) at 125°C, 100kHz
 ESR (mΩ) at 20°C, 100kHz
 Case size $\varnothing D \times L$ (mm)

● FREQUENCY COEFFICIENT OF PERMISSIBLE RIPPLE CURRENT

Frequency	120Hz	1kHz	10kHz	100kHz
Coefficient	0.05	0.30	0.70	1.00

HYBRID TYPES

CONDUCTIVE POLYMER HYBRID ALUMINUM ELECTROLYTIC CAPACITORS

YT Chip type, Ultra High Temperature Series

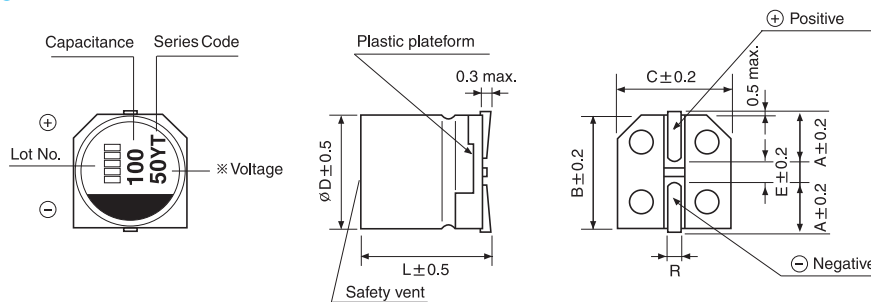


- High temperature range, for 150°C use
- Complied to the RoHS directive

Item	Characteristics										
Operating temperature range	-55 ~ +150°C										
Leakage current max.	$I = 0.01CV$ or $3\mu A$ whichever is greater (after 2 minutes)										
Capacitance tolerance	$\pm 20\%$ at 120Hz, 20°C										
Dissipation factor max. (at 120Hz, 20°C)	<table border="1"> <tr> <td>WV</td> <td>25</td> <td>35</td> <td>50</td> <td>63</td> </tr> <tr> <td>tanδ</td> <td>0.14</td> <td>0.12</td> <td>0.1</td> <td>0.08</td> </tr> </table>	WV	25	35	50	63	tan δ	0.14	0.12	0.1	0.08
	WV	25	35	50	63						
tan δ	0.14	0.12	0.1	0.08							
Low temperature characteristics (Impedance ratio at 100kHz)	$Z(-25^\circ C) / Z(+20^\circ C) \leq 1.5$ $Z(-55^\circ C) / Z(+20^\circ C) \leq 2.0$										
Load life	After an application of DC bias voltage plus the rated AC ripple current for 1000 hours at 150°C. The measurement shall meet the following limits. The DC voltage plus the peak AC voltage combined must not exceed the rated voltage.										
	Capacitance change	Within $\pm 30\%$ of initial value									
	tan δ	Less than 200% of the specified value									
	ESR	Less than 200% of the specified value									
	Leakage current	Less than specified value									
Shelf life (at 150°C)	After 1000 hours no load test, leakage current, capacitance and tan δ are same as load life value. The measurement shall be performed at 20°C by the KS C IEC 60384 - 4										
Resistance to soldering heat	The following specifications shall be satisfied when the capacitors are restored to 20°C after exposing them at 250°C for 10 seconds.										
	Leakage current	Less than specified value									
	Capacitance change	Within $\pm 10\%$ of initial value									
	tan δ	Less than specified value									

DRAWING

Unit : mm



$\varnothing D \times L$	A	B	C	E	R
6.3×7.7	2.4	6.6	6.6	2.2	0.5~0.8
8×10	2.9	8.3	8.3	3.1	0.8~1.1
10×10	3.2	10.3	10.3	4.5	0.8~1.1

DIMENSIONS & MAXIMUM PERMISSIBLE RIPPLE CURRENT

μF	WV	25		35			50			63		
15												
22							6.3×7.7	80	410	6.3×7.7	80	410
33										8×10	40	610
47				6.3×7.7	60	510						
56							8×10	35	660	10×10	30	710
68	6.3×7.7	45	540									
100				8×10	30	710	10×10	28	780			
150	8×10	27	740	10×10	23	830						
270	10×10	22	850									

Ripple current (mA rms) at 150°C, 100kHz
 ESR (Ω) at 20°C, 100kHz
 Case size $\varnothing D \times L$ (mm)

FREQUENCY COEFFICIENT OF PERMISSIBLE RIPPLE CURRENT

Frequency	120Hz	1kHz	10kHz	100kHz
Coefficient	0.05	0.30	0.70	1.00

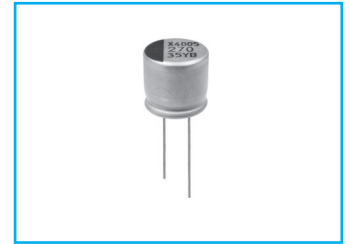
CONDUCTIVE POLYMER HYBRID ALUMINUM ELECTROLYTIC CAPACITORS



Upgrade

YB

Lead type, Standard Series



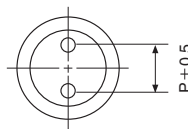
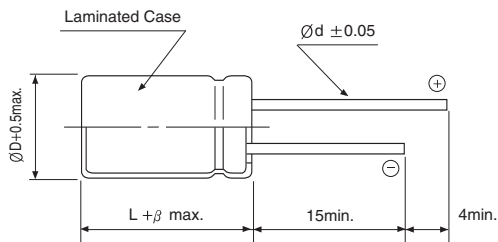
- Endurance with ripple current: 10000 hours at 105°C
- Complied to the RoHS directive

Item	Characteristics												
Operating temperature range	-55 ~ +105°C												
Leakage current max.	$I = 0.01CV$ or $3\mu A$ whichever is greater (after 2 minutes)												
Capacitance tolerance	$\pm 20\%$ at 120Hz, 20°C												
Dissipation factor max. (at 120Hz, 20°C)	<table border="1"> <tr> <td>WV</td> <td>16</td> <td>25</td> <td>35</td> <td>50</td> <td>63 ~ 100</td> </tr> <tr> <td>$\tan\delta$</td> <td>0.16</td> <td>0.14</td> <td>0.12</td> <td>0.10</td> <td>0.08</td> </tr> </table>	WV	16	25	35	50	63 ~ 100	$\tan\delta$	0.16	0.14	0.12	0.10	0.08
	WV	16	25	35	50	63 ~ 100							
$\tan\delta$	0.16	0.14	0.12	0.10	0.08								
Low temperature characteristics (Impedance ratio at 100kHz)	$Z(-25^\circ C) / Z(+20^\circ C) \leq 1.5$ $Z(-55^\circ C) / Z(+20^\circ C) \leq 2.0$												
Load life	After an application of DC bias voltage plus the rated AC ripple current for 10000 hours at 105°C. The measurement shall meet the following limits. The DC voltage plus the peak AC voltage combined must not exceed the rated voltage.												
	Capacitance change	Within $\pm 30\%$ of initial value											
	$\tan\delta$	Less than 200% of the specified value											
	ESR	Less than 200% of the specified value											
	Leakage current	Less than specified value											
Shelf life (at 105°C)	After 1000 hours no load test, leakage current, capacitance and $\tan\delta$ are same as load life value. The measurement shall be performed at 20°C by the KS C IEC 60384 - 4												

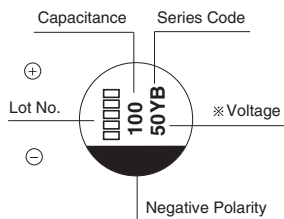
HYBRID TYPES

● DRAWING

Unit : mm



Size	ØD	L	P	Ød	β
6.3×7.5	6.3	7.5	2.5	0.45	1.5
8×9.5	8	9.5	3.5	0.60	1.5
10×9.5	10.0	9.5	5.0	0.60	1.5
10×12	10.0	12.0	5.0	0.60	1.5



● PACKING & TAPING (See page 88 ~ 90)

CONDUCTIVE POLYMER HYBRID ALUMINUM ELECTROLYTIC CAPACITORS

YB series

● DIMENSIONS & MAXIMUM PERMISSIBLE RIPPLE CURRENT

μF \diagdown WV	16			25			35		
47							6.3×7.5	35	2000
68				6.3×7.5	30	2000	6.3×7.5	35	2000
100				6.3×7.5	30	2000	8×9.5	27	2300
150	6.3×7.5	27	2200	8×9.5	27	2300	8×9.5	27	2300
							10×9.5	20	2500
220				8×9.5	27	2300			
270	8×9.5	22	2500	10×9.5	20	2500	10×9.5	20	2500
330				10×9.5	20	2500	10×12	17	2800
470	10×9.5	18	2600	10×12	16	2800			
560	10×12	14	3000						

μF \diagdown WV	50			63			80		
10				6.3×7.5	80	1500			
15	6.3×7.5	40	1600						
22				6.3×7.5	80	1500	8×9.5	45	1600
				8×9.5	40	1600			
33	6.3×7.5	40	1600	8×9.5	40	1600			
	8×9.5	30	1800	10×9.5	30	1800			
39							10×9.5	35	1700
47	8×9.5	30	1800				10×12	32	1800
56	10×9.5	25	2000	10×9.5	30	1800			
68	10×9.5	25	2000	10×12	22	2100			
100	10×9.5	25	2000						
150	10×12	19	2300						

μF \diagdown WV	100		
10	8×9.5	60	1450
15	10×9.5	45	1500
18	10×12	40	1580

Ripple current (mA rms) at 105°C, 100kHz
 ESR (mΩ) at 20°C, 100kHz
 Case size $\varnothing D \times L$ (mm)

● FREQUENCY COEFFICIENT OF PERMISSIBLE RIPPLE CURRENT

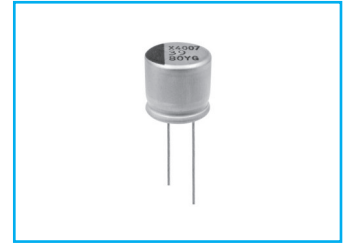
Frequency	120Hz	1kHz	10kHz	100kHz
Coefficient	0.05	0.30	0.70	1.00

CONDUCTIVE POLYMER HYBRID ALUMINUM ELECTROLYTIC CAPACITORS



Upgrade

YG Lead type, High Temperature Series

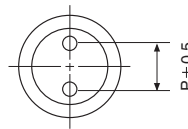
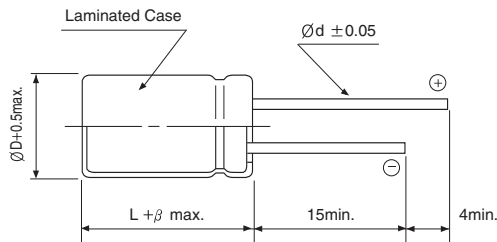


- High temperature range, for 125°C use
- Complied to the RoHS directive

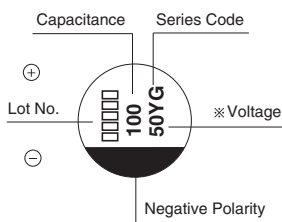
Item	Characteristics												
Operating temperature range	-55 ~ +125°C												
Leakage current max.	$I = 0.01CV$ or $3\mu A$ whichever is greater (after 2 minutes)												
Capacitance tolerance	$\pm 20\%$ at 120Hz, 20°C												
Dissipation factor max. (at 120Hz, 20°C)	<table border="1"> <tr> <td>WV</td> <td>16</td> <td>25</td> <td>35</td> <td>50</td> <td>63 ~ 100</td> </tr> <tr> <td>$\tan\delta$</td> <td>0.16</td> <td>0.14</td> <td>0.12</td> <td>0.10</td> <td>0.08</td> </tr> </table>	WV	16	25	35	50	63 ~ 100	$\tan\delta$	0.16	0.14	0.12	0.10	0.08
	WV	16	25	35	50	63 ~ 100							
$\tan\delta$	0.16	0.14	0.12	0.10	0.08								
Low temperature characteristics (Impedance ratio at 100kHz)	$Z(-25^\circ C) / Z(+20^\circ C) \leq 1.5$ $Z(-55^\circ C) / Z(+20^\circ C) \leq 2.0$												
Load life	After an application of DC bias voltage plus the rated AC ripple current for 4000 hours at 125°C. The measurement shall meet the following limits. The DC voltage plus the peak AC voltage combined must not exceed the rated voltage.												
	Capacitance change	Within $\pm 30\%$ of initial value											
	$\tan\delta$	Less than 200% of the specified value											
	ESR	Less than 200% of the specified value											
	Leakage current	Less than specified value											
Shelf life (at 125°C)	After 1000 hours no load test, leakage current, capacitance and $\tan\delta$ are same as load life value. The measurement shall be performed at 20°C by the KS C IEC 60384 - 4												

● DRAWING

Unit : mm



Size	ØD	L	P	Ød	β
6.3×7.5	6.3	7.5	2.5	0.45	1.5
8×9.5	8	9.5	3.5	0.60	1.5
10×9.5	10.0	9.5	5.0	0.60	1.5
10×12	10.0	12.0	5.0	0.60	1.5



● PACKING & TAPING (See page 88 ~ 90)

HYBRID TYPES

CONDUCTIVE POLYMER HYBRID ALUMINUM ELECTROLYTIC CAPACITORS

YG series

● DIMENSIONS & MAXIMUM PERMISSIBLE RIPPLE CURRENT

μF \diagdown WV	16			25			35		
47							6.3×7.5	35	1400
68				6.3×7.5	30	1400	6.3×7.5	35	1400
100				6.3×7.5	30	1400	8×9.5	27	1600
150	6.3×7.5	27	1450	8×9.5	27	1600	8×9.5	27	1600
							10×9.5	20	2000
220				8×9.5	27	1600			
270	8×9.5	22	1700	10×9.5	20	2000	10×9.5	20	2000
330				10×9.5	20	2000	10×12	17	2260
470	10×9.5	18	2100	10×12	16	2260			
560	10×12	14	2320						

μF \diagdown WV	50			63			80		
10				6.3×7.5	80	900			
15	6.3×7.5	40	1100						
22				6.3×7.5	80	900	8×9.5	45	1100
				8×9.5	40	1100			
33	6.3×7.5	40	1100	8×9.5	40	1100			
	8×9.5	30	1250	10×9.5	30	1400			
39							10×9.5	35	1200
47	8×9.5	30	1250				10×12	32	1400
56	10×9.5	25	1600	10×9.5	30	1400			
68	10×9.5	25	1600	10×12	22	1650			
100	10×9.5	25	1600						
150	10×12	19	1820						

μF \diagdown WV	100		
10	8×9.5	60	900
15	10×9.5	45	1120
18	10×12	40	1220

↑ Ripple current (mA rms) at 125°C, 100kHz
 ↑ ESR (mΩ) at 20°C, 100kHz
 ↑ Case size $\varnothing D \times L$ (mm)

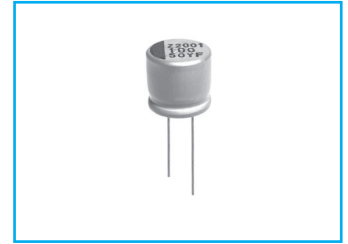
● FREQUENCY COEFFICIENT OF PERMISSIBLE RIPPLE CURRENT

Frequency	120Hz	1kHz	10kHz	100kHz
Coefficient	0.05	0.30	0.70	1.00

New
YF

Lead type, Ultra High Temperature Series

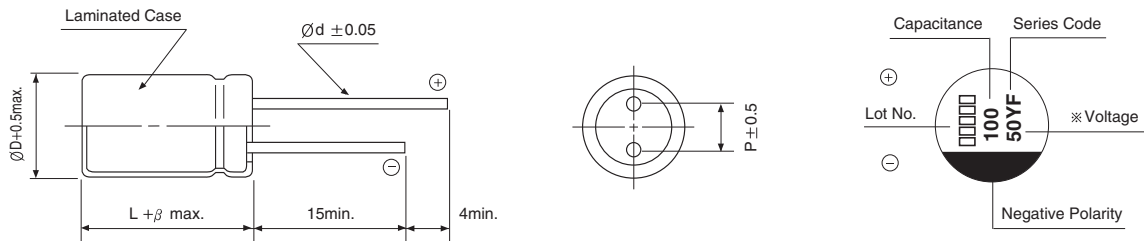
- High temperature range, for 150°C use
- Complied to the RoHS directive



Item	Characteristics										
Operating temperature range	-55 ~ +150°C										
Leakage current max.	$I = 0.01CV$ or $3\mu A$ whichever is greater (after 2 minutes)										
Capacitance tolerance	$\pm 20\%$ at 120Hz, 20°C										
Dissipation factor max. (at 120Hz, 20°C)	<table border="1"> <tr> <td>WV</td> <td>25</td> <td>35</td> <td>50</td> <td>63</td> </tr> <tr> <td>tanδ</td> <td>0.14</td> <td>0.12</td> <td>0.1</td> <td>0.08</td> </tr> </table>	WV	25	35	50	63	tan δ	0.14	0.12	0.1	0.08
	WV	25	35	50	63						
tan δ	0.14	0.12	0.1	0.08							
Low temperature characteristics (Impedance ratio at 100kHz)	$Z(-25^\circ C) / Z(+20^\circ C) \leq 1.5$ $Z(-55^\circ C) / Z(+20^\circ C) \leq 2.0$										
Load life	After an application of DC bias voltage plus the rated AC ripple current for 1000 hours at 150°C. The measurement shall meet the following limits. The DC voltage plus the peak AC voltage combined must not exceed the rated voltage.										
	Capacitance change	Within $\pm 30\%$ of initial value									
	tan δ	Less than 200% of the specified value									
	ESR	Less than 200% of the specified value									
	Leakage current	Less than specified value									
Shelf life(at 150°C)	After 1000 hours no load test, leakage current, capacitance and tan δ are same as load life value. The measurement shall be performed at 20°C by the KS C IEC 60384 - 4										

● DRAWING

Unit : mm



Size	ØD	L	P	Ød	β
6.3×7.5	6.3	7.5	2.5	0.45	1.5
8×9.5	8	9.5	3.5	0.60	1.5
10×9.5	10.0	9.5	5.0	0.60	1.5

● PACKING & TAPING (See page 88 ~ 90)

● DIMENSIONS & MAXIMUM PERMISSIBLE RIPPLE CURRENT

µF	WV	25			35			50			63		
15													
22							6.3×7.5	80	410	6.3×7.5	80	410	
33										8×9.5	40	610	
47					6.3×7.5	60	510						
56								8×9.5	35	660	10×9.5	30	710
68	6.3×7.7	45	540										
100							8×9.5	30	710	10×9.5	28	780	
150	8×9.5	27	740	10×9.5	23	830							
270	10×9.5	22	850										

↑ Ripple current (mA rms) at 150°C, 100kHz
 ↑ ESR (mΩ) at 20°C, 100kHz
 ↑ Case size ØD×L(mm)

● FREQUENCY COEFFICIENT OF PERMISSIBLE RIPPLE CURRENT

Frequency	120Hz	1kHz	10kHz	100kHz
Coefficient	0.05	0.30	0.70	1.00

HYBRID TYPES