

# TAI-TECH

## Advanced Electronics Co., Ltd.

### ***Ultra High Current SMD Ferrite Beads***



# Ultra High Current SMD Ferrite Beads

Ultra High Current Ferrite Beads, which is BPH-Series as TAI-TECH products, fully automated manufacturing.

BPH products used a variety of ferrite materials (100-2000UI) as infra-structure.

Design with flat coil, providing low DC resistance (1M ohm below) & High current (30A TYP). Suitable for low-frequency signal process, is an excellent countermeasure for POWER EMI.

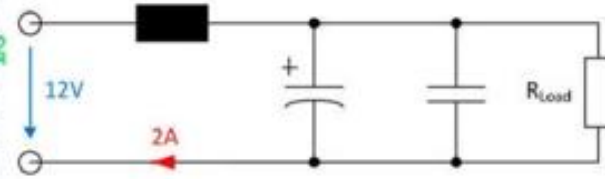
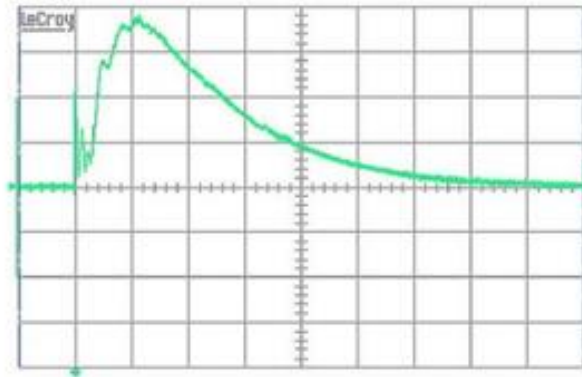
## FEATURE

1. FAST : SMD type products, which It's more convenient than traditional DIP TYPE by doing SMT process, shorten the required working hours for production.
2. STABLE : Ultra-low DC resistance & high current rating design achieve much better inrush current performance than multilayer chip bead, avoiding open circuit.
3. FLEXIBLE : High Curie temperature material & simple structure, which are suitable for wave soldering process, and it's helpful for the space of PCB layout utilization.

# BPH Inrush Simulation

## BPH403025W4-530T Inrush Current Testing

Real  
Waveform



Simulation  
Waveform

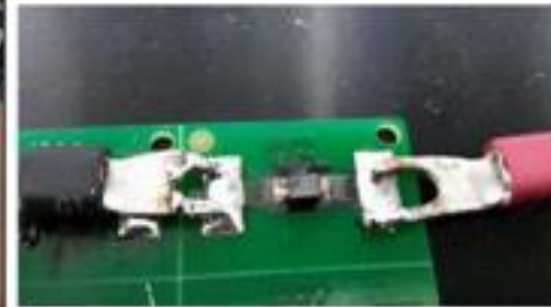


# BPH Inrush Simulation result

## BPH403025W4-530T Inrush Current Testing

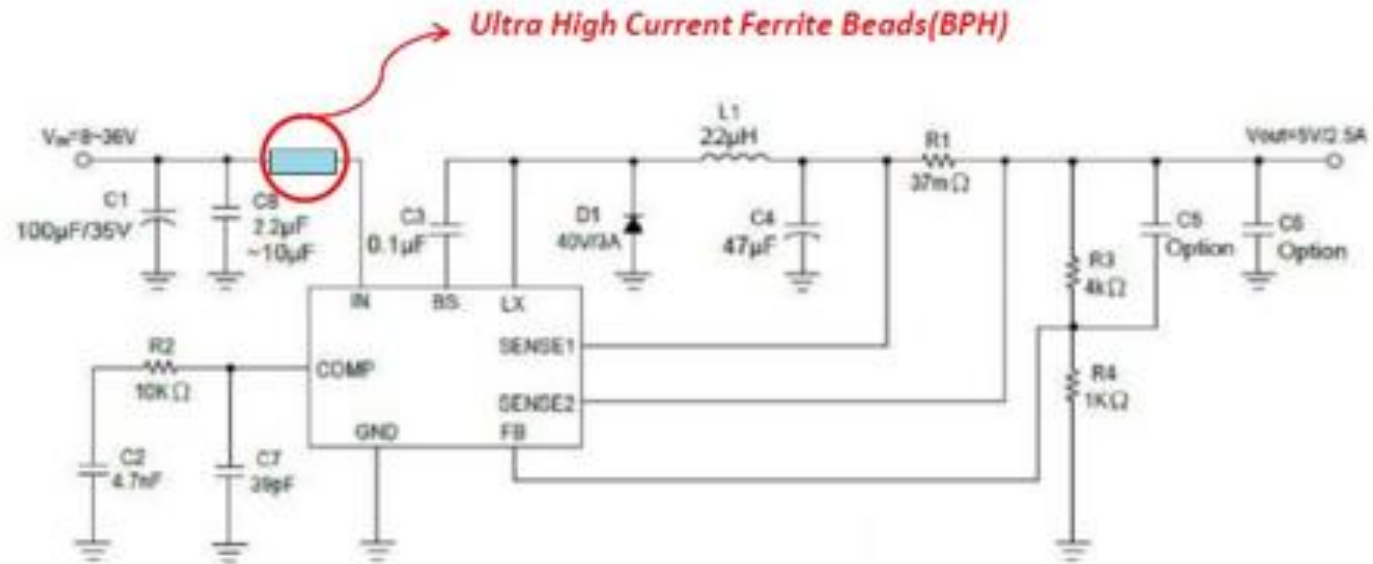
[Short time inrush test]

	Current	45A	45A	45A	45A	45A	45A
Time	( $\mu$ S)	10	20	30	100	1000	5000
Situation	(Pass/fail)	PASS	PASS	PASS	PASS	PASS	PASS



# BPH Application As Input Choke

DC-DC Buck



## ELEKTRONIK **Blume**

Wilhelm Haßenpflug

BLUME ELEKTRONIK DISTRIBUTION GMBH

TECCENTER 1 | 31162 | BAD SALZDETFURTH

FON:(0 50 63) 27 12-20 | FAX:(0 50 63) 27 12-12

EMAIL: HASSENPFUG@BLUME-ELEKTRONIK.DE

[WWW.BLUME-ELEKTRONIK.DE](http://WWW.BLUME-ELEKTRONIK.DE)

partnership in excellence