

# TAI-TECH

## Advanced Electronics Co., Ltd.

### *Wire Wound Type Balun Filter*

### *BCM Series*



# Wire Wound Type Balun Filter

## BCM Series

TAI-TECH new released BCM-Series is known as balun filters(balanced to unbalanced filters) are applicable for surface mount technology with highly automatic winding technology.

Based on new materials R&D technology, the 1.4mm Max height product is achieved with operating temperature range from -40 degrees to 125 degrees, which suitable for multiple applications.

### **Product features:**

1. Fully automated production with high product consistency.
2. Flat surface with good solderability.
3. Operating Range: -40~+125°C
4. Slim product design.
5. Multiple inductance values available for various impedance matching application.
6. 100% Lead(Pb) & Halogen-Free and RoHS compliant.

# Product Application

- Cable Modem
- IPC-PoE Switch
- Coaxial Transmitter

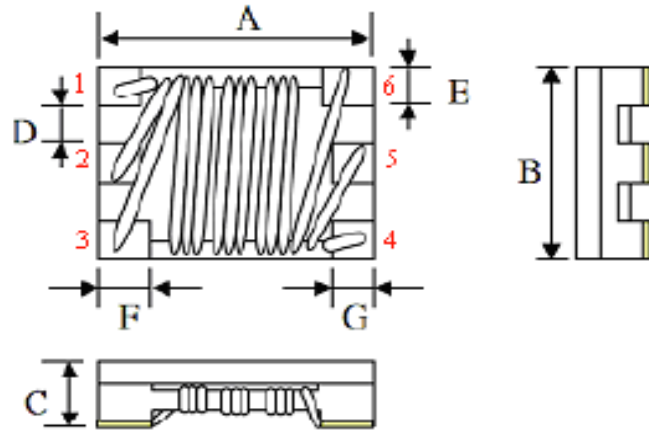


傳統式  
Traditional Type



新型化  
New Type

# Product Specification



## Cross Reference:

TAI-TECH	Murata	TDK
BCM2012	DXW21	ATB2012

尺寸 SIZE(W*L*H)	阻抗匹配 Impedance Match	開數比 Turns Rate
3.2 x 2.5 x 2.3	75 OHM	3:4
3.2 x 2.5 x 2.3	75 OHM	3:2
3.2 x 2.5 x 2.3	75 OHM	1:1
2.0x1.2x1.2	50 OHM	1:1
2.0x1.2x1.2	50 OHM	1:1

## ELEKTRONIK **Blume**

Wilhelm Haßenpflug

BLUME ELEKTRONIK DISTRIBUTION GMBH

TECCENTER 1 | 31162 | BAD SALZDETFURTH

FON:(0 50 63) 27 12-20 | FAX:(0 50 63) 27 12-12

EMAIL: HASSENPFUG@BLUME-ELEKTRONIK.DE

[WWW.BLUME-ELEKTRONIK.DE](http://WWW.BLUME-ELEKTRONIK.DE)

partnership in excellence