

Kinnex A RJ45 04F Series

Low Profile, Mid-Plane Mounted RJ45,
Quad Port built-in with 1G/10G Transformer

KRH-04F Series



PRODUCT FEATURES:

- Low profile package for OCP NIC 3.0
- Compliant with IEEE 802.3 standard
- Qualified with top 1G/10G PHY manufacturers
- RoHS peak temperature per IPC/JEDEC J-STD-020C
- Fine tuned magnetics to specific PHY vendors

ELECTRICAL SPECIFICATIONS:

ELECTRICAL SPECIFICATIONS @ 25°±5°C --- OPERATING TEMPERATURE 0°C ~ +70°C

PART NUMBER	LED (L/R)	INSERTION LOSS	RETURN LOSS	CROSS TALK	CM TO CM MODE REJECTION	HI-POT
KRH-04F-V-HS5-679-XXX (1G)	L: YE/GR R: GR	- 0.8dB MAX. (0.3 ~ 100MHz) - 1.2dB MAX. (100 ~ 125MHz)	- 20dB MIN. (1 ~ 30MHz) - 16dB MIN. (30 ~ 60MHz) - 12dB MIN. (60 ~ 100MHz)	- 40dB MIN. (1 ~ 10MHz) - 35dB MIN. (30 ~ 60MHz) - 30dB MIN. (60 ~ 100MHz)	- 30dB MIN.(300 ~ 100MHz)	INPUT TO OUTPUT 1500 VAC / 60SEC
KRH-04F-V-SS5-679-XXX (10G)	L: YE/GR R: GR	- 0.6dB MAX. (1 ~ 100MHz) - 1.0dB MAX. (100 ~ 200MHz) - 1.5dB MAX. (200 ~ 300MHz) - 2.0dB MAX. (300 ~ 400MHz)	- 20dB MIN. (1 ~ 100MHz) - 17dB MIN. (100 ~ 200MHz) - 14dB MIN. (200 ~ 300MHz) - 13dB MIN. (300 ~ 400MHz) - 12dB MIN. (400 ~ 500MHz)	- 25dB MIN. (1 ~ 500MHz)	- 22dB MIN.(1 ~ 100MHz) - 21dB MIN.(100 ~ 300MHz) - 20dB MIN.(300 ~ 800MHz)	INPUT TO OUTPUT 1500 VAC / 60SEC

- LED: (LEFT/RIGHT) YE=YELLOW, GR=GREEN

DURABILITY TESTING RATING:

RJ45 DURABILITY TESTING RATING

PART NUMBER	MATING FORCE	UMMATING FORCE	DURABILITY	SUGGESTED PEAK WAVE
KRH-04F-V-HS5-679-XXX (1G)	4 POUNDS MAX.	4 POUNDS MAX.	750 MATING CYCLED MIN.	SOLDERING CONDITION IS 260°C MAX. / 10 SECONDS MAX.
KRH-04F-V-SS5-679-XXX (10G)	4 POUNDS MAX.	4 POUNDS MAX.	750 MATING CYCLED MIN.	SOLDERING CONDITION IS 260°C MAX. / 10 SECONDS MAX.

MATERIAL SPECIFICATION:

RJ45 MATERIAL SPECIFICATION

PART NUMBER	SHIELD		CONTACT		HOUSING	
	MATERIAL	FINISH	MATERIAL	PLATING	MATERIAL	SPECIFICATION
KRH-04F-V-HS5-679-XXX (1G)	COPPER ALLOY	NICKEL PLATING	PHOS-BRONZE	50u" GOLD PLATING ON CONTACT AREANICKEL UNDERPLATING OVERALL	HIGH THERMOPLASTIC	UL 94V-0
KRH-04F-V-SS5-679-XXX (10G)	COPPER ALLOY	NICKEL PLATING	PHOS-BRONZE	50u" GOLD PLATING ON CONTACT AREANICKEL UNDERPLATING OVERALL	HIGH THERMOPLASTIC	UL 94V-0

Copyright © 2018 KinnexA Inc. All rights reserved.

Connected by **Kinnex A**

8F., No.172, Cheng Teh Road, Sec. 4, Taipei 11167, Taiwan
TEL: +886-2-2883-3199 FAX: +886-2-2882-1818
sales@kinnexa.com www.kinnexa.com

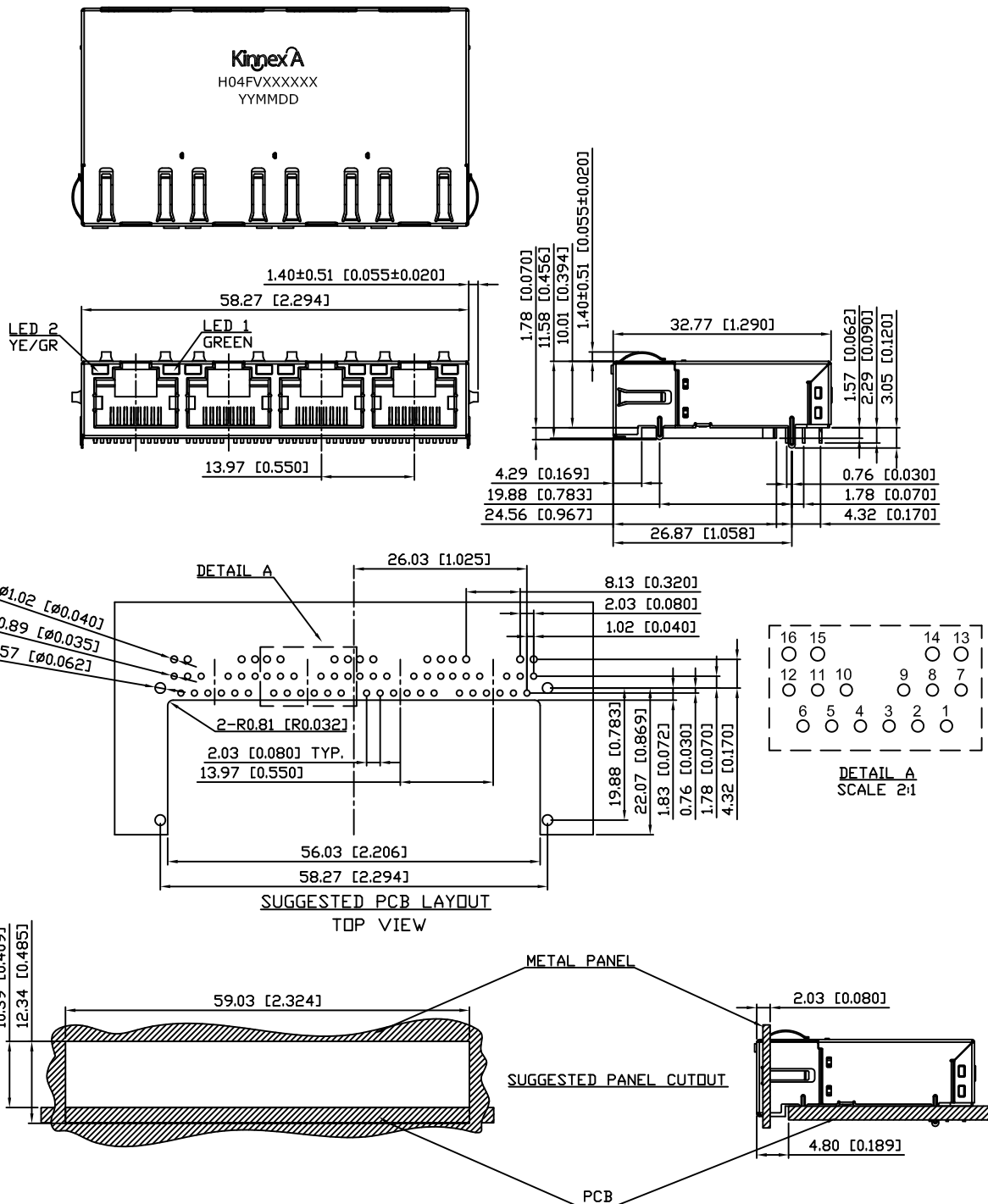


RJ45 04F Series

Low Profile, Mid-Plane Mounted RJ45,
Quad Port built-in with 1G/10G Transformer

MECHANICAL

KRH-04F-V-HS5-679-XXX / KRH-04F-V-SS5-679-XXX



The product information on these data sheets are for reference only. Please request the Engineering Drawing for the current and accurate design information.

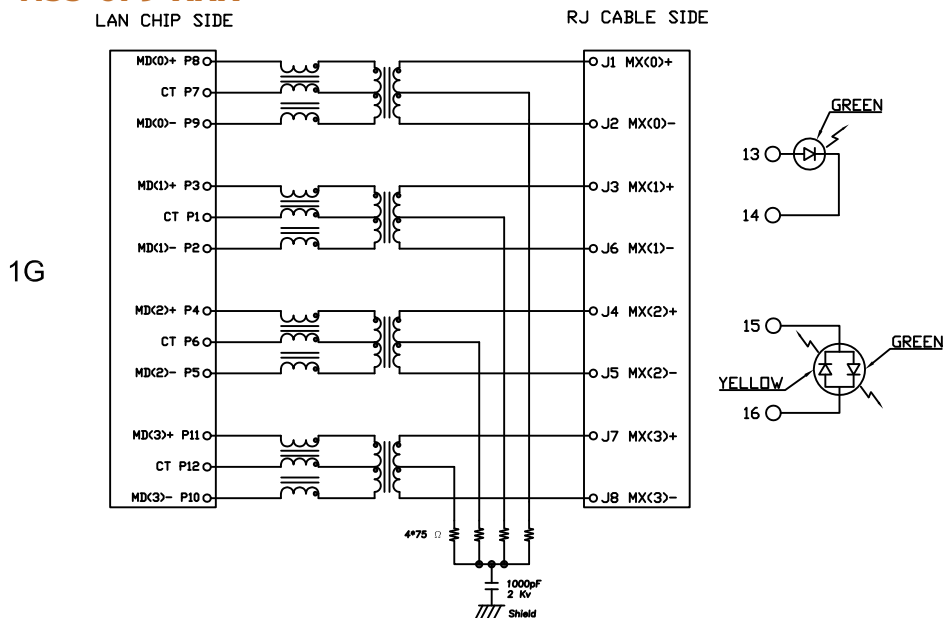
Copyright © 2018 KinnexA Inc. All rights reserved.



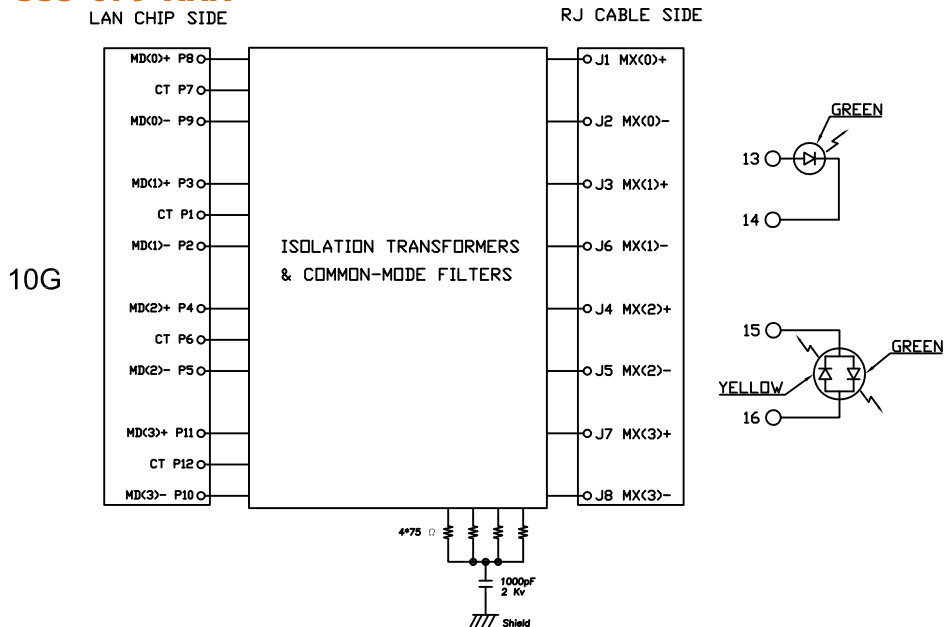
8F., No.172, Cheng Teh Road, Sec. 4, Taipei 11167, Taiwan
 TEL: +886-2-2883-3199 FAX: +886-2-2882-1818
 sales@kinnexa.com www.kinnexa.com

SCHEMATICS

KRH-04F-V-HS5-679-XXX



KRH-04F-V-SS5-679-XXX



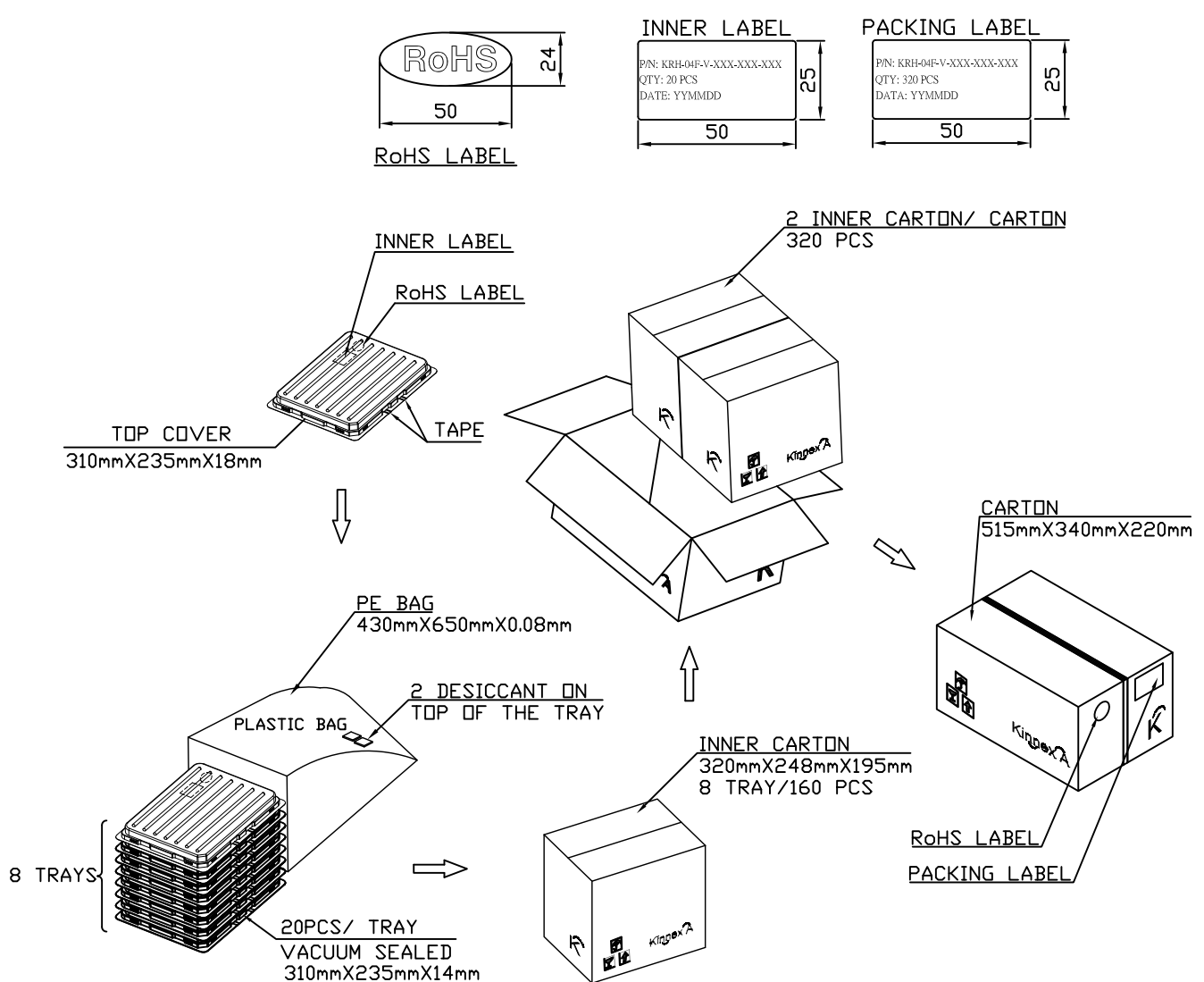
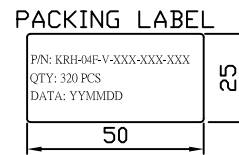
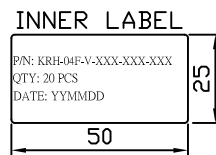
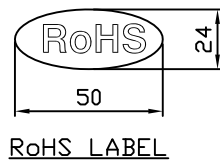
COLOR	VF(V) @20mA		IV(mcd) @20mA	IF(mA)	PEAK WAVE LENGTH λ P(nm) @20mA	
	TYP	MAX	TYP	TYP	TYP	
GREEN	2.7	3.1	20	20	525	
YELLOW	2.7	3.1	20	20	585	
GREEN	2.7	3.1	20	20	525	

Copyright © 2018 KinnexA Inc. All rights reserved.

The product information on these data sheets are for reference only. Please request the Engineering Drawing for the current and accurate design information.

PACKING

KRH-04F-V-HS5-679-XXX/ KRH-04F-V-SS5-679-XXX



The product information on these data sheets are for reference only. Please request the Engineering Drawing for the current and accurate design information.

Copyright © 2018 KinnexA Inc. All rights reserved.