

DATA SHEET

SkelCap
ULTRACAPACITOR

- + Capacitance 350 F
- + Extreme power density
- + Durable and safe aluminum casings
- + High cycle life >1,000,000 cycles



SPECIFICATIONS	VALUE	UNIT
Rated capacitance	350	F
Rated voltage V_R	2.85	V
DC ESR, rated	1.70	m Ω
Surge voltage	3	V
Nominal specific power	29	kW/kg
Practical specific power	18	kW/kg
Specific power, matched Impedance	17.1	kW/kg
Power density, matched Impedance	22.7	kW/L
Practical power*, calculated from total resistance (for engineering)		
Power, matched impedance / P	1.2	kW
Specific power, matched impedance / P_{max}	17.1	kW/kg
Power density, matched Impedance	22.7	kW/L
Energy		
Stored energy / E	0.39	Wh
Specific energy / E_{max}	5.6	Wh/kg
Energy density / E_{vol}	7.5	Wh/L
PHYSICAL PARAMETERS	VALUE	UNIT
Casing, volume	0.05	L
Typical mass	0.07	kg
Cell length	61.4	mm
Cell diameter	33	mm

TEMPERATURE AND LIFE

VALUE

UNIT

Operating temperature range

Minimum

-40

°C

Maximum

+65

°C

Storage temperature range (uncharged)

Minimum

-40

°C

Maximum

+50

°C

Life

Capacitance decrease 20% from rated value;
resistance increase 100% from rated value

Storage life @ RT, uncharged

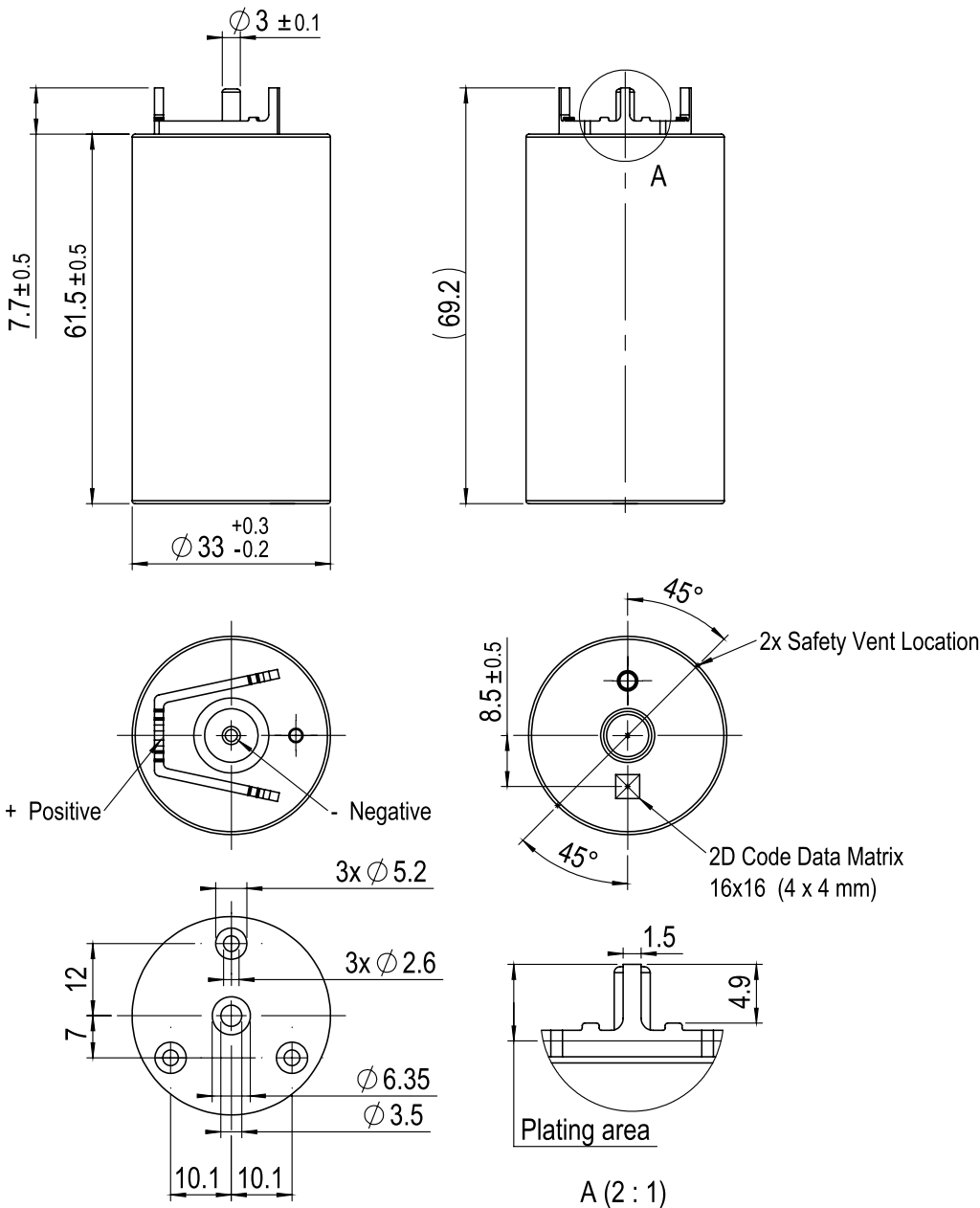
10

Years

Cyclife @ RT, between V_R and $V_R/2$

1,000,000

Cycles



Board drillings
Board thickness: 1.5-3.2 mm