

## Data Sheet

**Customer:**

**Product:** SMD Power Inductor—SDE..A Series

**Sizes.:** 0420 / 0530 / 0630 / 0650 / 1040 / 1050 / 1265 / 1770

**Issued Date:** 17-Sep-20

**Edition:** REV.A



VIKING TECH CORPORATION  
光頤科技股份有限公司  
No.70, Guangfu N. Rd.,  
Hukou Township, Hsinchu County  
303, Taiwan (R.O.C)

TEL:886-3-5972931  
FAX:886-3-5972935•886-3-5973494  
E-mail:sales@viking.com.tw

VIKING TECH CORPORATION KAOHSIUNG BRANCH  
光頤科技股份有限公司高雄分公司  
No.248-3, Sin-Sheng Rd., Cian-Jhen Dist., Kaohsiung,  
806, Taiwan

TEL:886-7-8217999  
FAX:886-7-8228229  
E-mail:sales@viking.com.tw

VIKING ELECTRONICS (WUXI) CO., LTD.  
光頤電子(無錫)有限公司  
No.22 Xixia Road, Machinery & Industry Park,  
National Hi-Tech Industrial Development Zone  
of Wuxi, Wuxi, Jiangsu Province, China  
Zip Code:214028  
TEL:86-510-85203339  
FAX:86-510-85203667•86-510-85203977  
E-mail:china@viking.com.tw

Produced by (QC)	Checked (QC)	Approved by (QC)	Prepared by (Sales)	Accepted by (Customer)
17-Sep-20	17-Sep-20	17-Sep-20	17-Sep-20	
<i>Kris Chen</i>	<i>Ben Chang</i>	<i>Ben Chang</i>		

## SMD Power Inductor



### ■ Features

- Carbonyl Powder
- Compact design
- High current, low DCR, high efficiency
- Very low acoustic noise and very low leakage flux noise
- High reliability -Reliability test complied to AEC-Q200
- 100% Lead(Pb) & Halogen-Free and RoHS compliant

### ■ Applications

- Note PC Power System · incl. IMVP-6
- DC/DC Converter

### ■ Characteristics except 1770

- Saturation Current (Isat) will cause L0 to drop approximately 30%
- Heat Rated Current (Irms) will cause the coil temperature rise approximately  $\Delta T$  of 40°C
- All test data is referred to 25°C ambient
- The part temperature (ambient + temp rise) should not exceed 125 °C under worst case operating conditions. Circuit design, component, PCB trace size and thickness, airflow and other cooling provisions all affect the part temperature. Part temperature should be verified in the end application
- Operating temperature range: -40~125°C(Including self - temperature rise)

### ■ Characteristics for 1770

- Saturation Current (Isat 1) will cause L0 to drop approximately 20%
- Saturation Current (Isat 2) will cause L0 to drop approximately 30%
- Heat Rated Current (Irms) will cause the coil temperature rise approximately  $\Delta T$  of 40°C
- All test data is referred to 25°C ambient
- The part temperature (ambient + temp rise) should not exceed 125 °C under worst case operating conditions. Circuit design, component, PCB trace size and thickness, airflow and other cooling provisions all affect the part temperature. Part temperature should be verified in the end application
- Operating temperature range: -40~125°C(Including self - temperature rise)

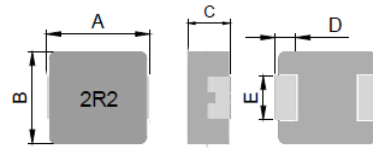
### ■ Inductance and rated current ranges

- SDE0420HP 1.0~10μH 8.5~2.3A
- SDE0530HP 1.0~10μH 12.0~4.0A
- SDE0630H 1.0~22μH 22.0~3.5A
- SDE0650H 1.0~22μH 20.0~5.5A
- SDE1040H 1.0~47μH 36.0~4.5A
- SDE1050H 1.0~47μH 30.0~6.5A
- SDE1265HP 1.0~47μH 48.0~9.5A
- SDE1770HP 1.0~47μH 60.0~9.5A

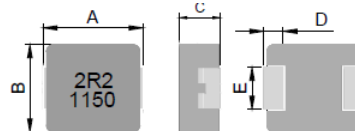
- Test equipment:

- L: HP4284A LCR meter
- DCR: Milli-ohm meter

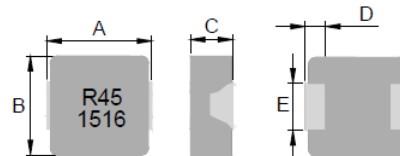
SDE0420



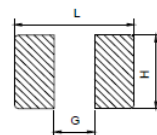
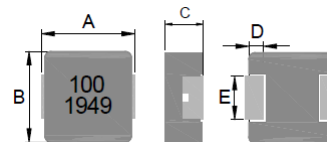
SDE0530 / 0630 / 0650 / 1040(2R2~470)  
SDE1050(2R2~470)  
SDE1265(1R8~470)



SDE1040(1R0~1R5) / 1050(1R0~1R5)  
SDE1265(1R0~1R5)



SDE1770



Note 1 (SDE0420 / 0530)

- 1.The above PCB layout reference only.
- 2.Recommended solder paste thickness at 0.12mm and above.

Note 2 (SDE0630 / 0650 / 1040 / 1050 / 1265)

- 1.The above PCB layout reference only.
- 2.Recommended solder paste thickness at 0.15mm and above.

Note 3 (SDE1770)

- 1.The above PCB layout reference only.
- 2.Recommended solder paste thickness at 0.17mm and above.

**SMD Power Inductor**

**■ Dimensions**

Unit: mm

Type	A	B	C	D	E	L	G	H
SDE0420HP	4.45±0.25	4.06±0.25	1.80±0.20	0.76±0.30	2.00±0.20	5.20	2.20	2.40
SDE0530HP	5.70±0.30	5.20±0.20	2.80±0.20	1.10±0.30	2.50±0.30	6.50	2.50	2.80
SDE0630H	7.30±0.30	6.60±0.30	2.80±0.20	1.80±0.30	3.00±0.30	8.40	2.50	3.50
SDE0650H	7.30±0.30	6.60±0.30	4.80±0.20	1.80±0.30	3.00±0.30	8.40	2.50	3.50
SDE1040H	11.00±0.50	10.00±0.30	3.80±0.20	2.30±0.30	3.00±0.30	13.60	5.40	3.50
SDE1050H	11.00±0.50	10.00±0.30	4.80±0.20	2.30±0.30	3.00±0.30	13.60	5.40	3.50
SDE1265HP	13.50±0.50	12.50±0.30	6.20±0.30	2.30±0.30	4.70±0.30	14.20	8.00	5.00
SDE1770HP	17.60±0.50	16.90±0.30	6.70±0.30	2.10±0.30	11.90±0.30	18.50	12.20	12.50

**■ Product Identification**

SDE	0420HP	M	T	1R0	A
Product Type	Dimensions (BxC)	Inductor Tolerance	Packaging Style	Inductance	Function Code
	0420HP: 4.06×1.80 0530HP: 5.20×2.80 0630H: 6.60×2.80 0650H: 6.60×4.80 1040H: 10.00×3.80 1050H: 10.00×4.80 1265HP: 12.50×6.20 1770HP: 16.90×6.70	M: ±20%	T: Tape and Reel	1R0: 1.0μH 100: 10μH	A: Automotive Grade

**■ Electrical Characteristics**

SDE0420HP Type

Part No.	Inductance (uH)	Tolerance	Test Condition	DCR (mΩ)		Isat (A) Typ.	Irms (A) Typ.
				Typ.	Max.		
SDE0420HPMT1R0A	1.0	±20%	100KHz, 1V	22.00	27.0	8.5	5.0
SDE0420HPMT1R2A	1.2	±20%	100KHz, 1V	25.00	30.0	7.8	4.8
SDE0420HPMT1R5A	1.5	±20%	100KHz, 1V	34.80	42.0	7.0	4.5
SDE0420HPMT2R2A	2.2	±20%	100KHz, 1V	51.00	61.0	6.0	4.0
SDE0420HPMT3R3A	3.3	±20%	100KHz, 1V	69.00	76.0	4.0	3.5
SDE0420HPMT4R7A	4.7	±20%	100KHz, 1V	95.00	105.0	3.5	2.6
SDE0420HPMT5R6A	5.6	±20%	100KHz, 1V	112.00	125.0	3.0	2.2
SDE0420HPMT6R8A	6.8	±20%	100KHz, 1V	150.00	172.0	2.8	2.1
SDE0420HPMT8R2A	8.2	±20%	100KHz, 1V	158.00	180.0	2.5	2.0
SDE0420HPMT100A	10	±20%	100KHz, 1V	215.00	243.0	2.3	1.8

SDE0530HP Type

Part No.	Inductance (uH)	Tolerance	Test Condition	DCR (mΩ)		Isat (A) Typ.	Irms (A) Typ.
				Typ.	Max.		
SDE0530HPMT1R0A	1.0	±20%	100KHz, 1V	12.6	13.7	12.0	8.8
SDE0530HPMT1R2A	1.2	±20%	100KHz, 1V	13.0	17.0	11.5	8.0
SDE0530HPMT1R5A	1.5	±20%	100KHz, 1V	16.0	20.7	11.0	7.2
SDE0530HPMT2R2A	2.2	±20%	100KHz, 1V	25.0	29.2	10.0	5.8
SDE0530HPMT3R3A	3.3	±20%	100KHz, 1V	32.0	38.0	8.5	5.0
SDE0530HPMT4R7A	4.7	±20%	100KHz, 1V	50.0	53.0	8.0	4.6
SDE0530HPMT5R6A	5.6	±20%	100KHz, 1V	55.0	63.0	7.0	4.3
SDE0530HPMT6R8A	6.8	±20%	100KHz, 1V	68.0	76.2	6.0	4.0
SDE0530HPMT100A	10	±20%	100KHz, 1V	112.0	130.0	4.0	2.8

**SMD Power Inductor**

**Electrical Characteristics**

SDE0630H Type

Part No.	Inductance (uH)	Tolerance	Test Condition	DCR (mΩ)		Isat (A) Typ.	Irms (A) Typ.
				Typ.	Max.		
SDE0630HMT1R0A	1.0	±20%	100KHz, 1V	8.3	10.0	22.0	11.0
SDE0630HMT1R2A	1.2	±20%	100KHz, 1V	10.0	12.0	20.0	10.0
SDE0630HMT1R5A	1.5	±20%	100KHz, 1V	13.0	15.0	18.0	9.0
SDE0630HMT1R8A	1.8	±20%	100KHz, 1V	14.0	17.0	16.0	8.5
SDE0630HMT2R2A	2.2	±20%	100KHz, 1V	18.0	20.0	14.0	8.0
SDE0630HMT3R3A	3.3	±20%	100KHz, 1V	28.0	30.0	13.5	6.0
SDE0630HMT4R7A	4.7	±20%	100KHz, 1V	37.0	40.0	10.0	5.5
SDE0630HMT5R6A	5.6	±20%	100KHz, 1V	43.0	48.0	9.0	5.0
SDE0630HMT6R8A	6.8	±20%	100KHz, 1V	54.0	60.0	8.0	4.5
SDE0630HMT8R2A	8.2	±20%	100KHz, 1V	64.0	68.0	7.5	4.0
SDE0630HMT100A	10	±20%	100KHz, 1V	75.0	85.0	6.0	3.5
SDE0630HMT120A	12	±20%	100KHz, 1V	81.0	93.0	5.5	3.3
SDE0630HMT220A	22	±20%	100KHz, 1V	165.0	190.0	3.5	2.0

SDE0650H Type

Part No.	Inductance (uH)	Tolerance	Test Condition	DCR (mΩ)		Isat (A) Typ.	Irms (A) Typ.
				Typ.	Max.		
SDE0650HMT1R0A	1.0	±20%	100KHz, 1V	6.1	6.5	20.0	15.0
SDE0650HMT1R2A	1.2	±20%	100KHz, 1V	6.7	7.5	18.0	14.0
SDE0650HMT1R5A	1.5	±20%	100KHz, 1V	8.6	9.0	16.5	12.0
SDE0650HMT1R8A	1.8	±20%	100KHz, 1V	9.5	11.0	15.0	12.0
SDE0650HMT2R2A	2.2	±20%	100KHz, 1V	11.2	12.0	14.0	10.0
SDE0650HMT3R3A	3.3	±20%	100KHz, 1V	19.0	20.9	12.0	8.0
SDE0650HMT4R7A	4.7	±20%	100KHz, 1V	28.0	30.8	10.0	6.5
SDE0650HMT5R6A	5.6	±20%	100KHz, 1V	43.5	49.0	9.0	6.0
SDE0650HMT6R8A	6.8	±20%	100KHz, 1V	46.0	51.5	8.5	5.5
SDE0650HMT8R2A	8.2	±20%	100KHz, 1V	56.0	63.0	8.0	5.0
SDE0650HMT100A	10	±20%	100KHz, 1V	60.0	69.0	7.5	4.0
SDE0650HMT150A	15	±20%	100KHz, 1V	81.0	92.0	6.0	3.5
SDE0650HMT220A	22	±20%	100KHz, 1V	140.0	170.0	5.5	2.5

SDE1040H Type

Part No.	Inductance (uH)	Tolerance	Test Condition	DCR (mΩ)		Isat (A) Typ.	Irms (A) Typ.
				Typ.	Max.		
SDE1040HMT1R0A	1.0	±20%	100KHz, 1V	3.00	3.30	36.00	18.00
SDE1040HMT1R2A	1.2	±20%	100KHz, 1V	3.30	3.80	33.00	17.00
SDE1040HMT1R5A	1.5	±20%	100KHz, 1V	4.00	4.60	33.00	16.00
SDE1040HMT2R2A	2.2	±20%	100KHz, 1V	6.50	7.00	27.00	12.00
SDE1040HMT3R3A	3.3	±20%	100KHz, 1V	10.80	11.80	20.00	11.00
SDE1040HMT4R7A	4.7	±20%	100KHz, 1V	15.00	15.50	17.00	10.00
SDE1040HMT5R6A	5.6	±20%	100KHz, 1V	17.00	19.30	14.00	9.00
SDE1040HMT6R8A	6.8	±20%	100KHz, 1V	17.50	23.30	13.50	8.50
SDE1040HMT8R2A	8.2	±20%	100KHz, 1V	20.00	22.50	12.50	8.00
SDE1040HMT100A	10	±20%	100KHz, 1V	27.00	30.00	12.00	7.50
SDE1040HMT150A	15	±20%	100KHz, 1V	40.00	45.00	10.00	6.25
SDE1040HMT220A	22	±20%	100KHz, 1V	64.00	74.00	7.00	5.00
SDE1040HMT330A	33	±20%	100KHz, 1V	92.00	112.00	5.00	3.50
SDE1040HMT470A	47	±20%	100KHz, 1V	145.00	167.00	4.50	3.00

**SMD Power Inductor**

**Electrical Characteristics**

SDE1050H Type

Part No.	Inductance (uH)	Tolerance	Test Condition	DCR (mΩ)		Isat (A) Typ.	Irms (A) Typ.
				Typ.	Max.		
SDE1050HMT1R0A	1.0	±20%	100KHz, 1V	2.8	3.5	30.0	22.0
SDE1050HMT1R2A	1.2	±20%	100KHz, 1V	2.9	3.5	28.0	20.0
SDE1050HMT1R5A	1.5	±20%	100KHz, 1V	3.5	4.1	27.0	19.0
SDE1050HMT2R2A	2.2	±20%	100KHz, 1V	5.4	6.0	24.0	16.0
SDE1050HMT3R3A	3.3	±20%	100KHz, 1V	9.0	10.4	22.0	14.0
SDE1050HMT8R2A	8.2	±20%	100KHz, 1V	18.5	24.0	14.5	9.0
SDE1050HMT100A	10	±20%	100KHz, 1V	25.0	29.0	13.5	8.0
SDE1050HMT150A	15	±20%	100KHz, 1V	37.0	45.0	9.5	5.5
SDE1050HMT220A	22	±20%	100KHz, 1V	50.0	60.0	9.0	5.0
SDE1050HMT330A	33	±20%	100KHz, 1V	80.0	92.0	7.5	4.3
SDE1050HMT470A	47	±20%	100KHz, 1V	125.0	145.0	6.5	3.8

SDE1265HP Type

Part No.	Inductance (uH)	Tolerance	Test Condition	DCR (mΩ)		Isat (A) Typ.	Irms (A) Typ.
				Typ.	Max.		
SDE1265HPMT1R0A	1.0	±20%	100KHz, 1V	1.7	2.3	48.0	30.0
SDE1265HPMT1R5A	1.5	±20%	100KHz, 1V	2.5	3.0	45.0	27.0
SDE1265HPMT1R8A	1.8	±20%	100KHz, 1V	3.6	4.0	40.0	24.0
SDE1265HPMT2R2A	2.2	±20%	100KHz, 1V	3.8	4.2	37.0	22.0
SDE1265HPMT3R3A	3.3	±20%	100KHz, 1V	5.7	6.8	30.0	18.0
SDE1265HPMT4R7A	4.7	±20%	100KHz, 1V	7.0	8.4	28.0	13.5
SDE1265HPMT5R6A	5.6	±20%	100KHz, 1V	8.5	10.0	23.0	12.5
SDE1265HPMT6R8A	6.8	±20%	100KHz, 1V	9.5	11.5	18.0	11.5
SDE1265HPMT8R2A	8.2	±20%	100KHz, 1V	12.0	15.5	16.0	10.5
SDE1265HPMT100A	10	±20%	100KHz, 1V	13.2	16.5	15.5	10.0
SDE1265HPMT120A	12	±20%	100KHz, 1V	16.0	20.0	14.0	9.5
SDE1265HPMT150A	15	±20%	100KHz, 1V	23.2	28.0	12.5	9.0
SDE1265HPMT220A	22	±20%	100KHz, 1V	32.5	37.0	12.0	9.0
SDE1265HPMT330A	33	±20%	100KHz, 1V	48.0	58.0	11.0	8.0
SDE1265HPMT470A	47	±20%	100KHz, 1V	76.0	90.0	9.5	6.5

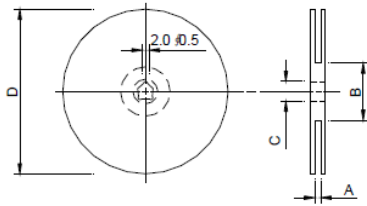
SDE1770HP Type

Part No.	Inductance (uH)	Tolerance	Test Condition	DCR (mΩ)		Isat 1 (A) Typ.	Isat 2 (A) Typ.	Irms (A) Typ.
				Typ.	Max.			
SDE1770HPMT1R0A	1.0	±20%	100KHz, 1V	1.60	2.00	60.0	70.0	52.0
SDE1770HPMT1R5A	1.5	±20%	100KHz, 1V	2.00	2.50	52.0	65.0	47.0
SDE1770HPMT2R2A	2.2	±20%	100KHz, 1V	2.40	2.70	47.0	62.0	43.5
SDE1770HPMT3R3A	3.3	±20%	100KHz, 1V	3.50	3.90	45.0	54.0	28.0
SDE1770HPMT4R7A	4.7	±20%	100KHz, 1V	4.80	5.50	41.0	50.0	25.0
SDE1770HPMT5R6A	5.6	±20%	100KHz, 1V	5.80	7.05	40.0	45.0	21.0
SDE1770HPMT6R8A	6.8	±20%	100KHz, 1V	8.40	9.20	32.0	39.0	19.0
SDE1770HPMT8R2A	8.2	±20%	100KHz, 1V	9.60	10.80	25.0	31.0	18.0
SDE1770HPMT100A	10	±20%	100KHz, 1V	11.80	13.00	24.0	29.0	16.5
SDE1770HPMT150A	15	±20%	100KHz, 1V	17.80	20.50	23.0	27.0	12.5
SDE1770HPMT220A	22	±20%	100KHz, 1V	25.10	26.50	18.0	23.0	12.0
SDE1770HPMT330A	33	±20%	100KHz, 1V	38.00	44.00	15.0	20.0	10.7
SDE1770HPMT470A	47	±20%	100KHz, 1V	48.00	55.00	9.5	16.0	8.7

**SMD Power Inductor**

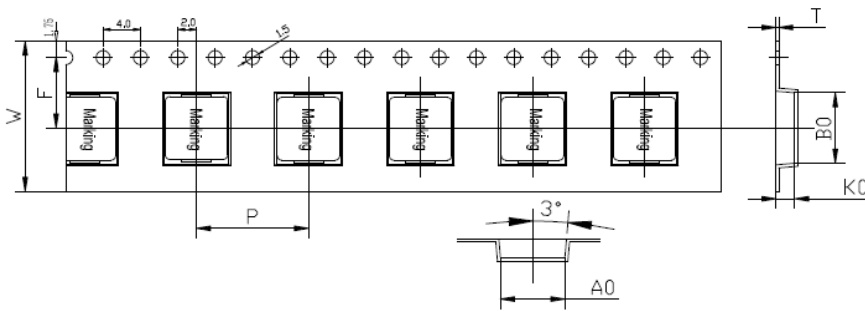
**■Packaging**

Packing Quantity & Reel Specifications

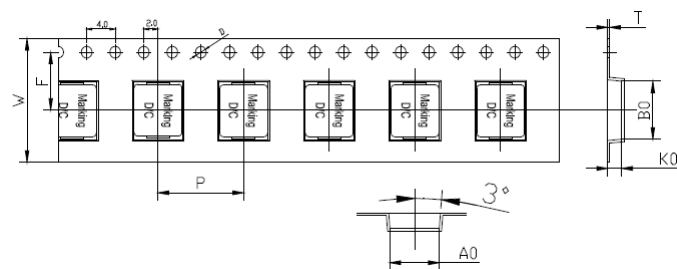


Type	Packaging Quantity	Tape Width	Reel Diameter	A (mm)	B (mm)	C (mm)	D (mm)
SDE0420	3000	12mm	13 inch	12.4+2/-0	100±2	13+0.5/-0.2	330
SDE0530	2000	12mm	13 inch	12.4+2/-0	100±2	13+0.5/-0.2	330
SDE0630	1000	16mm	13 inch	16.4+2/-0	100±2	13+0.5/-0.2	330
SDE0650	800	16mm	13 inch	16.4+2/-0	100±2	13+0.5/-0.2	330
SDE1040	500	24mm	13 inch	24.4+2/-0	100±2	13+0.5/-0.2	330
SDE1050	500	24mm	13 inch	24.4+2/-0	100±2	13+0.5/-0.2	330
SDE1265	500	24mm	13 inch	24.4+2/-0	100±2	13+0.5/-0.2	330
SDE1770	200	32mm	13 inch	32.4+2/-0	100±2	13+0.5/-0.2	330

Tape Specifications



Type	B0 (mm)	A0 (mm)	K0 (mm)	P (mm)	W (mm)	F (mm)	T (mm)
SDE0420	5.0±0.1	4.4±0.1	2.3±0.1	8.0±0.1	12.0±0.3	5.5±0.1	0.35±0.05



Type	B0 (mm)	A0 (mm)	K0 (mm)	P (mm)	W (mm)	F (mm)	T (mm)	D (mm)
SDE0530	6.2±0.1	5.5±0.1	3.3±0.1	8.0±0.1	12.0±0.3	5.5±0.1	0.35±0.05	1.5±0.1
SDE0630	7.7±0.1	7.0±0.1	3.3±0.1	12.0±0.1	16.0±0.3	7.5±0.1	0.35±0.05	1.5±0.1
SDE0650	7.7±0.1	7.0±0.1	5.3±0.1	12.0±0.1	16.0±0.3	7.5±0.1	0.35±0.05	1.5±0.1
SDE1040	11.6±0.1	10.4±0.1	4.5±0.1	16.0±0.1	24.0±0.3	11.5±0.1	0.35±0.05	1.5±0.1
SDE1050	11.6±0.1	10.4±0.1	5.3±0.1	16.0±0.1	24.0±0.3	11.5±0.1	0.35±0.05	1.5±0.1



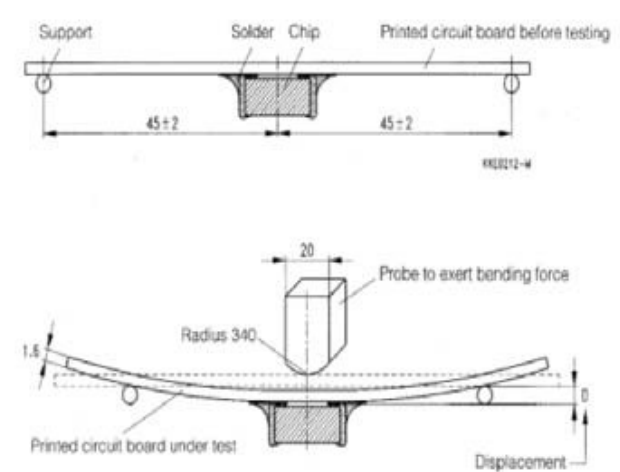
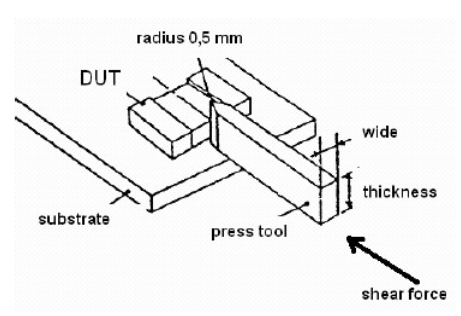
**SMD Power Inductor**

**Environmental Characteristics**

Item	Requirement	Test Method															
High temperature exposure (storage)	Appearance : No damage. Inductance : within±10% of initial value RDC : within ±15% of initial value and shall not exceed the specification value	Preconditioning: Run through IR reflow for 2 times. IPC/JEDEC J-STD-020D Classification Reflow Profiles Temperature : 125±2°C (Inductor) Duration : 1000hrs Min. Measurement at 24±4 hours after test conclusion															
Temperature cycling		Preconditioning: Run through IR reflow for 2 times. IPC/JEDEC J-STD-020D Classification Reflow Profiles Condition for 1 cycle Step1 : -55±2°C 30min Min.(Inductor) Step2 : 125±2°C transition time 1min MAX. Step3 : 125±2°C 30min Min. Step4 : Low temp. transition time 1min MAX. Number of cycles : 1000 Measured at room temperature after placing for 24±2 hrs															
Biased Humidity		Preconditioning: Run through IR reflow for 2 times. IPC/JEDEC J-STD-020D Classification Reflow Profiles Humidity : 85±3% R.H, Temperature : 85°C ±2°C Duration : 1000hrs Min. Measured at room temperature after placing for 24±2hrs															
High Temperature Operational Life		Preconditioning: Run through IR reflow for 2 times. IPC/JEDEC J-STD-020D Classification Reflow Profiles Temperature : 125±2°C (Inductor) Duration : 1000hrs Min. with 100% rated current. Measured at room temperature after placing for 24±2hrs															
External Visual		Appearance : No damage	Inspect device construction, marking and workmanship. Electrical Test not required.														
Physical Dimension	According to the product specification size measurement	According to the product specification size measurement															
Resistance to Solvents	Appearance : No damage	Add aqueous wash chemical - OKEM clean or equivalent															
Mechanical Shock	Appearance : No damage. Inductance : within±10% of initial value RDC : within ±15% of initial value and shall not exceed the specification value	<table border="1"> <thead> <tr> <th>Type</th> <th>Peak value (g's)</th> <th>Normal duration (D) (ms)</th> <th>Wave form</th> <th>Velocity change (Vi)ft/sec</th> </tr> </thead> <tbody> <tr> <td>SDM</td> <td>100</td> <td>6</td> <td>Half-sine</td> <td>12.3</td> </tr> <tr> <td>Lead</td> <td>100</td> <td>6</td> <td>Half-sine</td> <td>12.3</td> </tr> </tbody> </table> shocks in each direction along 3 perpendicular axes	Type	Peak value (g's)	Normal duration (D) (ms)	Wave form	Velocity change (Vi)ft/sec	SDM	100	6	Half-sine	12.3	Lead	100	6	Half-sine	12.3
Type		Peak value (g's)	Normal duration (D) (ms)	Wave form	Velocity change (Vi)ft/sec												
SDM		100	6	Half-sine	12.3												
Lead	100	6	Half-sine	12.3													
Vibration	IPC/JEDEC J-STD-020D Classification Reflow Profiles Oscillation Frequency: 10Hz~2KHz~10Hz for 20 minute Equipment: Vibration checker Total Amplitude: 5g Testing Time : 12 hours(20 minutes, 12 cycles each of 3 orientations).																
Resistance to soldering Heat	Test condition:(MIL-STD-202 Condition) Number of heat cycles:3																
		<table border="1"> <thead> <tr> <th>Temperature(°C)</th> <th>Time(s)</th> <th>Temperature ramp/immersion and emersion rate</th> </tr> </thead> <tbody> <tr> <td>260±5(solder temp)</td> <td>30±5</td> <td>1°C/s-4°C/s; time above183°C ,90s-120s</td> </tr> </tbody> </table>	Temperature(°C)	Time(s)	Temperature ramp/immersion and emersion rate	260±5(solder temp)	30±5	1°C/s-4°C/s; time above183°C ,90s-120s									
Temperature(°C)	Time(s)	Temperature ramp/immersion and emersion rate															
260±5(solder temp)	30±5	1°C/s-4°C/s; time above183°C ,90s-120s															
Thermal shock		Preconditioning: Run through IR reflow for 2 times. IPC/JEDEC J-STD-020D Classification Reflow Profiles Condition for 1 cycle Step1 : -55±2°C 15±1min(Inductor) Step2 : 125±2°C within 20Sec. Step3 : 125±2°C 15±1min Number of cycles : 300 Measured at room temperature after placing fo24±2hrs															
ESD	Appearance : No damage																



**SMD Power Inductor**

<p>Solderability</p>	<p>More than 95% of the terminal electrode should be covered with solder</p>	<p>a. Method B, 4 hrs @155°C dry heat @235°C±5°C                  b. Method B @ 215°C±5°C category 3.(8hours ± 15 min)                  c. Method D category 3. (8hours ± 15 min)@ 260°C±°C                  Preheat: 150°C ,60sec.                  Solder: Sn96.5% Ag3% Cu0. 5%                  Temperature: 245±5°C °                  Flux for lead free: Rosin. 9.5% °                  Dip time: 4±1sec.                  Depth: completely cover the termination</p>
<p>Electrical Characterization</p>	<p>Refer Specification for Approval</p>	<p>Summary to show Min, Max, Mean and Standard deviation</p>
<p>Flammability</p>	<p>Electrical Test not required</p>	<p>V-0 or V-1 are acceptable</p>
<p>Board Flex</p>	<p>Appearance : No damage</p>	<p>Preconditioning: Run through IR reflow for 2 times.                  IPC/JEDEC J-STD-020D Classification Reflow Profiles                  Place the 100mm X 40mm board into a fixture similar to the one shown in below Figure with the component facing down. The apparatus shall consist of mechanical means to apply a force which will bend the board (D) x = 2 mm minimum. The duration of the applied forces shall be 60 (+ 5) sec. The force is to be applied only once to the board</p> 
<p>Terminal Strength(SMD)</p>	<p>Appearance : No damage</p>	<p>Preconditioning: Run through IR reflow for 2 times.                  IPC/JEDEC J-STD-020D Classification Reflow Profiles                  With the component mounted on a PCB with the device to be tested, apply a 17.7 N (1.8 Kg) force to the side of a device being tested.                  This force shall be applied for 60 +1 seconds. Also the force shall be applied gradually as not to apply a shock to the component being tested</p> 

Note : When there are questions concerning measurement result : measurement shall be made after 48 ± 2 hours of recovery under the standard condition