



WINSTAR Display Co.,Ltd.
華凌光電股份有限公司

SPECIFICATION

MODULE NO.: WO1602J(VATN)

General Specification

Item	Dimension	Unit
Number of Characters	16 characters x 2 Lines	—
Module dimension	74.2x 25.2 x6.3	mm
View area	61.0 x 15.1	mm
Active area	56.2 x 11.5	mm
Dot size	0.55 x 0.65	mm
Dot pitch	0.60 x 0.70	mm
Character size	2.95 x 5.55	mm
Character pitch	3.55 x 5.95	mm
Duty	1/17duty , 1/5 Bias	
Backlight Type	LED	
IC	ST7028-1A	
Interface	I2C	

Absolute Maximum Ratings

Item	Symbol	Min	Typ	Max	Unit
Operating Temperature	TOP	-20	—	+70	°C
Storage Temperature	TST	-30	—	+80	°C
Power Supply Voltage	VDD	-0.3	—	4.0	V
Supply Voltage For LCD Drive	VOP=V0-VSS	-0.3	—	13.0	V
Input voltage range	VIN	-0.3	—	VDD+0.3	V

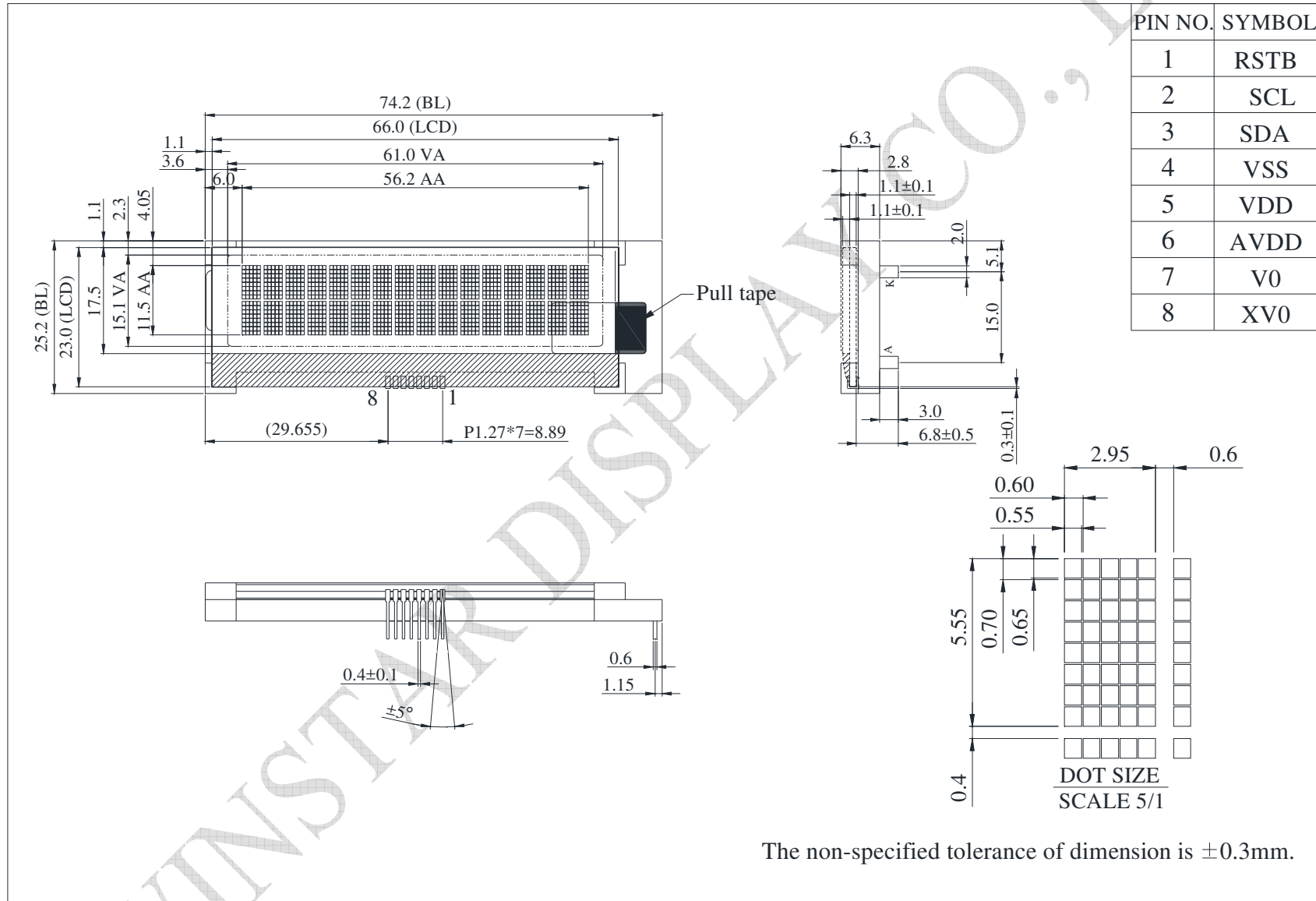
Electrical Characteristics

Item	Symbol	Condition	Min	Typ	Max	Unit
Supply Voltage For Logic	V _{DD} -V _{SS}	—	3	3.3	3.6	V
Supply Voltage For LCD	V _{op}	Ta=-20°C	—	—	—	V
		Ta=25°C	6.8	7.0	7.2	V
		Ta=70°C	—	—	—	V
Input High Volt.	V _{IH}	—	0.7 V _{DD}	—	V _{DD}	V
Input Low Volt.	V _{IL}	—	—	—	0.2 V _{DD}	V
Output High Volt.	V _{OH}	—	0.8 V _{DD}	—	V _{DD}	V
Output Low Volt.	V _{OL}	—	—	—	0.2V _{DD}	V
Supply Current	I _{DD}	—	—	—	1.5	mA

Interface Pin Function

Pin	Symbol	Function Description
1	RSTB	External reset pin
2	SCL	Serial clock input
3	SDA	Serial Data signal
4	VSS	Ground
5	VDD	Power supply
6	AVDD	AVDD is the source of VG regulator.
7	V0	V0 is the LCD driving voltage for common circuits at negative frame.
8	XV0	XV0 is the LCD driving voltage for common circuits at positive frame.

Contour Drawing



The non-specified tolerance of dimension is ±0.3mm.