
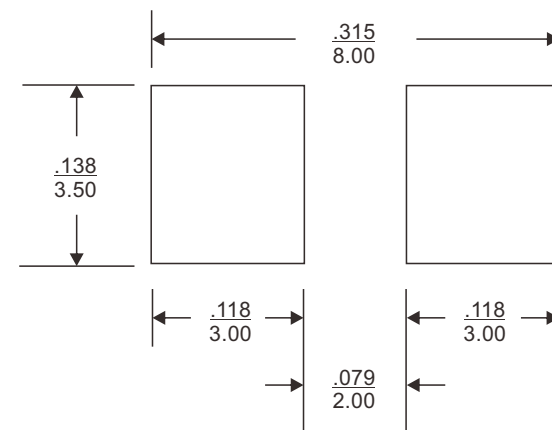
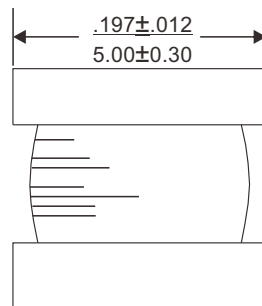
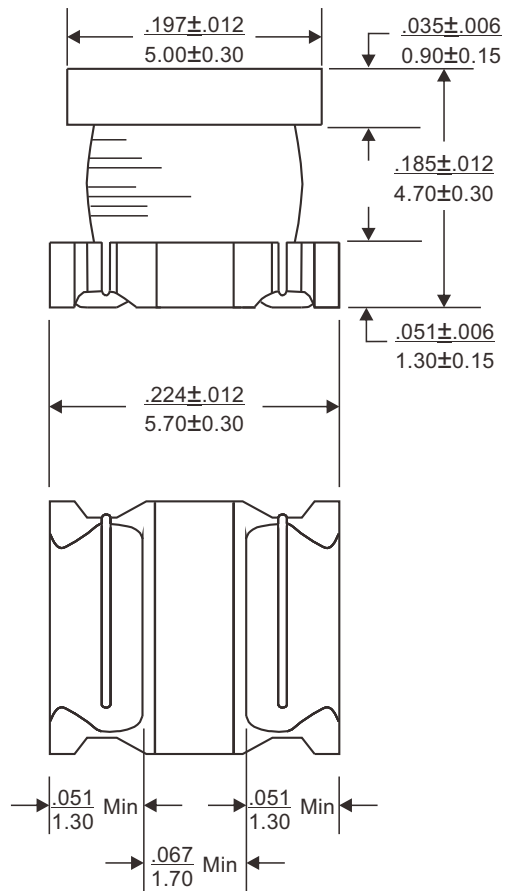


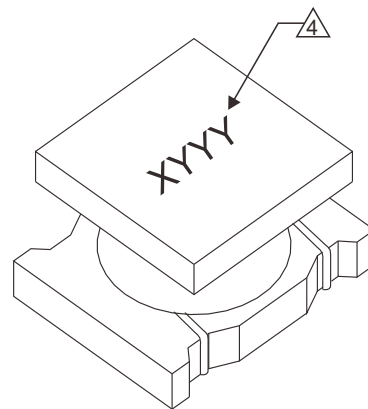
REVISIONS			
REV.	DESCRIPTION	ECN NO.	DATE
03	UPDATE RoHS COMPLIANT VERSION DESCRIPTION	EE6491	05/03/05
04	ADD NOTES FOR SELF-RESONANT FREQUENCY	EE6701	06/03/05
05	UPDATE SPECIFICATION PER ACTUAL SAMPLE	EE7145	08/12/05
06	UPDATE DRAWING	EE7393	10/04/05
07	UPDATE INTERNAL PAGE	EE7909	03/13/06
08	UPDATE INTERNAL DRAWING	EE8134	05/16/06
09	ADD THE DIMENSION AND TOLERANCE OF TERMINAL AND OTHER	EE14003	08/28/12
10	UPDATE INTERNAL DRAWING	EE14665	06/11/13

PAGE 4 IS FOR INTERNAL USE ONLY

PART NUMBER		PART DESCRIPTION		TITLE														
UISH5057X-YYY		Standard version, with Lead(Pb)		INDUCTOR, WIRE WOUND, POWER, LEADED, SMD														
UISH5057X-YYYY		RoHS compliant per EU Directive 2002/95/EC(without exemption of solder content)																
<p align="center">WARNING !</p> <p>ALL SHEETS OF THIS DOCUMENT ARE CONTROLLED DOCUMENTATION AND ARE NOT TO BE RELEASED OUTSIDE OF E&E OR ITS SUB-CONTRACTORS WITHOUT AUTHORIZATION.</p>	<p>UNLESS OTHERWISE SPECIFIED, DIMENSIONS ARE IN INCH/mm.</p> <p align="center">TOLERANCE ARE:</p> <table border="0"> <tr> <td>INCH</td> <td>mm</td> <td>ANGLE</td> </tr> <tr> <td>.XXX ± .005</td> <td>.XX ± 0.13</td> <td>X.X ± 0.3</td> </tr> <tr> <td>.XX ± .02</td> <td>.X ± 0.5</td> <td>X. ± 1</td> </tr> </table>	INCH	mm	ANGLE	.XXX ± .005	.XX ± 0.13	X.X ± 0.3	.XX ± .02	.X ± 0.5	X. ± 1	APPROVALS	DATE	 <p>E & E Magnetic Products Ltd.</p> <table border="1"> <tr> <td>DRAWING NO./MODEL</td> <td>REV</td> </tr> <tr> <td align="center">UISH5057X-YYY</td> <td align="center">10</td> </tr> </table>		DRAWING NO./MODEL	REV	UISH5057X-YYY	10
		INCH	mm	ANGLE														
		.XXX ± .005	.XX ± 0.13	X.X ± 0.3														
		.XX ± .02	.X ± 0.5	X. ± 1														
		DRAWING NO./MODEL	REV															
UISH5057X-YYY	10																	
DRAWN BY																		
PROJ. ENG																		
APPROVED BY																		
Q.A.																		
		SCALE	PAGE	OF														
		DO NOT SCALE	1	OF	4													



Recommended Pad Layout



MECHANICAL OUTLINE

1. Dimensions are specified in $\frac{\text{inches}}{\text{mm}}$ with higher precedence in mm.

2. Unless otherwise specified, all tolerances are $\pm \frac{.010}{0.25}$.

3. Coplanarity: $\frac{.004}{0.10}$ max.

4. For RoHS compliant version, UISH5057X-YYYYF, the part will be marked with "YYYYF", instead of "XXXX".



E & E Magnetic Products Ltd.

DRAWING NO./MODEL

UISH5057X-YYY

REV

10

SCALE

DO NOT SCALE

PAGE

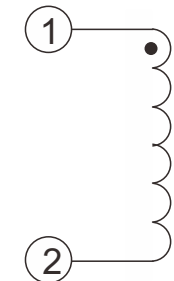
2

OF

4

ELECTRICAL SPECIFICATION @25°C:

E & E Part Number UISH5057X-YYY	Inductance		Inductance Tolerance M	SRF (MHz) Typ.	DCR () Max.	Rated DC Current (mA)	Marking (YYYY)
	Ls (uH)	Test Freq. (Hz)					
UISH5057M-R12	0.12	1M	±20	450	9.8m	6000	MR12
UISH5057M-R27	0.27	1M	±20	300	14.0m	5300	MR27
UISH5057M-R47	0.47	1M	±20	200	18.2m	4800	MR47
UISH5057M-1R0	1.0	1M	±20	150	26.6m	4000	M1R0
UISH5057M-1R5	1.5	1M	±20	110	30.8m	3700	M1R5
UISH5057M-2R2	2.2	1M	±20	80	40.6m	3200	M2R2
UISH5057M-3R3	3.3	1M	±20	40	50.4m	2900	M3R3
UISH5057M-4R7	4.7	1M	±20	30	57.4m	2700	M4R7
UISH5057M-6R8	6.8	1M	±20	25	0.104	2000	M6R8
UISH5057M-100	10	1M	±20	20	0.13	1700	M100
UISH5057M-150	15	1M	±20	17	0.21	1400	M150
UISH5057M-220	22	1M	±20	15	0.266	1200	M220
UISH5057M-330	33	1M	±20	12	0.448	900	M330
UISH5057M-470	47	1M	±20	10	0.56	800	M470
UISH5057M-680	68	1M	±20	7.6	0.94	640	M680
UISH5057M-101	100	100k	±20	6.5	1.204	560	M101
UISH5057M-151	150	100k	±20	5.0	2.66	420	M151
UISH5057M-221	220	100k	±20	4.0	3.36	320	M221
UISH5057M-331	330	100k	±20	3.1	6.16	270	M331
UISH5057M-471	470	100k	±20	2.4	7.56	240	M471
UISH5057M-681	680	100k	±20	1.9	11.34	190	M681
UISH5057M-102	1000	10k	±20	1.7	14.42	150	M102
UISH5057M-222	2200	10k	±20	1.2	30.1	100	M222
UISH5057M-472	4700	10k	±20	0.8	61.04	70	M472
UISH5057M-103	10000	10k	±20	0.5	140	50	M103



SCHEMATIC

5. Add the tolerance code of inductance by replacing "X" of the part number by: M=±20%.

6. Test frequency is specified as the frequency for measuring the inductance.

7. Self-resonant frequency is for reference only.

8. Operating temperature range: -25°C to +85°C.



E & E Magnetic Products Ltd.

DRAWING NO./MODEL

UISH5057X-YYY

REV

10

SCALE

DO NOT SCALE

PAGE

OF

3

4