



RCA1913 SERIES ROCKER SWITCH



SPECIFICATIONS

Electrical Rating: 16(8)A, 125/250VAC
 10(4)A, 125/250VAC
 16A, 30VDC

Electrical Life: 10,000 Cycles

Contact Resistance: 20mΩ Max.

Insulation Resistance: 100MΩ Min. at 500VDC

Dielectric Strength: 1,500VAC for 1 minute

Ingress Protection: Full IP68

Panel Cutout: 19 x 13mm panel cutout

Contact Arrangement: SPST, SPDT

Base Material: Nylon 66 UL94V-2

Actuator: PC/Nylon66 UL94V-2

Operating/Storage Temperature: 0°C to 55°C

FEATURES & BENEFITS

SPST and SPDT
19mm x13mm panel cutout
Multiple termination options
Full IP68
UL File Number E194579
ENEC License ENEC-05335-A1
Soldered wire leads (300mm long) optional

PART NUMBER CONFIGURATOR

Series



RCA1913

Terminal



F - Quick Connect - 0.187"
S - Solder
P - PC Pin
R - PC Pin, Right Angle
W - Wire Leads 300mm

Function



1 - On-Off
2 - On-On
3 - On-Off-On

Rating



A - 16(8)A
 125/250VAC~T55
B - 10(4)A
 125/250V~T55
C - 16A
 30VDC T55

Body Color



BLK - Black
WHT - White

Actuator Color



BLK - Black
RED - Red
WHT - White

Marking Color



N - None
BLK - Black
WHT - White

Marking Type

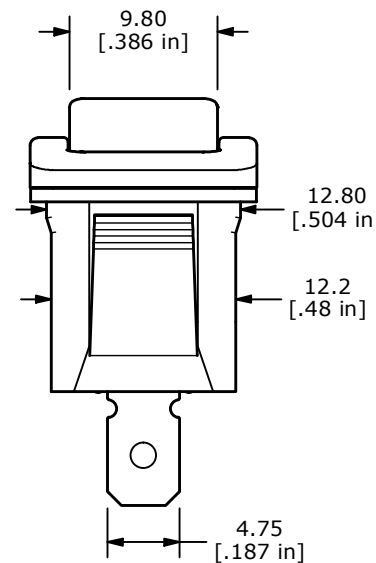
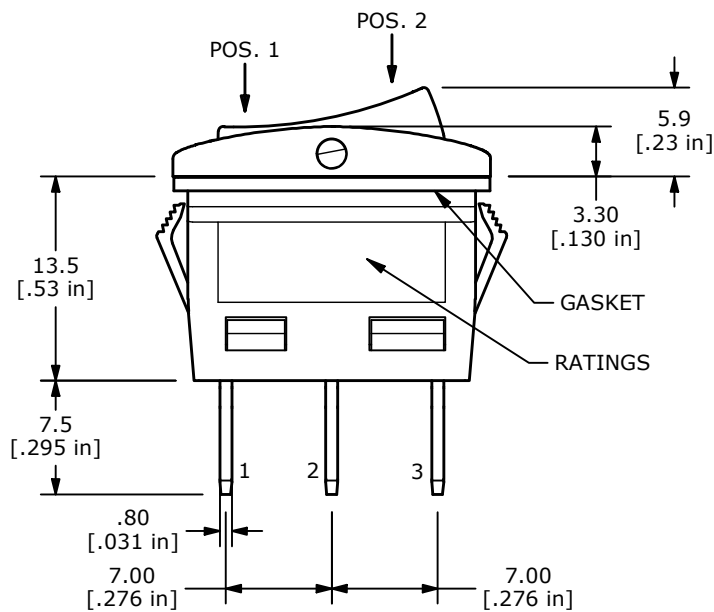
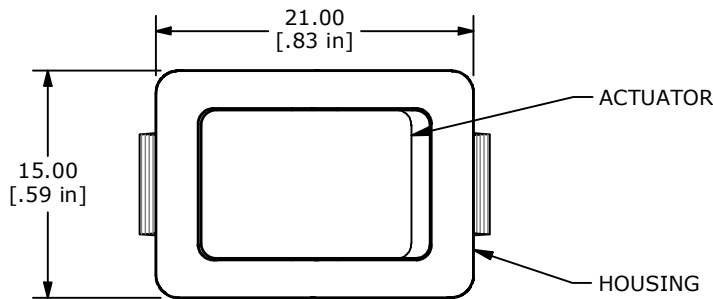
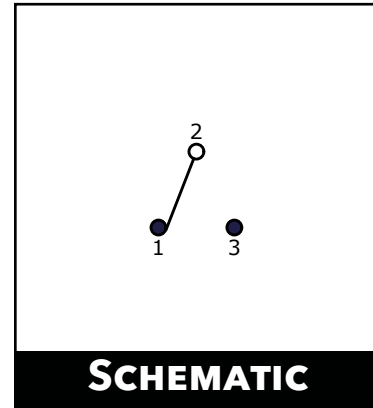
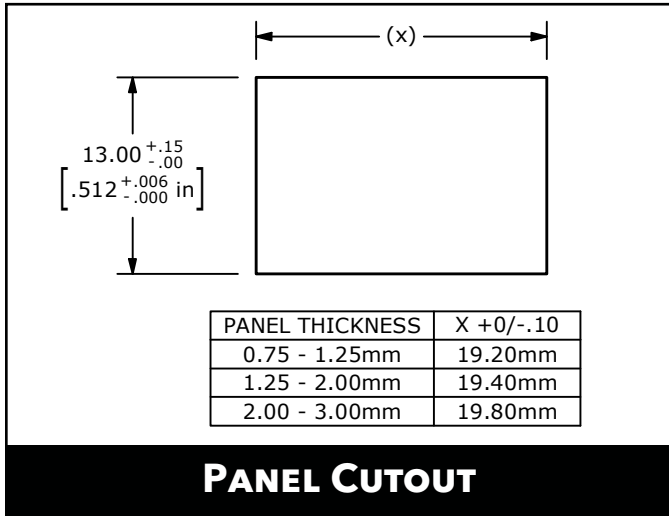


N - None
1 - Hi/Lo
2 - On/Off
3 - I/O Vert.
4 - I/O Horz.
5 - •



RCA1913 SERIES ROCKER SWITCH - BODY DIMENSIONS

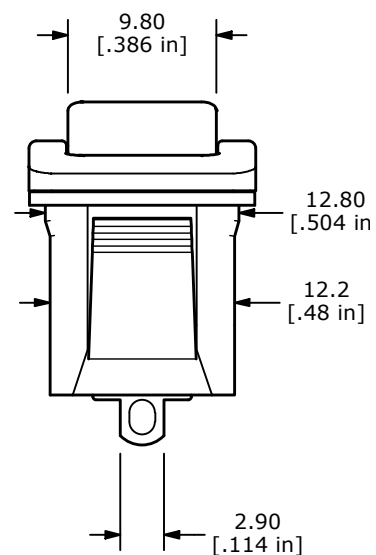
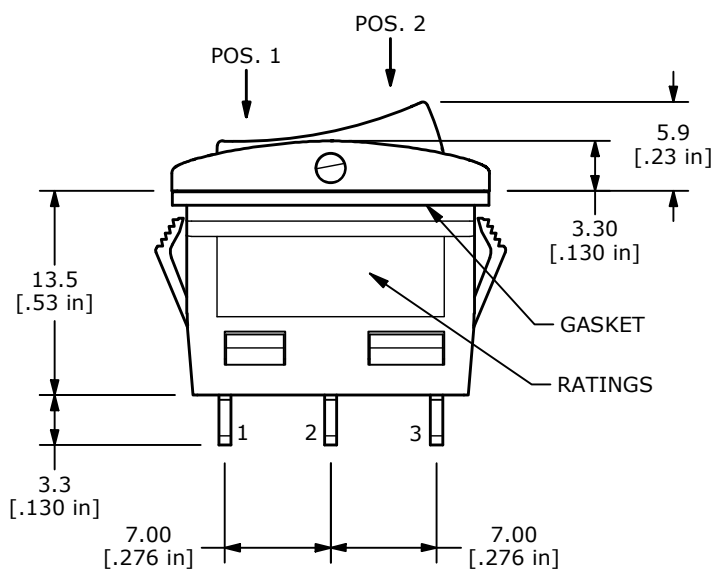
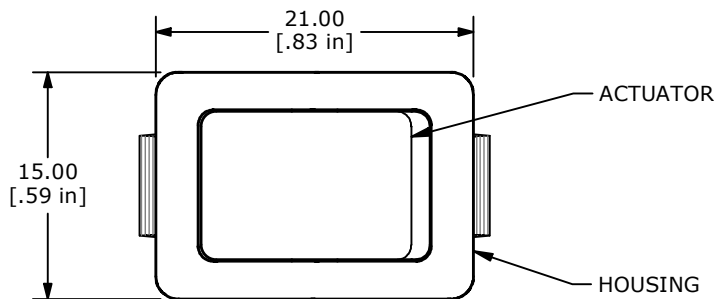
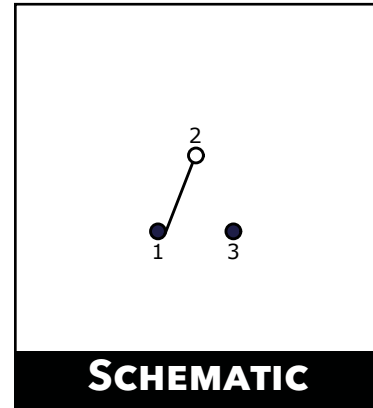
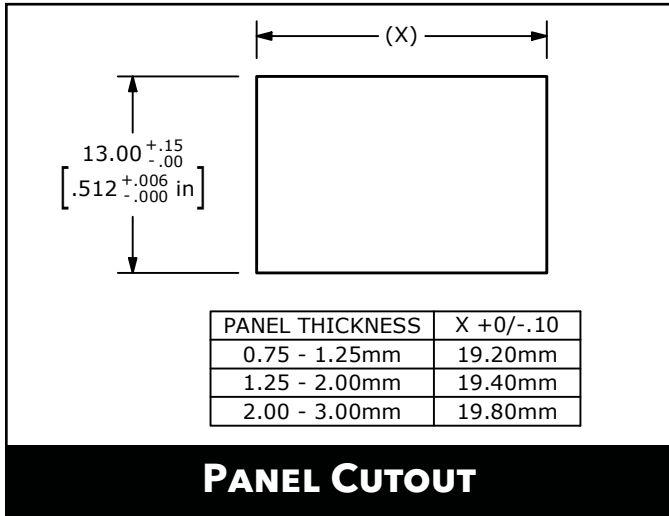
QUICK CONNECT 0.187" TERMINAL





RCA1913 SERIES ROCKER SWITCH - BODY DIMENSIONS

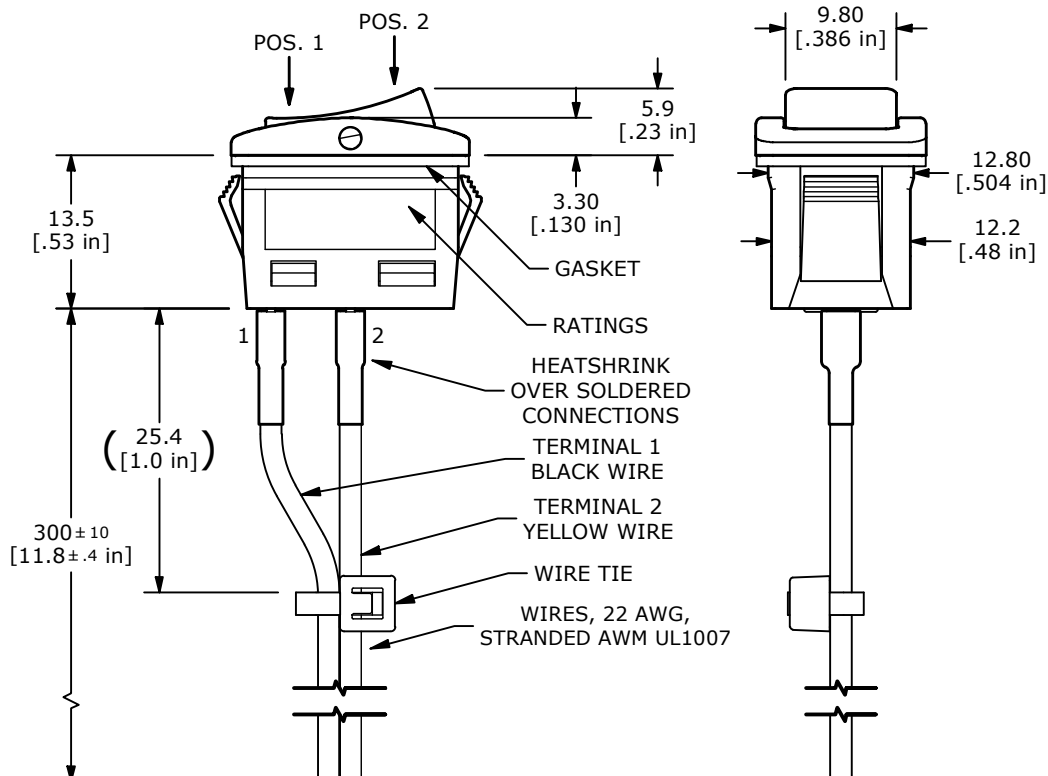
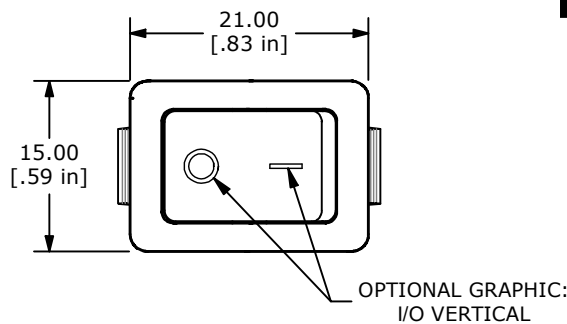
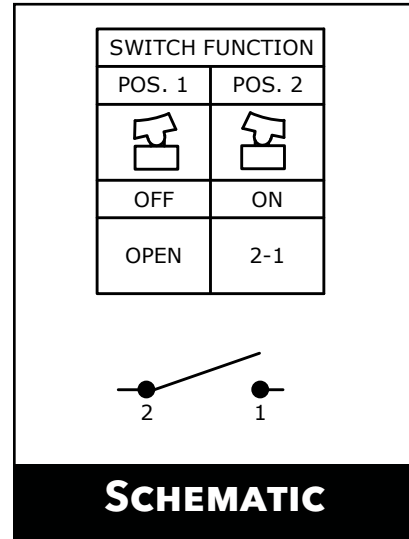
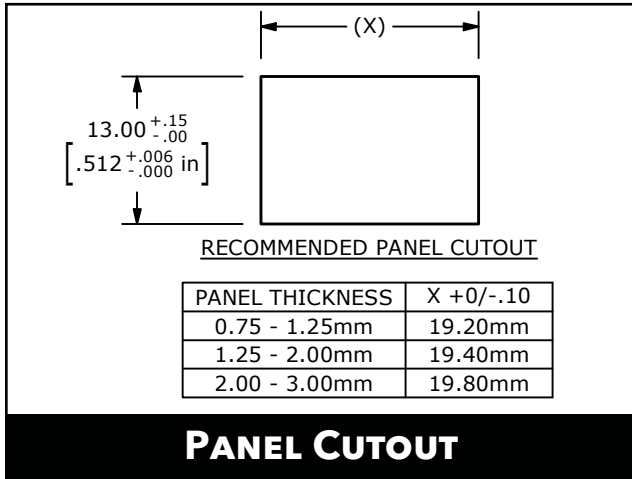
SOLDER TERMINAL





RCA1913 SERIES ROCKER SWITCH - BODY DIMENSIONS

WIRED LEADS - NON-ILLUMINATED





RCA1913 SERIES ROCKER SWITCH - BODY DIMENSIONS

WIRED LEADS - ILLUMINATED

