

Features

- SMT reflow soldering process available
- Small-sized, large capacity and low ESR
- Wide operating temperature range(-40~70°C)
- RoHS compliant

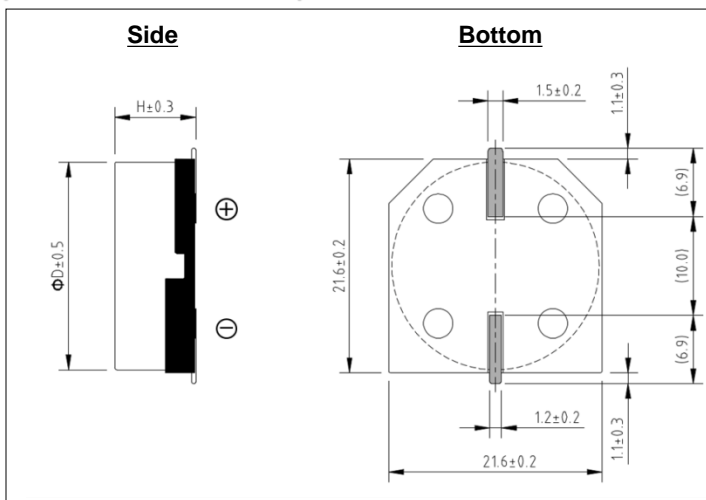
Applications

- Memory or Real time clock(RTC) back-up for Meters, Industrial Controllers, Home Appliances, EV Chargers, Solar Inverters, Smart Home Device, etc.

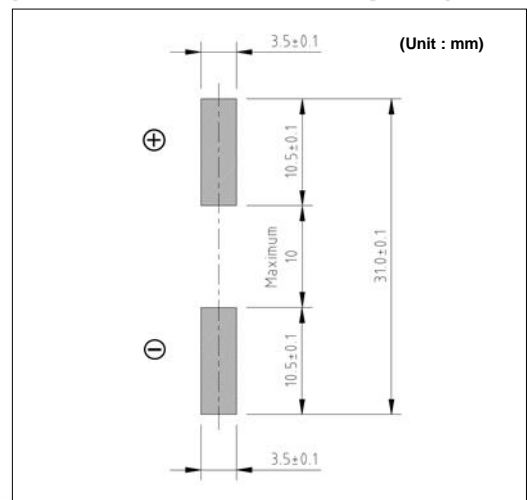
Specifications

Items	Characteristics
Maximum operating voltage	5.5VDC
Operating temperature	-40 to +70°C
Nominal Cap. range	1.0F / 1.5F
Capacitance tolerance	-20% to +80%(at 25°C)
Characteristics at Low temperature(-40°C)	Capacitance change : ≤ 50% of the initial value at +25°C Internal resistance : Less than eight(8) times of the initial value at +25°C
Endurance	After 1,000hours application of rated DC working voltage at +70°C, the capacitor shall meet the following limits. <ul style="list-style-type: none"> • Capacitance change : ±30% of the initial value • Internal resistance : Less than four times of the spec. value
Shelf life	After 1,000hours storage at +70°C without load, the capacitor shall meet the specified limit for "Endurance"

Dimensions in mm



Recommendable PCB Layout



Product List

Part Number	Operating Voltage (V)	Capacitance (F)	ESR (Ω , @1kHz)	Size(mm)	
				ΦD	H
DCLR5R5105	5.5	1.0	≤ 30	20.5	8.2
DCLR5R5155		1.5	≤ 30	20.5	8.2

Features

- SMT reflow soldering process available
- Small-sized, large capacity and low ESR
- Wide operating temperature range(-40~85°C)
- RoHS compliant

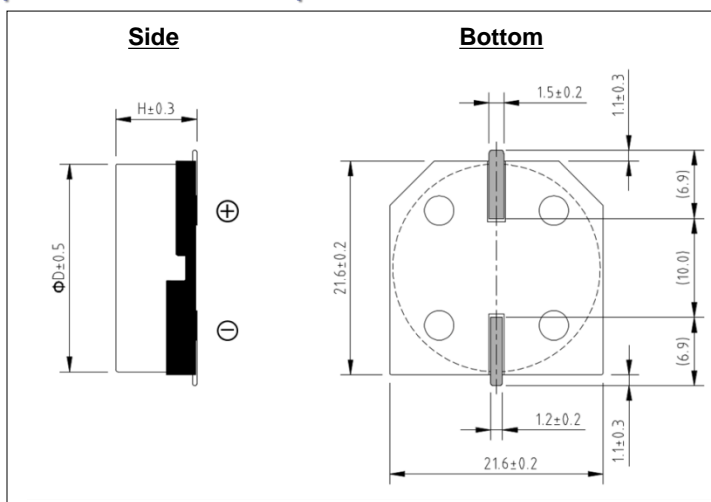
Applications

- Memory or Real time clock(RTC) back-up for Meters, Industrial Controllers, Home Appliances, EV Chargers, Solar Inverters, Smart Home Device, etc.

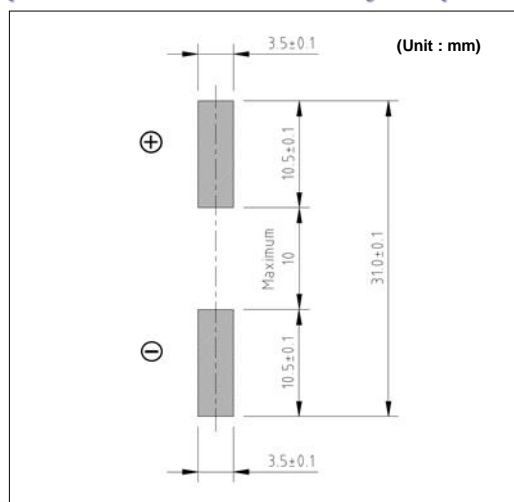
Specifications

Items	Characteristics
Maximum operating voltage	3.6VDC
Operating temperature	-40 to +85°C
Nominal Cap. range	1.0F / 1.5F
Capacitance tolerance	-20% to +80%(at 25°C)
Characteristics at Low temperature(-40°C)	Capacitance change : ≤ 50% of the initial value at +25°C Internal resistance : Less than eight(8) times of the initial value at +25°C
Endurance	After 1,000hours application of rated DC working voltage at +85°C, the capacitor shall meet the following limits. <ul style="list-style-type: none"> • Capacitance change : ±30% of the initial value • Internal resistance : Less than four times of the spec. value
Shelf life	After 1,000hours storage at +85°C without load, the capacitor shall meet the specified limit for "Endurance"

Dimensions in mm



Recommendable PCB Layout



Product List

Part Number	Operating Voltage (V)	Capacitance (F)	ESR (Ω , @1kHz)	Size(mm)	
				ΦD	H
DCLR3R6105T	3.6	1.0	≤ 30	20.5	8.2
DCLR3R6155T		1.5	≤ 30	20.5	8.2

Features

- SMT reflow soldering process available
- Small-sized, large capacity and low ESR
- Wide operating temperature range(-40~85°C)
- RoHS compliant

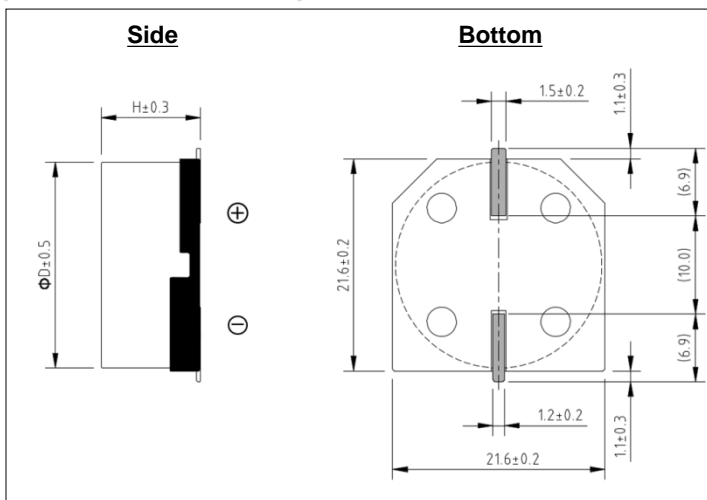
Applications

- Memory or Real time clock(RTC) back-up for Meters, Industrial Controllers, Home Appliances, EV Chargers, Solar Inverters, Smart Home Device, etc.

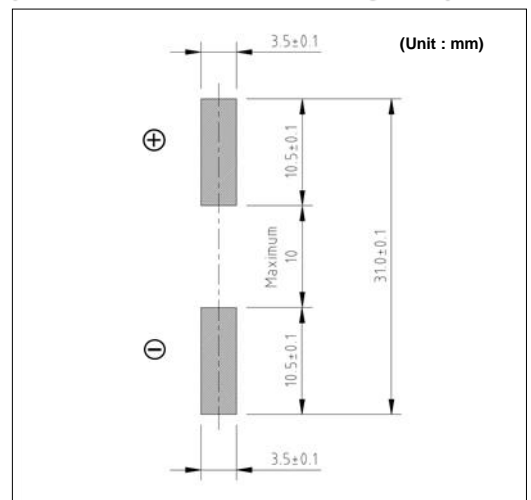
Specifications

Items	Characteristics
Maximum operating voltage	5.5VDC
Operating temperature	-40 to +85°C
Nominal Cap. range	0.68F / 1.0F
Capacitance tolerance	-20% to +80%(at 25°C)
Characteristics at Low temperature(-40°C)	Capacitance change : ≤ 50% of the initial value at +25°C Internal resistance : Less than eight(8) times of the initial value at +25°C
Endurance	After 1,000hours application of rated DC working voltage at +85°C, the capacitor shall meet the following limits. <ul style="list-style-type: none"> • Capacitance change : ±30% of the initial value • Internal resistance : Less than four times of the spec. value
Shelf life	After 1,000hours storage at +85°C without load, the capacitor shall meet the specified limit for "Endurance"

Dimensions in mm



Recommendable PCB Layout



Product List

Part Number	Operating Voltage (V)	Capacitance (F)	ESR (Ω , @1kHz)	Size(mm)	
				ϕD	H
DCLR5R5684T	5.5	0.68	≤ 50	20.5	10.1
DCLR5R5105T	5.5	1.0	≤ 50	20.5	10.1